



EL SERIES • PRODUCT INFORMATION

NOVEMBER 2017



HR30080

Hot Water Hose Reel

The Alemlube EL Series HR30080 Hot Water Hose Reel is a quality hose handling, retrieval and storage system with highly flexible and durable hybrid polymer hose, crimped hose ends, integral carry handle and detachable mounting bracket enabling 180° hose reel rotation.

Manufactured with high density impact resistant and UV stabilised polypropylene covers, the HR30080 features a positive latching system that automatically locks the hose at the desired length and the heavy duty internal spring assembly easily retrieves the hose when partially or fully extended.

Suitable for use in the agricultural, automotive, manufacturing, contractor and transport sectors as well as the food & beverage industry, the HR30080 Hot Water Hose Reel is ideal for safe and efficient cleaning of hard surfaces and further assists in maintaining standards of health and hygiene.

Mountable on the wall or ceiling, the EL Series HR30080 features a constant speed control device ensuring safe and accurate rewinding.

PRODUCT SPECIFICATIONS, FEATURES AND BENEFITS

Constant speed control ensures safe and accurate rewinding

Hose guide system rewinds the hose without kinks

Automatic and positive latching system

Impact resistant UV stabilised polypropylene covers

Working pressure of up to 300psi (20bar)

Working temp -40°C to +60°C

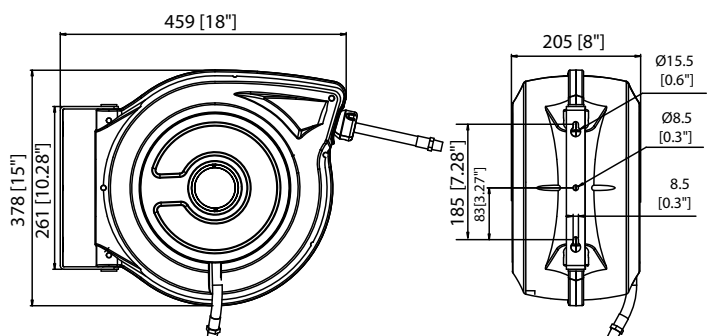
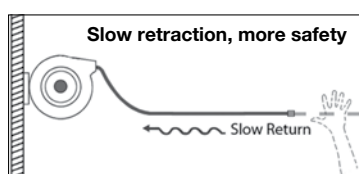
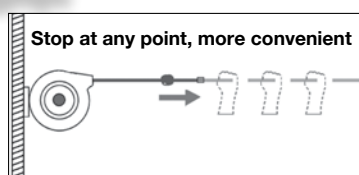
1/2" BSPT inlet & outlet threads

Includes 15m x 12mm ID hybrid polymer hose & 0.9m lead in hose

Can be wall or ceiling mounted

Also available

HR30080C Hot Water Hose Reel with washdown gun



ORDERING INFORMATION

HR30080 Hot Water Hose Reel

