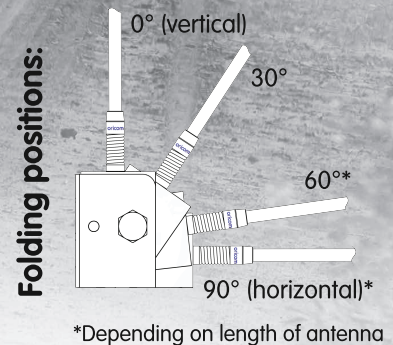


Genuine UHF Accessory

BR600

Folding Bull Bar Antenna Mounting Bracket



- **Designed to suit standard UHF CB and Mobile Phone Antennas**
- **Folds in one of four positions from vertical to horizontal**
- **Features 16mm standard mounting stud**

This folding bracket provides the ability to easily collapse long UHF CB or Mobile Phone antennas when required. Can be mounted on a standard bull bar tab with a 16mm hole or a bull bar antenna bracket.

The bracket can be folded into one of four positions, and is held securely in position with a solid spring loaded locking pin. Made from 304 grade stainless steel with a natural brushed or black chromate finish.

Pack includes a tool to assist with installation.