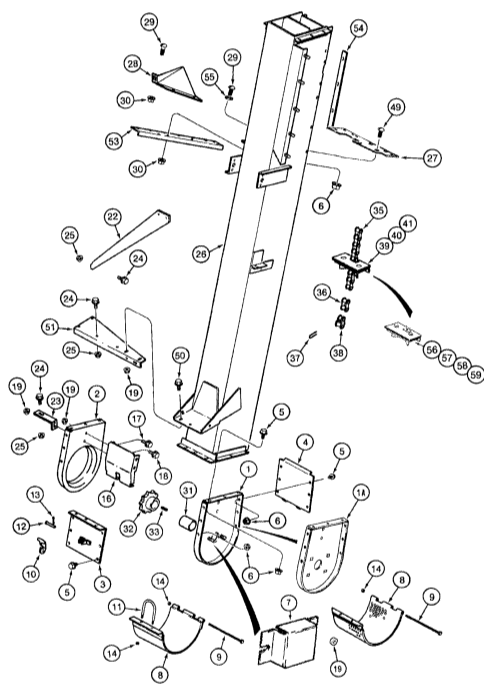


TECHNICAL DRAWING SELECTION



[BACK](#)





Select the Model
2377 - CASE IH AXIAL-FLOW COMBINE (NA)
BTW
HAJ292001 & HAJ300000.
(07/05 - 12/06)

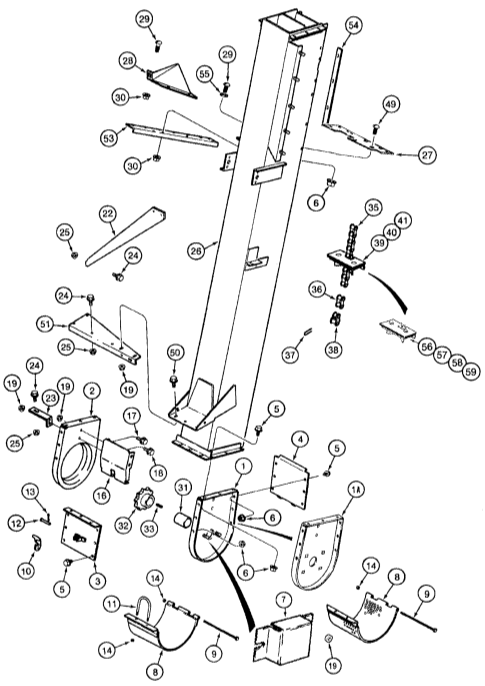
Select Functional Group
16 - GRAIN
ELEVATORS & AUGERS

Select Assembly
09D-02 - GRAIN
ELEVATOR - HOUSING AND BOOT

CONFIRM

TECHNICAL DRAWING SELECTION ✕

[BACK](#)  



Select the Model
2377 - CASE IH AXIAL-FLOW COMBINE (NA)
BTW
HAJ292001 & HAJ300000.
(07/05 - 12/06)

Select Functional Group
16 - GRAIN
ELEVATORS & AUGERS

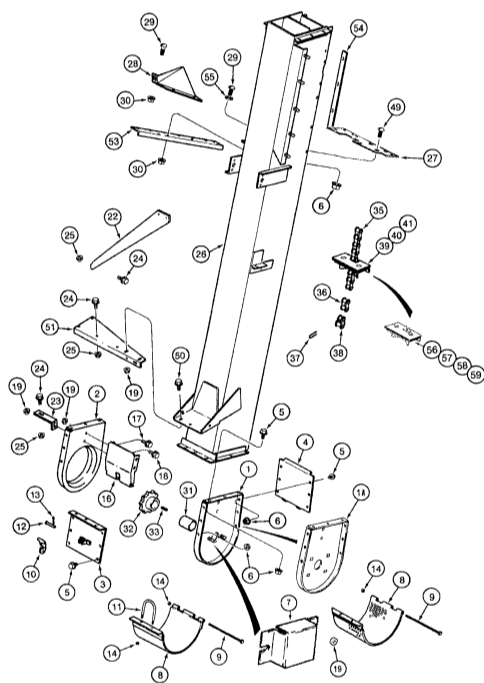
Select Assembly
09D-02 - GRAIN
ELEVATOR - HOUSING AND BOOT

CONFIRM

TECHNICAL DRAWING SELECTION



[BACK](#)



Select the Model
2377 - CASE IH AXIAL-FLOW COMBINE (NA)
BTW
HAJ292001 & HAJ300000.
(07/05 - 12/06)

Select Functional Group
16 - GRAIN
ELEVATORS & AUGERS

Select Assembly
09D-02 - GRAIN
ELEVATOR - HOUSING AND BOOT

CONFIRM