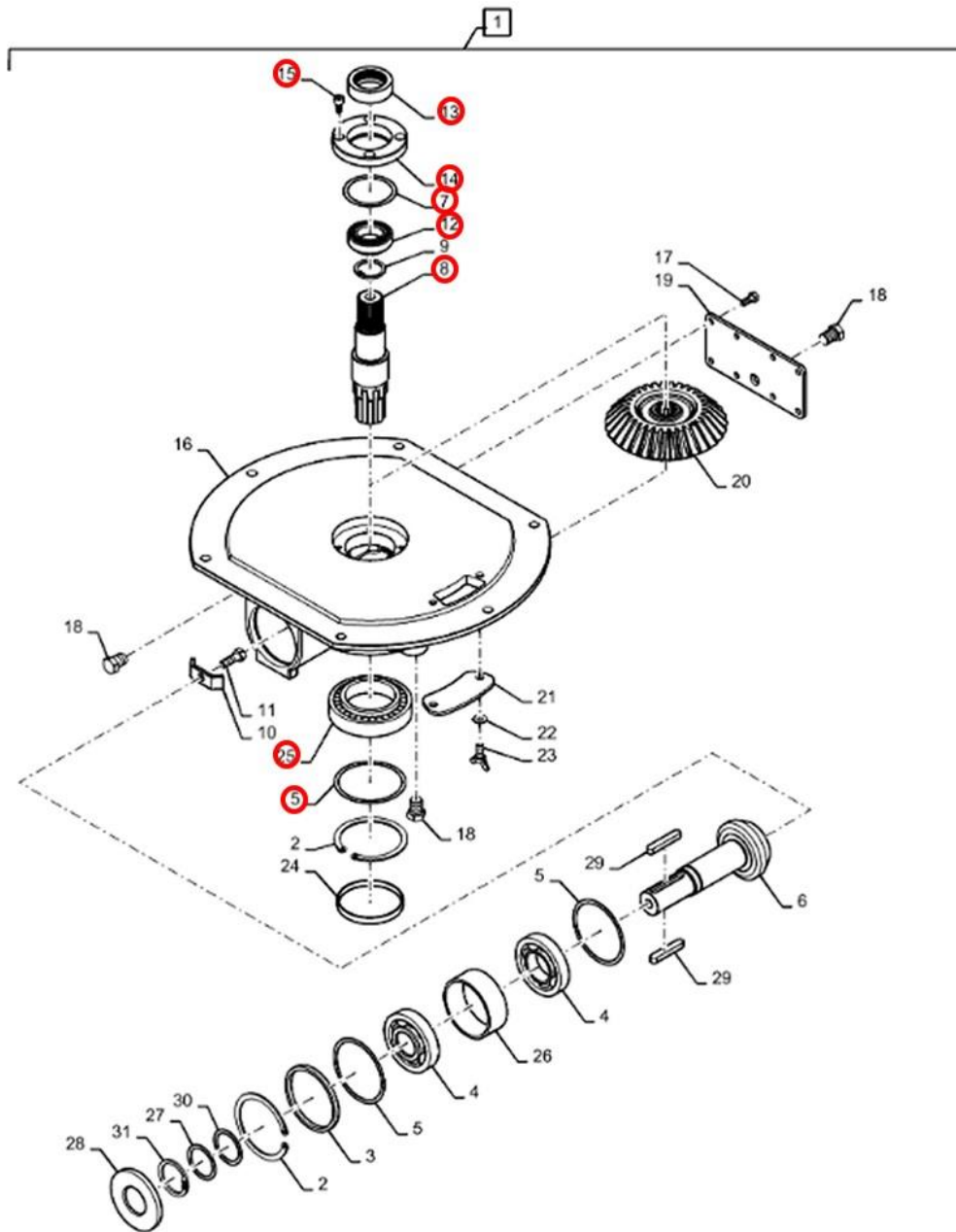


# CM8432005R

CASE REBUILD KIT UNLOAD AUGER STANDARD SPEED LOWER GEARBOX 21SPL OUTPUT SHAFT



Location	Part Number	Description	Qty
#7 #5	86623216	Shim Set (6 shims)	1
#8	86623219	Shaft (21 Spline for standard speed gearbox with circlip groove)	1
#12	86626475	Bearing Assembly	1
#13	86623221	Seal	1
#14	86623222	Flange	1
#15	86566099	Flange Screws	4
#25	87555831	Bearing Assembly	1