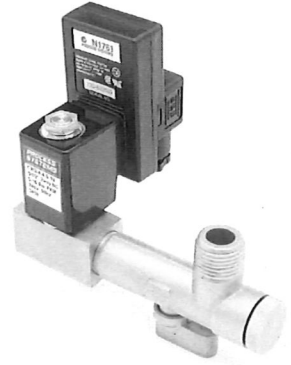




CRD
 Condensate Removal Drain Solenoid Valve

Features:

- Size 1/2" BSP only
- Function Normally Closed (power to open)
- Valve Operation Direct Acting
- Body Brass
- Seat FKM
- Pressure Range 0 to 16 BAR
- Media Nonaggressive media



Description:

The condensate removal drain eliminates the risk of human error by providing a regular controlled system of draining – on time, every time - automatically. The analogue timer is programmable from 0.5 to 10 seconds on and 0 to 45 minutes off. All come standard with isolating ball valve, Y strainer for easy cleaning and coil and DIN plug (IP65). Suitable for draining ring mains, filters, separators, after coolers, dryers, receivers, drip legs and other compressed air systems. Threads conform to ISO 7.1 Sealing Threads.

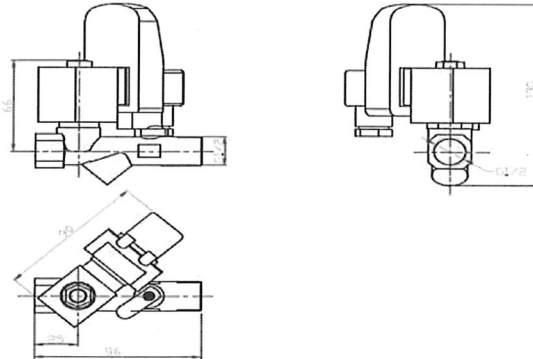
| Model | Port Size (BSP) | Orifice ømm | CV | Media Pressure | Media Temperature | Weight Kg | Coil Specifications |
|---------------|-----------------|-------------|------|----------------|-------------------|-----------|---|
| CRD-4-2.8-*VY | 1/2 | 2.8 | 0.19 | 0 to 40 BAR | -10°C to 100°C | 0.85 | SC-CRD 22 Volt Amps 20 Watts Class H Insulation 100% ED |
| CRD-4-3.5-*VY | 1/2 | 3.5 | 0.27 | 0 to 16 BAR | -10°C to 100°C | 0.85 | |
| CRD-4-4.5-*VY | 1/2 | 4.5 | 0.50 | 0 to 16 BAR | -10°C to 100°C | 0.85 | |

Please note the 3.5mm model has an integrated Y strainer with the solenoid. All others models are separable.

*Voltages available; 12vDC, 24vDC, 24vAC, 110vAC, 240vAC, 415vAC



PROCESS SYSTEMS PTY LTD Phone 1300 887 880
 Email: sales@processsystems.com.au
 Website: www.valvesonline.com.au
 ABN 15 010 932 386

Dimensions:**JAS-ANZ****PROCESS SYSTEMS** PTY LTD

ABN 15 010 932 386

Phone 1300 887 880

Email: sales@processsystems.com.auWebsite: www.valvesonline.com.au**WARNING**

These products are intended for use in industrial applications only. Do not use these products where pressures and temperatures can exceed those listed under 'Technical Data' and in our individual 'Series' data sheets. Before using these products with fluids other than those specified, for non-industrial applications, life-support systems, or other applications not within published specifications, consult Process Systems Pty Ltd. Through misuse, age, or malfunction, components used in industrial valve applications can fail in various modes. The system designer is warned to consider the failure modes of all component parts used in industrial valve applications and to provide adequate safeguards to prevent personal injury or damage to equipment in the event of such failure. System designers must provide a warning to the user in the system instructional manual if protection against a failure mode cannot be adequately provided. System designers and end users are cautioned to review specific warnings or specifications found in instruction sheets or labels packed or attached and shipped with the products. Our policy is one of continuous research and development. We therefore reserve the right to amend without notice the specifications given in this document or our individual 'Series' data sheets.

WARRANTY INFORMATION

All valve series and other products manufactured or distributed by Process Systems Pty. Ltd. are warranted by Process Systems to be free of defects in material and workmanship for a period of 1 year from the date of purchase or as the manufacturer warrants. Process Systems obligation under this warranty is limited to repair or replacement of the defective product or refund of the purchase price paid solely at the discretion of Process Systems and provided such defective product is returned to Process Systems freight prepaid and upon examination by Process Systems such product is found defective. This warranty shall be void in the event that the product has been subject to misuse, misapplication, improper maintenance, modification or tampering. This warranty is expressed in lieu of all other warranties, expressed or implied from Process Systems Pty. Ltd. representatives or employees. Process Systems reserves the right to change Valve and Brochure specifications without notice.

