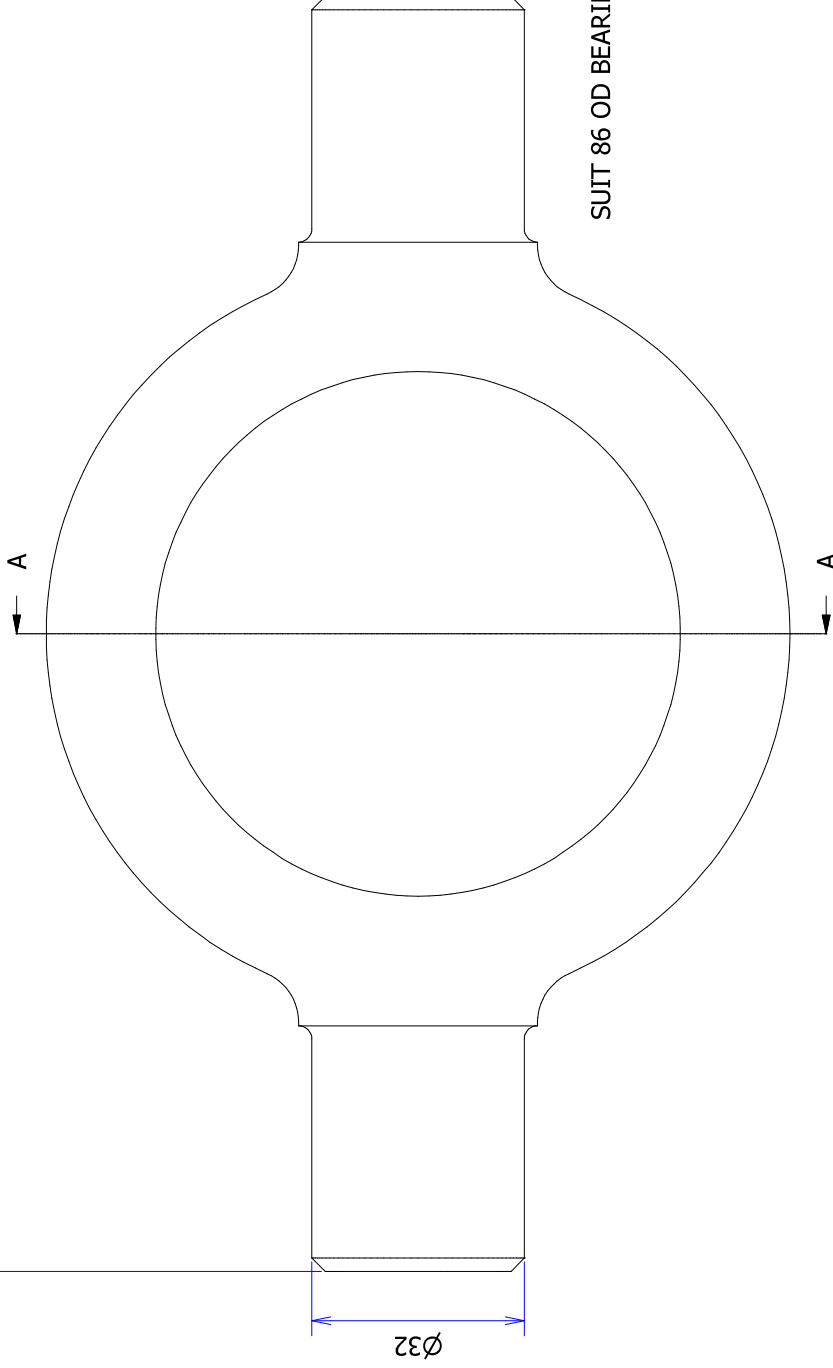
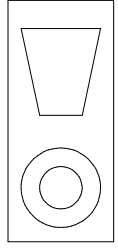
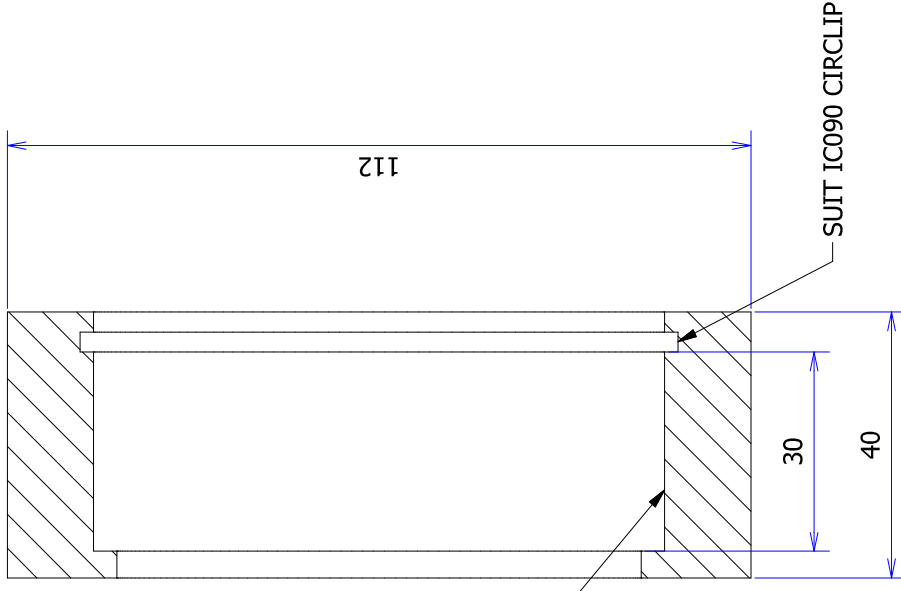



192



A-A ( 0.88 )



DO NOT SCALE  
ALL DIMENSIONS IN MM

Designed by tbelardo	Date 11/07/2023	Material PL40	QTY 1	Description
 <b>Collier &amp; Miller Engineering</b>				<b>DISC BEARING HANGER</b>
				HBLUE