

TUFF

MANUFACTURING



CATALOGUE 2023





Tuff Manufacturing Pty Ltd was started in early 2017 to supply the highest quality hydraulic cylinders and accessories wholesale to the Australian market.

Based in North Queensland, the company was started by Charlie Quagliata, and our new TAG cylinders are a result of Charlie's 40 years of engineering experience in the cylinder industry.

Our factory is fitted out with the very latest robotic manufacturing machinery, so we can produce large volumes of stock quickly and at a very competitive price.

As well as hydraulic cylinders, we also make more specialised items, such as landing legs and chute cylinders.

All our products are 100% Australian made, and come with a one year warranty.

Give us a call on 1300 CYLINDERS and see what we can do for you!

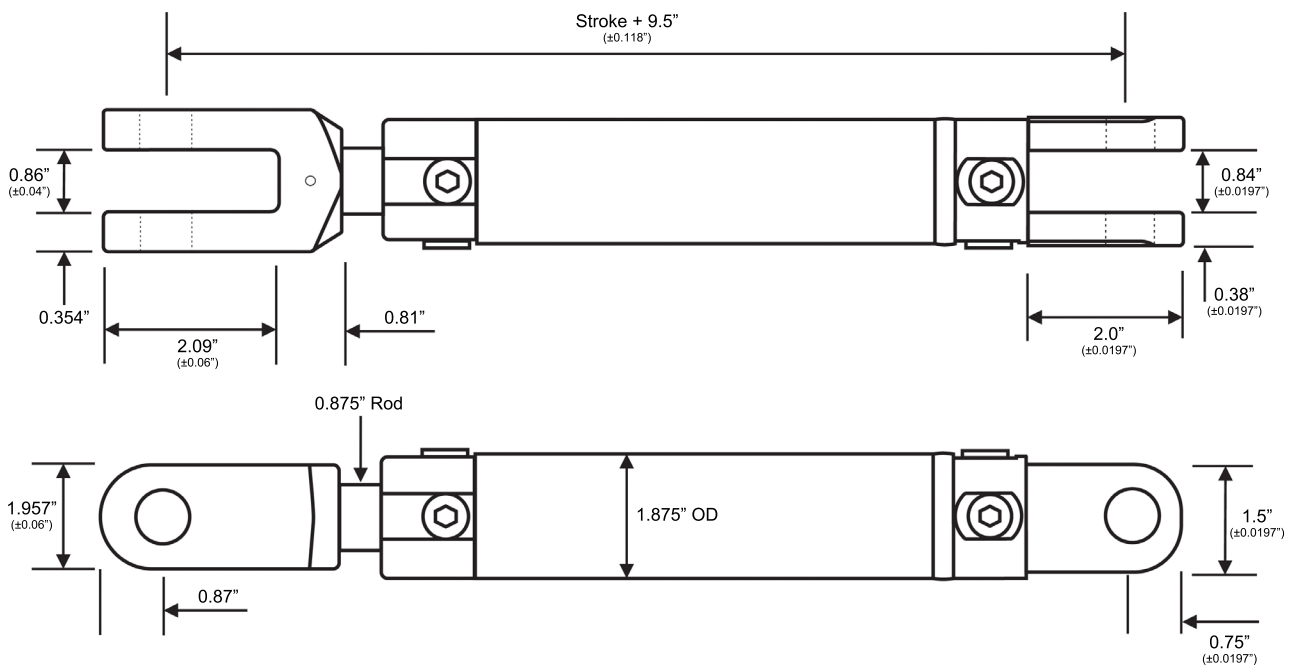
CONTENTS

	AG Cylinders	Page 4
	Toplink Cylinders	Page 11
	Short Closed Length Cylinders	Page 12
	Special Length Cylinders	Page 12
	Chute Jack Cylinders	Page 12
	Landing Legs	Page 13
	Swivel Foot	Page 13
	Phasing Cylinders	Page 14
	Cylinder Attachments	Page 16
	Cylinder Pins	Page 17
	Cylinder Breathers	Page 17
	Seal Kits	Page 17

AG Cylinders 1.5" Bore

Dual Port | 2 Year Warranty | Dated Serial Number

Part #	List Price \$	Stroke	Closed		Open		Description
			Inch	mm	Inch	mm	
TAG 1502D	P.O.A.	2"	11.5"	292.1	13.5"	342.9	Maximum Pressure: 3000 psi Ports: 9/16" UNO Pins: 3/4"
TAG 1504D	P.O.A.	4"	13.5"	342.9	17.5"	444.5	
TAG 1506D	P.O.A.	6"	15.5"	393.7	21.5"	546.1	
TAG 1508D	P.O.A.	8"	17.5"	444.5	25.5"	647.7	
TAG 1510D	P.O.A.	10"	19.5"	495.3	29.5"	749.3	
TAG 1512D	P.O.A.	12"	21.5"	546.1	33.5"	850.9	
TAG 1514D	P.O.A.	14"	23.5"	596.9	37.5"	952.5	
TAG 1516D	P.O.A.	16"	25.5"	647.7	41.5"	1054.1	
TAG 1518D	P.O.A.	18"	27.5"	698.5	45.5"	1155.7	
TAG 1520D	P.O.A.	20"	29.5"	749.3	49.5"	1257.3	
TAG 1524D	P.O.A.	24"	33.5"	850.9	57.5"	1460.5	
TAG 1530D	P.O.A.	30"	39.5"	1003.3	69.5"	1765.3	
TAG 1536D	P.O.A.	36"	45.5"	1155.7	81.5"	2070.1	
TAG 1542D	P.O.A.	42"	51.5"	1308.0	93.5"	2375.0	
TAG 1548D	P.O.A.	48"	57.5"	1460.5	105.5"	2679.7	

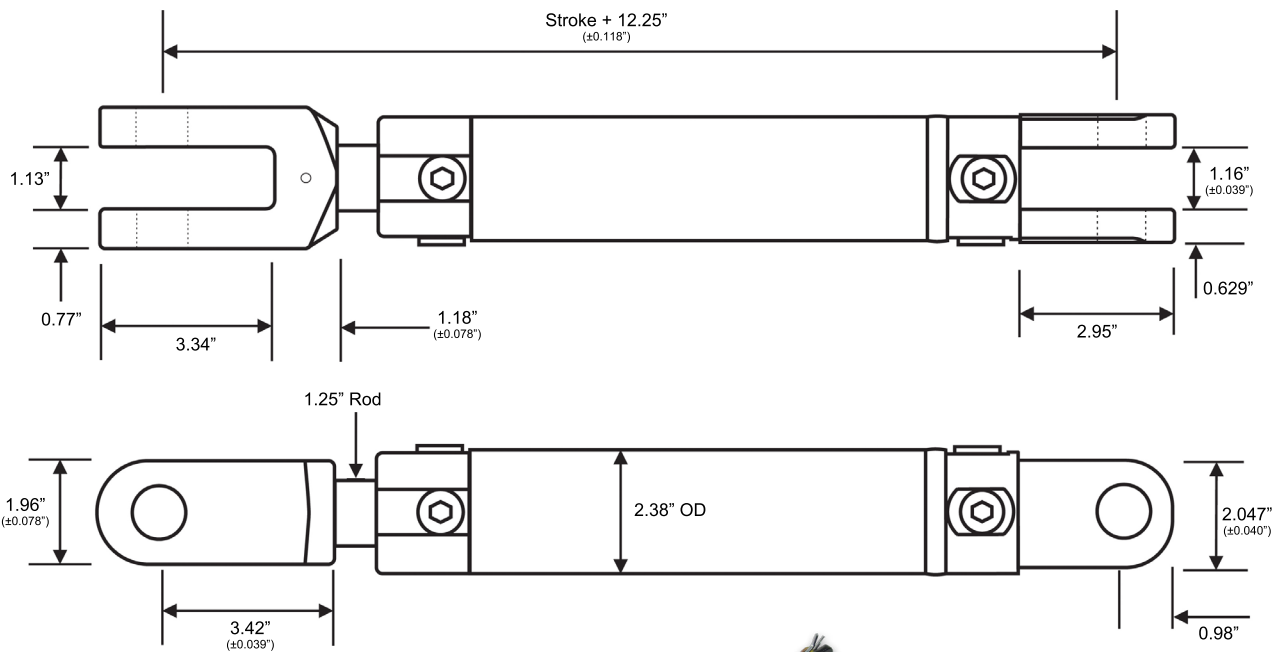


WARNING: Hydraulic cylinders without a hose burst valve, pilot operated check valve or counter balance valve directly mounted to the cylinder will not meet Australian Standard AS1418.8, nor occupational health & safety rules.

AG Cylinders 2.0" Bore

Dual Port | 2 Year Warranty | Dated Serial Number

Part #	List Price \$	Stroke	Closed		Open		Description
			Inch	mm	Inch	mm	
TAG 2002D	P.O.A.	2"	14.25"	361.95	16.25"	412.75	Maximum Pressure: 3000 psi Ports: 9/16" UNO Pins: 1"
TAG 2004D	P.O.A.	4"	16.25"	412.75	20.25"	514.35	
TAG 2006D	P.O.A.	6"	18.25"	463.55	24.25"	615.95	
TAG 2008D	P.O.A.	8"	20.25"	514.35	28.25"	717.55	
TAG 2010D	P.O.A.	10"	22.25"	565.15	32.25"	819.15	
TAG 2012D	P.O.A.	12"	24.25"	615.95	36.25"	920.75	
TAG 2014D	P.O.A.	14"	26.25"	666.75	40.25"	1022.35	
TAG 2016D	P.O.A.	16"	28.25"	717.55	44.25"	1123.95	
TAG 2018D	P.O.A.	18"	30.25"	768.35	48.25"	1225.55	
TAG 2020D	P.O.A.	20"	32.25"	819.15	52.25"	1327.15	
TAG 2022D	P.O.A.	22"	34.25"	869.95	56.25"	1428.75	
TAG 2024D	P.O.A.	24"	36.25"	920.75	60.25"	1530.35	
TAG 2026D	P.O.A.	26"	38.25"	971.55	64.25"	1631.95	
TAG 2028D	P.O.A.	28"	40.25"	1022.35	68.25"	1733.55	
TAG 2030D	P.O.A.	30"	42.25"	1073.15	72.25"	1835.15	
TAG 2036D	P.O.A.	36"	48.25"	1225.55	84.25"	2139.95	
TAG 2042D	P.O.A.	42"	54.25"	1377.95	96.25"	2444.75	
TAG 2048D	P.O.A.	48"	60.25"	1530.35	108.25"	2749.55	
TAG 2054D	P.O.A.	54"	66.25"	1682.75	120.25"	3054.35	

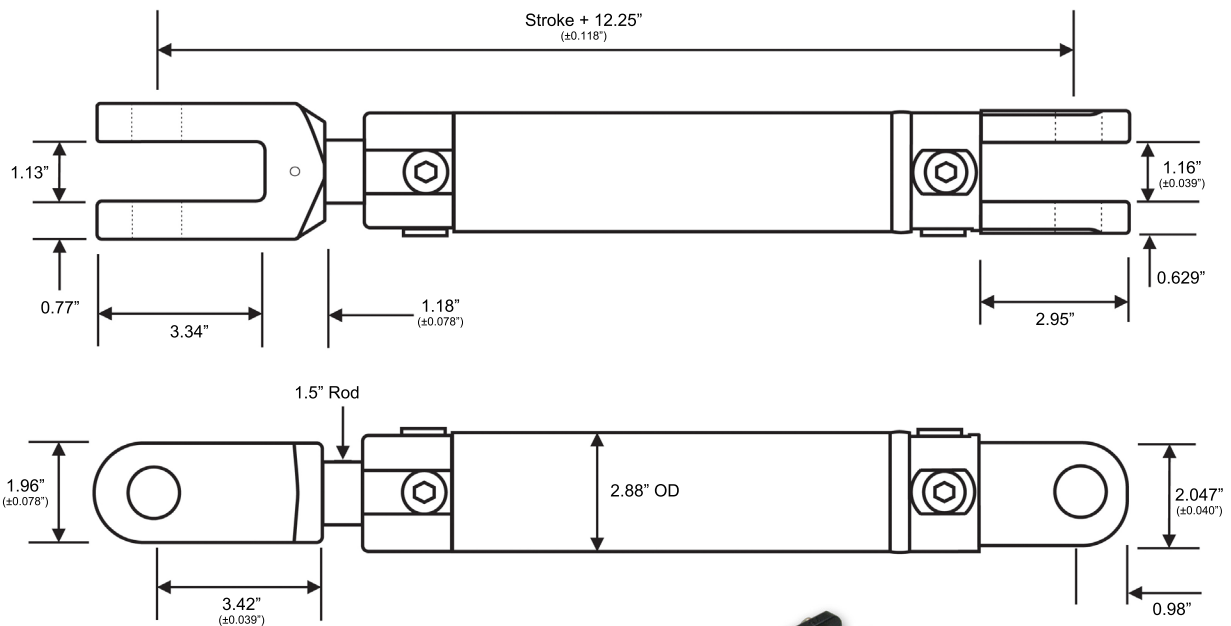


WARNING: Hydraulic cylinders without a hose burst valve, pilot operated check valve or counter balance valve directly mounted to the cylinder will not meet Australian Standard AS1418.8, nor occupational health & safety rules.

AG Cylinders 2.5" Bore

Dual Port | 2 Year Warranty | Dated Serial Number

Part #	List Price \$	Stroke	Closed		Open		Description
			Inch	mm	Inch	mm	
TAG 2504D	P.O.A.	4"	16.25"	412.75	20.25"	514.35	Maximum Pressure: 3000 psi Ports: 3/4" UNO Pins: 1"
TAG 2506D	P.O.A.	6"	18.25"	463.55	24.25"	615.95	
TAG 2508D	P.O.A.	8"	20.25"	514.35	28.25"	717.55	
TAG 2510D	P.O.A.	10"	22.25"	565.15	32.25"	819.15	
TAG 2512D	P.O.A.	12"	24.25"	615.95	36.25"	920.75	
TAG 2514D	P.O.A.	14"	26.25"	666.75	40.25"	1022.25	
TAG 2516D	P.O.A.	16"	28.25"	717.55	44.25"	1123.25	
TAG 2518D	P.O.A.	18"	30.25"	768.35	48.25"	1225.55	
TAG 2520D	P.O.A.	20"	32.25"	819.15	52.25"	1327.15	
TAG 2522D	P.O.A.	22"	34.25"	869.95	56.25"	1428.75	
TAG 2524D	P.O.A.	24"	36.25"	920.75	60.25"	1530.35	
TAG 2526D	P.O.A.	26"	38.25"	971.55	64.25"	1631.95	
TAG 2528D	P.O.A.	28"	40.25"	1022.25	68.25"	1733.55	
TAG 2530D	P.O.A.	30"	42.25"	1073.15	72.25"	1835.15	
TAG 2536D	P.O.A.	36"	48.25"	1225.55	84.25"	2139.95	
TAG 2542D	P.O.A.	42"	54.25"	1377.95	96.25"	2444.75	
TAG 2548D	P.O.A.	48"	60.25"	1530.35	108.25"	2749.55	
TAG 25-1500D	P.O.A.	1500mm	71.30"	1811.15	130.36"	3311.15	
TAG 25-2000D	P.O.A.	2000mm	90.98"	2311.1	169.73"	4311.15	
TAG 25-2500D	P.O.A.	2500mm	110.67"	2811.15	209.10"	5311.15	

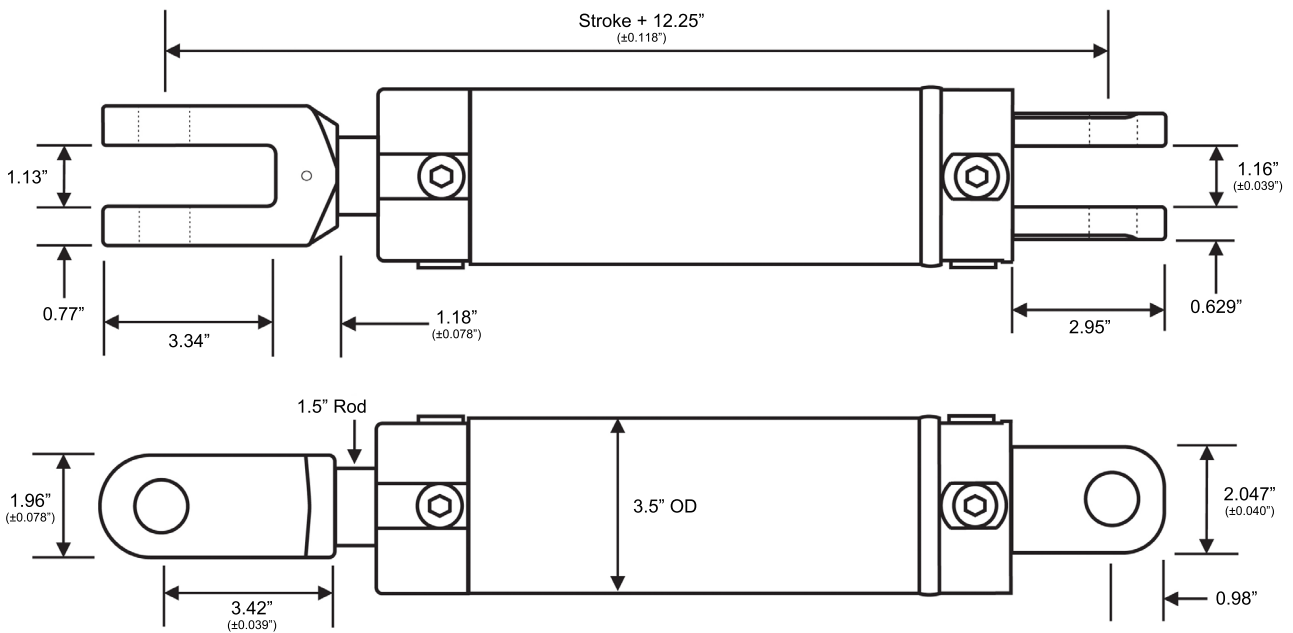


WARNING: Hydraulic cylinders without a hose burst valve, pilot operated check valve or counter balance valve directly mounted to the cylinder will not meet Australian Standard AS1418.8, nor occupational health & safety rules.

AG Cylinders 3.0" Bore

Dual Port | 2 Year Warranty | Dated Serial Number

Part #	List Price \$	Stroke	Closed		Open		Description
			Inch	mm	Inch	mm	
TAG 3004D	P.O.A.	4"	16.25"	412.75	20.25"	514.35	Maximum Pressure: 3000 psi Ports: 3/4" UNO Pins: 1"
TAG 3006D	P.O.A.	6"	18.25"	463.55	24.25"	615.95	
TAG 3008D	P.O.A.	8"	20.25"	514.35	28.25"	717.55	
TAG 3010D	P.O.A.	10"	22.25"	565.15	32.25"	819.15	
TAG 3012D	P.O.A.	12"	24.25"	615.95	36.25"	920.75	
TAG 3014D	P.O.A.	14"	26.25"	666.75	40.25"	1022.25	
TAG 3016D	P.O.A.	16"	28.25"	717.55	44.25"	1123.25	
TAG 3018D	P.O.A.	18"	30.25"	768.35	48.25"	1225.55	
TAG 3020D	P.O.A.	20"	32.25"	819.15	52.25"	1327.15	
TAG 3022D	P.O.A.	22"	34.25"	869.95	56.25"	1428.75	
TAG 3024D	P.O.A.	24"	36.25"	920.75	60.25"	1530.35	
TAG 3026D	P.O.A.	26"	38.25"	971.55	64.25"	1631.95	
TAG 3028D	P.O.A.	28"	40.25"	1022.35	68.25"	1733.55	
TAG 3030D	P.O.A.	30"	42.25"	1073.15	72.25"	1835.15	
TAG 3036D	P.O.A.	36"	48.25"	1225.55	84.25"	2139.95	
TAG 3042D	P.O.A.	42"	54.25"	1377.95	96.25"	2444.75	
TAG 3048D	P.O.A.	48"	60.25"	1530.35	108.25"	2749.55	

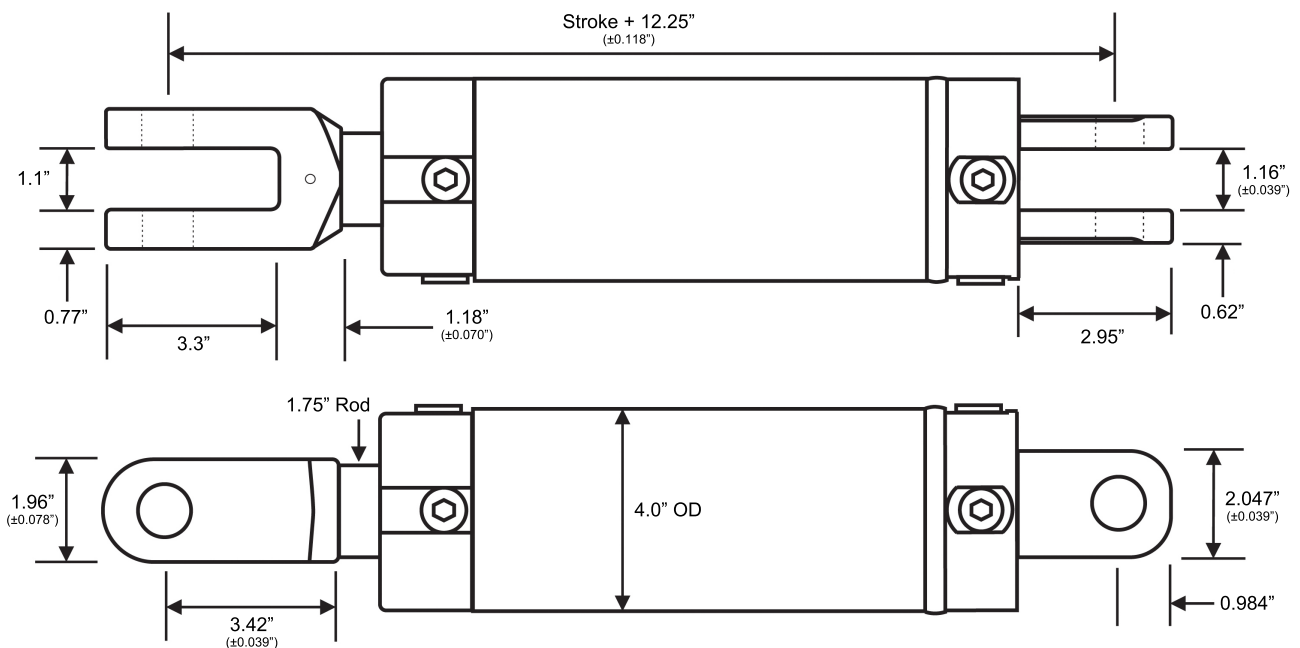


WARNING: Hydraulic cylinders without a hose burst valve, pilot operated check valve or counter balance valve directly mounted to the cylinder will not meet Australian Standard AS1418.8, nor occupational health & safety rules.

AG Cylinders 3.5" Bore

Dual Port | 2 Year Warranty | Dated Serial Number

Part #	List Price \$	Stroke	Closed		Open		Description
			Inch	mm	Inch	mm	
TAG 3506D	P.O.A.	6"	18.25"	463.55	24.25"	615.95	Maximum Pressure: 3000 psi Ports: 3/4" UNO Pins: 1"
TAG 3508D	P.O.A.	8"	20.25"	514.35	28.25"	714.55	
TAG 3510D	P.O.A.	10"	22.25"	565.15	32.25"	819.15	
TAG 3512D	P.O.A.	12"	24.25"	615.95	36.25"	920.75	
TAG 3514D	P.O.A.	14"	26.25"	666.75	40.25"	1022.25	
TAG 3516D	P.O.A.	16"	28.25"	717.55	44.25"	1123.25	
TAG 3518D	P.O.A.	18"	30.25"	768.35	48.25"	1225.55	
TAG 3520D	P.O.A.	20"	32.25"	819.15	52.25"	1327.15	
TAG 3524D	P.O.A.	24"	36.25"	920.75	60.25"	1530.35	
TAG 3526D	P.O.A.	26"	38.25"	971.50	64.25"	1631.95	
TAG 3528D	P.O.A.	28"	40.25"	1022.35	68.25"	1733.55	
TAG 3530D	P.O.A.	30"	42.25"	1073.15	72.25"	1835.15	
TAG 3536D	P.O.A.	36"	48.25"	1225.55	84.25"	2139.95	
TAG 3542D	P.O.A.	42"	54.25"	1377.95	96.25"	2444.75	
TAG 3548D	P.O.A.	48"	60.25"	1530.35	108.25"	2749.55	

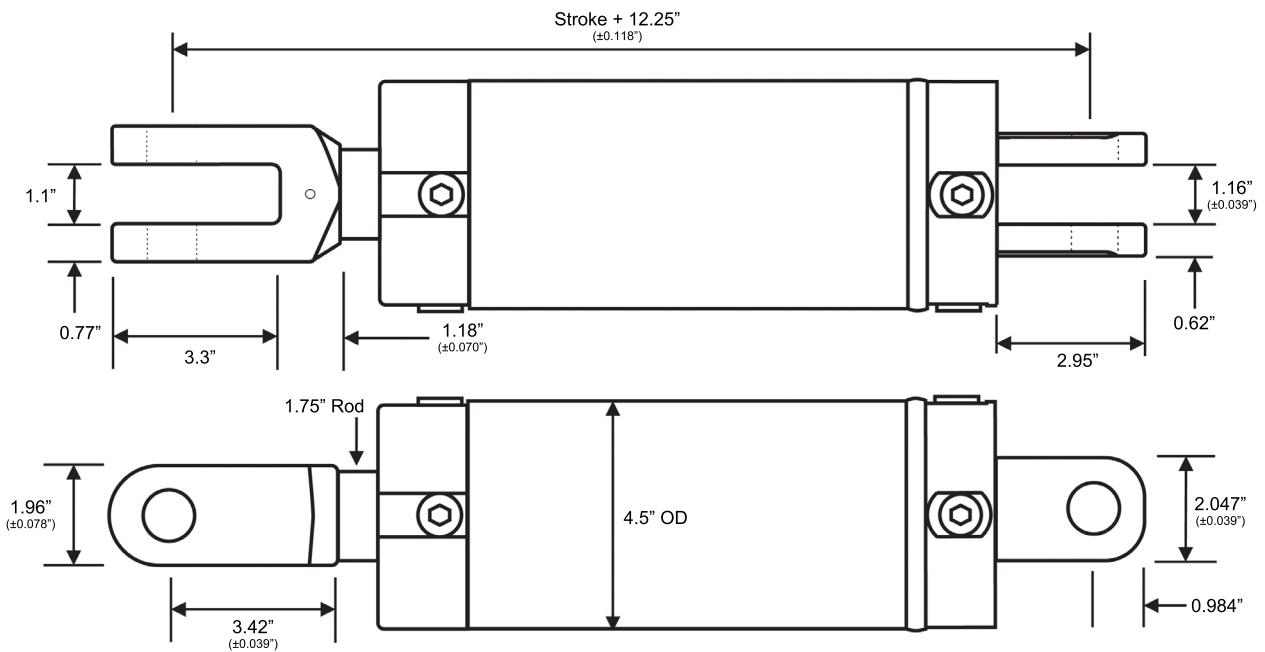


WARNING: Hydraulic cylinders without a hose burst valve, pilot operated check valve or counter balance valve directly mounted to the cylinder will not meet Australian Standard AS1418.8, nor occupational health & safety rules.

AG Cylinders 4.0" Bore

Dual Port | 2 Year Warranty | Dated Serial Number

Part #	List Price \$	Stroke	Rod	Closed		Open		Description
				Inch	mm	Inch	mm	
TAG 4004D	P.O.A.	4"	1.75"	16.25"	412.75	20.25"	514.35	Maximum Pressure: 3000 psi Ports: 3/4" UNO Pins: 1"
TAG 4006D	P.O.A.	6"	1.75"	18.25"	463.55	24.25"	615.95	
TAG 4008D	P.O.A.	8"	1.75"	20.25"	514.35	28.25"	717.55	
TAG 4010D	P.O.A.	10"	1.75"	22.25"	565.15	32.25"	819.15	
TAG 4012D	P.O.A.	12"	1.75"	24.25"	615.95	36.25"	920.75	
TAG 4016D	P.O.A.	16"	1.75"	28.25"	717.55	44.25"	1123.95	
TAG 4018D	P.O.A.	18"	1.75"	30.25"	768.35	48.25"	1225.55	
TAG 4020D	P.O.A.	20"	1.75"	32.25"	819.15	52.25"	1327.15	
TAG 4024D	P.O.A.	24"	1.75"	36.25"	920.75	60.25"	1530.35	
TAG 4030D	P.O.A.	30"	1.75"	42.25"	1073.15	72.25"	1835.15	
TAG 4036D	P.O.A.	36"	1.75"	48.25"	1225.55	84.25"	2139.95	
TAG 4042D	P.O.A.	42"	1.75"	54.25"	1377.95	96.25"	2444.75	
TAG 4048D	P.O.A.	48"	1.75"	60.25"	1530.35	108.25"	2749.55	
TAG 4012D 200	P.O.A.	12"	2"	24.25"	615.95	36.25"	920.75	
TAG 4016D 200	P.O.A.	16"	2"	28.25"	717.55	44.25"	1123.95	
TAG 4018D 200	P.O.A.	18"	2"	30.25"	768.35	48.25"	1225.55	
TAG 4024D 200	P.O.A.	24"	2"	36.25"	920.75	60.25"	1530.35	

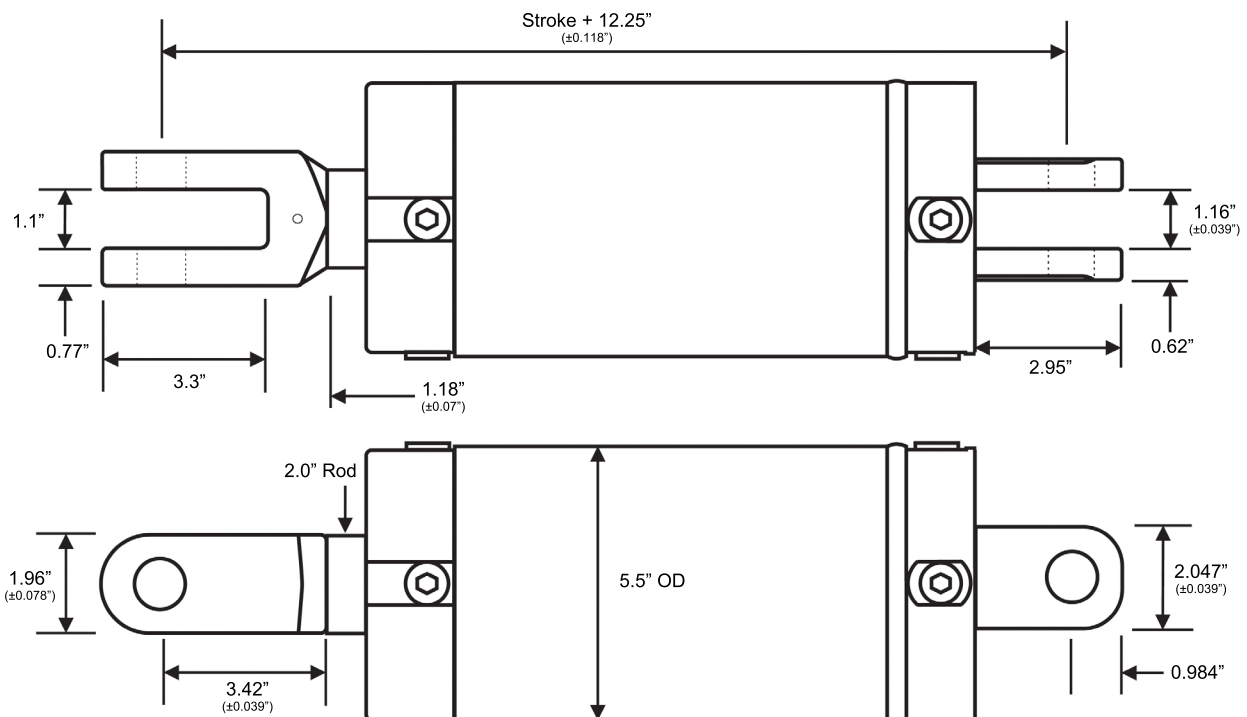


WARNING: Hydraulic cylinders without a hose burst valve, pilot operated check valve or counter balance valve directly mounted to the cylinder will not meet Australian Standard AS1418.8, nor occupational health & safety rules.

AG Cylinders 5.0" Bore

Dual Port | 2 Year Warranty | Dated Serial Number

Part #	List Price \$	Stroke	Closed		Open		Description
			Inch	mm	Inch	mm	
TAG 5008D	P.O.A.	8"	20.25"	514.35	28.25"	717.55	Maximum Pressure: 3000 psi Ports: 3/4" UNO Pins: 1"
TAG 5012D	P.O.A.	12"	24.25"	615.95	36.25"	920.75	
TAG 5016D	P.O.A.	16"	28.25"	717.55	44.25"	1123.95	
TAG 5018D	P.O.A.	18"	30.25"	768.35	48.25"	1225.55	
TAG 5020D	P.O.A.	20"	32.25"	819.15	52.25"	1327.15	
TAG 5024D	P.O.A.	24"	36.25"	920.75	60.25"	1530.35	
TAG 5030D	P.O.A.	30"	42.25"	1073.15	72.25"	1835.15	
TAG 5036D	P.O.A.	36"	48.25"	1225.55	84.25"	2139.95	
TAG 5048D	P.O.A.	48"	60.25"	1530.35	108.25"	2749.55	

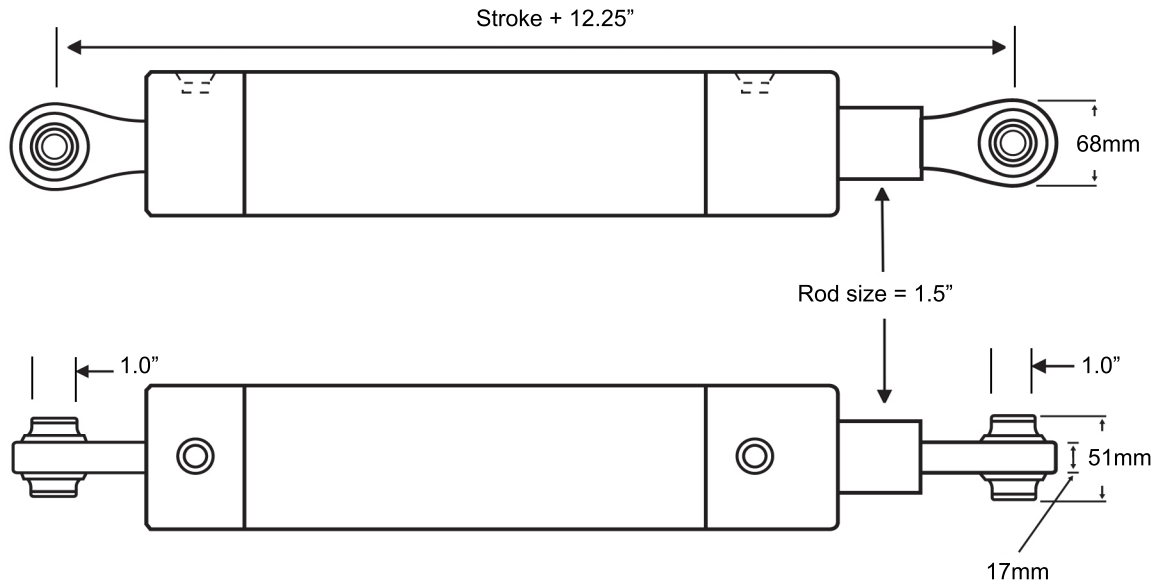


WARNING: Hydraulic cylinders without a hose burst valve, pilot operated check valve or counter balance valve directly mounted to the cylinder will not meet Australian Standard AS1418.8, nor occupational health & safety rules.

AG Toplink Cylinders 2.5" Bore

Dual Port | 2 Year Warranty | Dated Serial Number

Part #	List Price \$	Stroke	Closed		Open		Description
			Inch	mm	Inch	mm	
TAG 2504DT2	P.O.A.	4"	16.25"	412.75	20.25"	514.35	Maximum Pressure: 3000 psi Ports: 3/4" UNO Pins: 1"
TAG 2506DT2	P.O.A.	6"	18.25"	463.55	24.25"	615.95	
TAG 2508DT2	P.O.A.	8"	20.25"	514.35	28.25"	717.55	
TAG 2510DT2	P.O.A.	10"	22.25"	565.15	32.25"	819.15	
TAG 2512DT2	P.O.A.	12"	24.25"	615.95	36.25"	920.75	



WARNING: Hydraulic cylinders without a hose burst valve, pilot operated check valve or counter balance valve directly mounted to the cylinder will not meet Australian Standard AS1418.8, nor occupational health & safety rules.

2.0" Short Closed Length Cylinders

Part #	List Price \$	Bore	Stroke	Rod	Closed		Open		Description
					Inch	mm	Inch	mm	
TAG 2004DSHCC	P.O.A.	2"	4"	1"	13.5	342.9	17.5	444.5	Maximum Pressure: 3000 psi Ports: 9/16" UNO Pins: 3/4"
TAG 2006DSHCC	P.O.A.	2"	6"	1"	15.5	393.7	21.5	546.1	
TAG 2008DSHCC	P.O.A.	2"	8"	1"	17.5	444.5	25.5	647.7	
TAG 2012DSHCC	P.O.A.	2"	12"	1"	21.5	546.1	33.5	850.9	
TAG 2016DSHCC	P.O.A.	2"	16"	1"	25.5	647.7	41.5	1054.1	

Special Length Cylinders

Part #	List Price \$	Bore	Stroke	Rod	Closed		Open		Description
					Inch	mm	Inch	mm	
TAG 25-1500D	P.O.A.	2.5"	1500mm	1.1/2"	71.3	1811.15	130.4	3311.15	Maximum Pressure: 3000 psi Ports: 3/4" UNO
TAG 25-2000D	P.O.A.	2.5"	2000mm	1.1/2"	91.0	2311.15	169.7	4311.15	
TAG 25-2500D	P.O.A.	2.5"	2500mm	1.1/2"	110.7	2811.15	209.1	5311.15	
TAG 25-3000D	P.O.A.	2.5"	3000mm	1.1/2"	130.4	3311.15	248.5	6311.15	Pins: 1"
TAG 30-1800D-200	P.O.A.	3.0"	1800mm	2"	83.1	2111.15	154.0	3911.15	
TAG 30-1900D-200	P.O.A.	3.0"	1900mm	2"	87.1	2211.15	161.9	4111.15	

Concrete Truck Chute Jack Cylinders with Check Valve

Part #	List Price \$	Bore	Stroke	Rod	Closed	Open	Max Pressure	Ports	Pins
TCB 30300	P.O.A.	3.0"	300mm	1.1/4"	564mm	864mm	3250psi	9/16"	16mm eyes

TAG2006DSHCC



TAG25-1500D



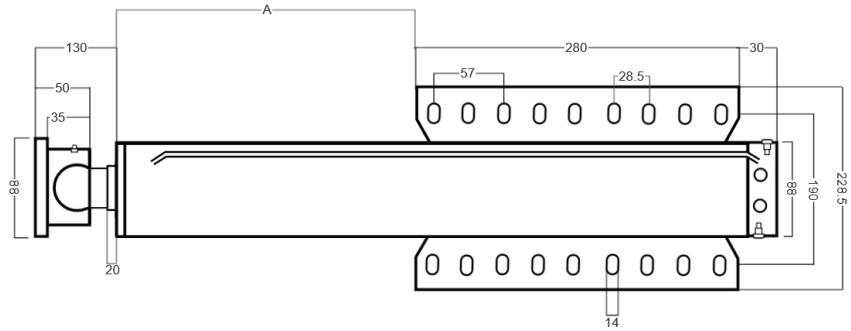
TCB30300



Landing Legs

Dual Pilot Check Valves | 2 Year Warranty | Dated Serial Number

Part #	List Price \$	Rod	Bore	Stroke	A	Max Pressure	Ports
TF3001620LEG-S	P.O.A.	2"	3"	16"	245mm	3000psi	9/16" UNO
TF3002020LEG-S	P.O.A.	2"	3"	20"	346mm	3000psi	9/16" UNO
TF3002420LEG-S	P.O.A.	2"	3"	24"	480mm	3000psi	9/16" UNO



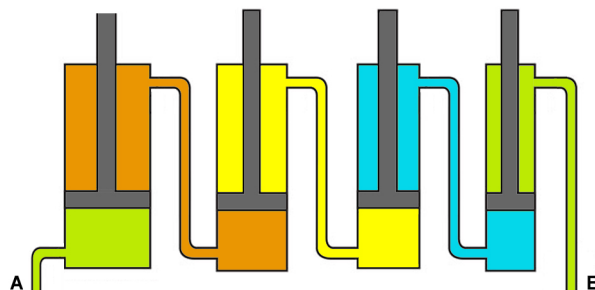
Swivel Foot

Part #	List Price \$	Description
FOOTMTFEMALE50	P.O.A.	Fits any of our hydraulic cylinders (1.1/4" UNF thread)



All our hydraulic phasing cylinders have:

- dual ports
- dated serial numbers
- 2 year warranty
- standard clevis and rod



Phasing Cylinders - 8" Stroke

Part #	List Price \$	Bore	Stroke	Rod	Weight (kg)	Closed		Open	
						Inch	mm	Inch	mm
TVP300008125	P.O.A.	3.00"	8"	1.25"	13	20.25	514.35	28.25	717.55
TVP325008125	P.O.A.	3.25"	8"	1.25"	16				
TVP350008125	P.O.A.	3.50"	8"	1.25"	18				
TVP3750081375	P.O.A.	3.75"	8"	1.375"	20				
TVP4000081375	P.O.A.	4.00"	8"	1.375"	22				
TVP4250081375	P.O.A.	4.25"	8"	1.375"	24				
TVP450008150	P.O.A.	4.50"	8"	1.50"	26				
TVP475008150	P.O.A.	4.75"	8"	1.50"	28				
TVP500008150	P.O.A.	5.00"	8"	1.50"	30				

Phasing Cylinders - 12" Stroke

Part #	List Price \$	Bore	Stroke	Rod	Weight (kg)	Closed		Open	
						Inch	mm	Inch	mm
TVP300012125	P.O.A.	3.00"	12"	1.25"	16	24.25	615.95	36.25	920.75
TVP325012125	P.O.A.	3.25"	12"	1.25"	19				
TVP350012125	P.O.A.	3.50"	12"	1.25"	23				
TVP3750121375	P.O.A.	3.75"	12"	1.375"	24				
TVP4000121375	P.O.A.	4.00"	12"	1.375"	25				
TVP4250121375	P.O.A.	4.25"	12"	1.375"	26				
TVP450012150	P.O.A.	4.50"	12"	1.50"	30				
TVP475012150	P.O.A.	4.75"	12"	1.50"	32				
TVP500012150	P.O.A.	5.00"	12"	1.50"	34				

Phasing Cylinders - 16" Stroke

Part #	List Price \$	Bore	Stroke	Rod	Weight (kg)	Closed		Open	
						Inch	mm	Inch	mm
TVP300016125	P.O.A.	3.00"	16"	1.25"	18	28.25	717.55	44.25	1123.95
TVP325016125	P.O.A.	3.25"	16"	1.25"	21				
TVP350016125	P.O.A.	3.50"	16"	1.25"	24				
TVP3750161375	P.O.A.	3.75"	16"	1.375"	29				
TVP4000161375	P.O.A.	4.00"	16"	1.375"	30				
TVP4250161375	P.O.A.	4.25"	16"	1.375"	31				
TVP450016150	P.O.A.	4.50"	16"	1.50"	33				
TVP475016150	P.O.A.	4.75"	16"	1.50"	35				
TVP500016150	P.O.A.	5.00"	16"	1.50"	36				



Phasing Cylinders - 18" Stroke

Part #	List Price \$	Bore	Stroke	Rod	Weight (kg)	Closed		Open	
						Inch	mm	Inch	mm
TVP300018125	P.O.A.	3.00"	18"	1.25"	19	30.25	768.35	48.25	1225.55
TVP325018125	P.O.A.	3.25"	18"	1.25"	22				
TVP350018125	P.O.A.	3.50"	18"	1.25"	25				
TVP3750181375	P.O.A.	3.75"	18"	1.375"	30				
TVP4000181375	P.O.A.	4.00"	18"	1.375"	31				
TVP4250181375	P.O.A.	4.25"	18"	1.375"	32				
TVP450018150	P.O.A.	4.50"	18"	1.50"	34				
TVP475018150	P.O.A.	4.75"	18"	1.50"	36				
TVP500018150	P.O.A.	5.00"	18"	1.50"	38				

Phasing Cylinders - 24" Stroke

Part #	List Price \$	Bore	Stroke	Rod	Weight (kg)	Closed		Open	
						Inch	mm	Inch	mm
TVP300024125	P.O.A.	3.00"	24"	1.25"	22	36.25	920.75	60.25	1530.35
TVP325024125	P.O.A.	3.25"	24"	1.25"	25				
TVP350024125	P.O.A.	3.50"	24"	1.25"	25				
TVP3750241375	P.O.A.	3.75"	24"	1.375"	33				
TVP4000241375	P.O.A.	4.00"	24"	1.375"	34				
TVP4250241375	P.O.A.	4.25"	24"	1.375"	36				
TVP450024150	P.O.A.	4.50"	24"	1.50"	37				
TVP475024150	P.O.A.	4.75"	24"	1.50"	39				
TVP500024150	P.O.A.	5.00"	24"	1.50"	41				

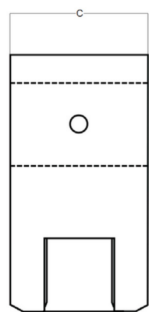
Phasing Cylinders - 36" Stroke

Part #	List Price \$	Bore	Stroke	Rod	Weight (kg)	Closed		Open	
						Inch	mm	Inch	mm
TVP300036125	P.O.A.	3.00"	36"	1.25"	29	48.25	1225.55	84.25	2139.95
TVP325036125	P.O.A.	3.25"	36"	1.25"	31				
TVP350036125	P.O.A.	3.50"	36"	1.25"	38				
TVP3750361375	P.O.A.	3.75"	36"	1.375"	40				
TVP4000361375	P.O.A.	4.00"	36"	1.375"	42				
TVP4250361375	P.O.A.	4.25"	36"	1.375"	44				
TVP450036150	P.O.A.	4.50"	36"	1.50"	47				
TVP475036150	P.O.A.	4.75"	36"	1.50"	51				
TVP500036150	P.O.A.	5.00"	36"	1.50"	54				

Cylinder Attachments

Part #	List Price \$	Type	Thread	Pin Size	Material	Dimensions (mm)			Pin To Suit
						A	B	C	
CL075	P.O.A.	Female Clevis	3/4" UNF	0.75"	Steel	51	21	40	CLPN075-48.3
CL100-1.125	P.O.A.	Female Clevis	1.1/8" UNF	1.0"	Cast Iron	87	28.5	62	CLPN1-77
CL100-82	P.O.A.	Female Clevis	1.1/4" UNF	1.0"	SG Iron	82	28.5	62	CLPN1-77
CL100	P.O.A.	Female Clevis	1.1/4" UNF	1.0"	SG Iron	87	28.5	62	CLPN1-77
CL100AD	P.O.A.	Adj. Female Clevis	1.1/4" UNF	1.0"	SG Iron	85.5	29	69	CLPN1-94SC
CL100STEEL	P.O.A.	Female Clevis	1.1/4" UNF	1.0"	Steel	87	28.6	62	CLPN1-77
CL125CAST	P.O.A.	Female Clevis	1.1/4" UNF	1.25"	SG Iron	87	28.5	62	CLPN125-80
CL150	P.O.A.	Block End	1.1/4" UNF	1.5" *	Steel	87	-	63	-
CLM075	P.O.A.	Block End	3/4" UNF	0.75"	Steel	51	-	40	-
CLM100	P.O.A.	Block End	1.1/4" UNF	1.0"	Steel	87	-	50	-
B310	P.O.A.	Ball End	Weld on	0.75"	Steel	-	-	-	-
B311	P.O.A.	Ball End	Weld on	1.0"	Steel	-	-	-	-

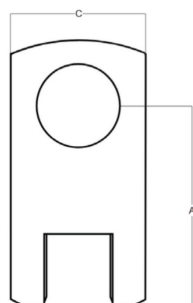
* Reduction bushes to 1" are supplied with CL150 (can also be bushed to other sizes). Grease port included.



Block End Clevis



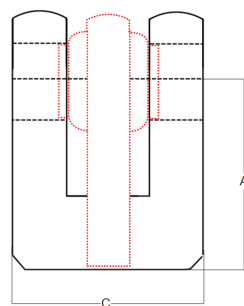
CL075



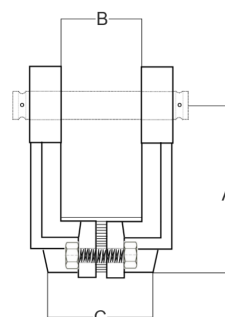
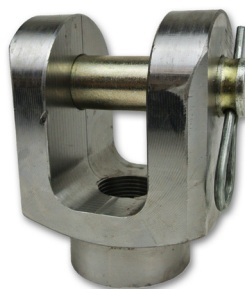
Female Clevis



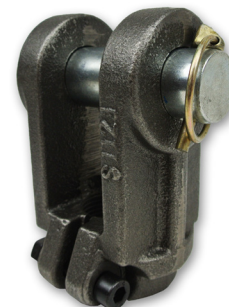
CL100



CL100 STEEL



Adjustable Female Clevis



CL100-AD



CL150



CLM075



B310



B311

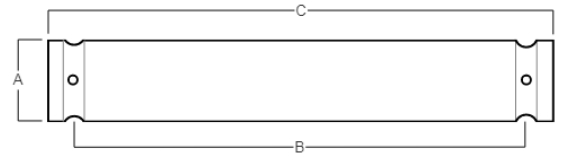
Other cylinder components also stocked (including glands, pistons, endcaps) - contact us for more information

Cylinder Pins

Part #	List Price \$	Dimensions (mm)		
		A	B	C
CLPN075-48.3	P.O.A.	3/4"	48.3mm	57.5mm
CLPN1-69	P.O.A.	1"	69mm	81mm
CLPN1-60	P.O.A.	1"	60mm	72mm
CLPN1-77	P.O.A.	1"	78mm	90mm
CLPN125-80	P.O.A.	1.1/4"	80mm	95mm

Pin Selection Guide

Cylinder Size	Size	Clevis Pin	Base End Pin
TAG 15	3/4"	CLPN075-48.3	CLPN075-48.3
TAG 20 SHORT CC	3/4"	CLPN075-48.3	CLPN075-48.3
TAG 20	1"	CLPN1-69	CLPN1-60
TAG 25	1"	CLPN1-69	CLPN1-69
TAG 30	1"	CLPN1-77	CLPN1-69
TAG 35	1"	CLPN1-77	CLPN1-77
TAG 40	1"	CLPN1-77	CLPN1-77
TAG 50	1"	CLPN1-77	CLPN1-77



CLPN125/CLPN1



CLPN075

Cylinder Breathers

Part #	List Price \$	Description
A9431	P.O.A.	Cylinder breather - brass cloth mesh filter - aluminium - 9/16-18 UNO thread
16329A	P.O.A.	Cylinder breather - brass cloth mesh filter - aluminium - 3/4-16 UNO thread

Cylinder Seal Kits

Part #	List Price \$	Cylinder Type	Bore Size	Shaft Size
SK15087CAT	P.O.A.	TAG Cylinder	1.5"	0.875"
SK20125CAT	P.O.A.	TAG Cylinder	2.0"	1.25"
SK2515CAT	P.O.A.	TAG Cylinder	2.5"	1.5"
SK3015CAT	P.O.A.	TAG Cylinder	3.0"	1.5"
SK35175CAT	P.O.A.	TAG Cylinder	3.5"	1.75"
SK40175CAT	P.O.A.	TAG Cylinder	4.0"	1.75"
SK5020CAT	P.O.A.	TAG Cylinder	5.0"	2.0"



Tuff Manufacturing Pty Ltd
19-21 McCathie Street
Ayr
QLD 4807

1800 CYLINDERS

www.tuffmanufacturing.com.au
sales@tuffmanufacturing.com.au

ABN 13 615 786 152