

# CIGWELD

AN ESAB® BRAND

MIG

STICK

TIG



Art # A-13435\_AC

## WeldSkill 155 / 185

## OPERATING MANUAL



155 Inverter W1008155



185 Inverter W1008185

Version No: AD Issue Date: 25-10-2018

Manual No: 0-5492



## **WE APPRECIATE YOUR BUSINESS!**

Congratulations on your new CIGWELD product. We are proud to have you as our customer and will strive to provide you with the best service and reliability in the industry. This product is backed by our extensive warranty and world-wide service network.

This Operating Manual has been designed to instruct you on the correct use and operation of your CIGWELD product. Your satisfaction with this product and its safe operation is our ultimate concern. Therefore please take the time to read the entire manual, especially the Safety Precautions. They will help you to avoid potential hazards that may exist when working with this product.

We have made every effort to provide you with accurate instructions, drawings, and photographs of the product(s) while writing this manual. However errors do occur and we apologize if there are any contained in this manual.

Due to our constant effort to bring you the best products, we may make an improvement that does not get reflected in the manual. If you are ever in doubt about what you see or read in this manual with the product you received, then check for a newer version of the manual on our website or contact our customer support for assistance.

## **YOU ARE IN GOOD COMPANY!**

### **The Brand of Choice for Contractors and Fabricators Worldwide.**

CIGWELD is a Market Leading Brand of Arc Welding Products for ESAB. We are a mainline supplier to major welding industry sectors in the Asia Pacific and emerging global markets including; Manufacturing, Construction, Mining, Automotive, Engineering, Rural and DIY.

We distinguish ourselves from our competition through market-leading, dependable products that have stood the test of time. We pride ourselves on technical innovation, competitive prices, excellent delivery, superior customer service and technical support, together with excellence in sales and marketing expertise.

Above all, we are committed to develop technologically advanced products to achieve a safer working environment for industry operators.

**WARNING**

Read and understand this entire Manual and your employer's safety practices before installing, operating, or servicing the equipment.

While the information contained in this Manual represents the Manufacturer's best judgement, the Manufacturer assumes no liability for its use.

CIGWELD WeldSkill 155 and 185 Welding Inverters  
Instruction Manual Number 0-5492 for:  
Part Numbers W1008155 and W1008185

Published by:  
CIGWELD Pty Ltd  
CIGWELD An ESAB Brand  
71 Gower Street,  
Preston, Victoria, Australia, 3072  
+61 3 9474 7400      +61 3 9474 7391

[www.cigweld.com.au](http://www.cigweld.com.au)

Copyright 2018  
CIGWELD Pty Ltd

All rights reserved.

Reproduction of this work, in whole or in part, without written permission of the publisher is prohibited.

The publisher does not assume and hereby disclaims any liability to any party for any loss or damage caused by any error or omission in this Manual, whether such error results from negligence, accident, or any other cause.

For Printing Material Specification refer to document 47x1915.

Publication Date: 17-08-2017

Revision Date: 25-10-2018

**Record the following information for Warranty purposes:**

Where Purchased: \_\_\_\_\_

Purchase Date: \_\_\_\_\_

Equipment Serial #: \_\_\_\_\_

**Be sure this information reaches the operator.  
You can get extra copies through your supplier.**

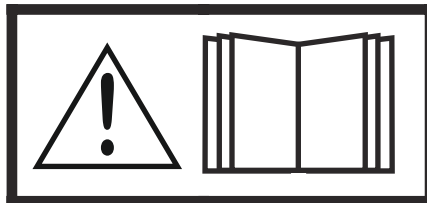
## **CAUTION**

These **INSTRUCTIONS** are for experienced operators. If you are not fully familiar with the principles of operation and safe practices for arc welding and cutting equipment, we urge you to read our booklet, "Precautions and Safe Practices for Arc Welding, Cutting, and Gouging," Booklet 0-5407. Do **NOT** permit untrained persons to install, operate, or maintain this equipment. Do **NOT** attempt to install or operate this equipment until you have read and fully understand these instructions. If you do not fully understand these instructions, contact your supplier for further information. Be sure to read the **Safety Precautions** before installing or operating this equipment.

### **USER RESPONSIBILITY**

This equipment will perform in conformity with the description thereof contained in this manual and accompanying labels and/or inserts when installed, operated, maintained and repaired in accordance with the instructions provided. This equipment must be checked periodically. Malfunctioning or poorly maintained equipment should not be used. Parts that are broken, missing, worn, distorted or contaminated should be replaced immediately. Should such repair or replacement become necessary, the manufacturer recommends that a telephone or written request for service advice be made to the Authorized Distributor from whom it was purchased.

This equipment or any of its parts should not be altered without the prior written approval of the manufacturer. The user of this equipment shall have the sole responsibility for any malfunction which results from improper use, faulty maintenance, damage, improper repair or alteration by anyone other than the manufacturer or a service facility designated by the manufacturer.



**READ AND UNDERSTAND THE INSTRUCTION MANUAL BEFORE INSTALLING OR  
OPERATING.  
PROTECT YOURSELF AND OTHERS!**

## **DECLARATION OF CONFORMITY**

According to

The Arc Welding Power Source Directive AS 60974.1-2006 (equivalent to IEC 60974-1 Ed. 2.1)

The EMC Directive IEC 60974-10:2014 published on 06 February 2014

**Type of equipment**

Welding Inverter Power Source

**Type designation etc.**

Welding Performance

**Brand name or trade mark**

Cigweld

**Manufacturer or his authorised representative established within the EEA**

**Name, address, telephone No:**

Cigweld Pty Ltd  
71 Gower Street  
Preston, Victoria, Australia, 3072  
Phone: +61 3 9474 7400

**The following harmonised standard in force within the EEA has been used in the design:**

AS 60974.1-2006, Arc Welding Equipment - Welding Power Sources (IEC 60974-1:2000, MOD)  
IEC 60974-10-2014, Arc Welding Equipment - Part 10: Electromagnetic Compatibility (EMC) Requirements  
AS 1674.2-2007, Safety in Welding and Allied Processes

*Additional Information: Restrictive use, Class A equipment, intended for use in location other than resid*

**By signing this document, the undersigned declares as manufacturer, or the manufacturer's authorised representative established within the EEA, that the equipment in question complies with the safety requirements stated above.**

**Date**

25-07-2017

**Signature**



Ken Konopa

**Position**

Vice President,  
Global Welding



2017

## TABLE OF CONTENTS

### SECTION 1:

<b>ARC WELDING SAFETY INSTRUCTIONS AND WARNINGS .....</b>	<b>1-1</b>
1.01 Arc Welding Hazards.....	1-1
1.02 PRINCIPAL SAFETY STANDARDS.....	1-5

### SECTION 2:

<b>INTRODUCTION .....</b>	<b>2-1</b>
2.01 How To Use This Manual .....	2-1
2.02 Equipment Identification .....	2-1
2.03 Receipt Of Equipment .....	2-1
2.04 Symbol Chart.....	2-2
2.05 Description .....	2-3
2.06 User Responsibility.....	2-3
2.07 Packaged Item .....	2-3
2.08 Transporting Methods.....	2-3
2.09 Duty Cycle.....	2-4
2.10 Specifications .....	2-4
2.11 Optional Accessories .....	2-6

### SECTION 3:

<b>INSTALLATION .....</b>	<b>3-1</b>
3.01 Environment .....	3-1
3.02 Location.....	3-1
3.03 Ventilation.....	3-1
3.04 Mains Supply Voltage Requirements .....	3-1
3.05 Generators.....	3-1
3.06 Extension Leads.....	3-1
3.07 Electromagnetic Compatibility .....	3-2

### SECTION 4:

<b>OPERATION .....</b>	<b>4-1</b>
4.01 Overview.....	4-1
4.02 Power Source Controls, Indicators and Features .....	4-1

### SECTION 5:

<b>MIG (GMAW) WELDING.....</b>	<b>5-1</b>
5.01 Shielding Gas Regulator/Flowmeter Operating Instructions.....	5-1
5.02 Attaching the MIG Torch (Euro) .....	5-4
5.03 Installing Minispool (100mm diameter) .....	5-4
5.04 Installing Handispool (200mm diameter) .....	5-5
5.05 Inserting Wire into the Wire Feed Mechanism .....	5-6
5.06 Feed Roller Pressure Adjustment.....	5-7
5.07 Changing the Feed Roll.....	5-7
5.08 Wire Reel Brake .....	5-8
5.09 Setup for MIG (GMAW) Welding with Gas Shielded Mig Wire .....	5-8
5.10 Setup for MIG (GMAW) Welding with Gasless MIG Wire (Flux Cored) .....	5-10
5.11 Setup for SPOOL GUN MIG (GMAW) Welding with Gas Shielded Mig Wire (WeldSkill 185 Only).....	5-11
5.12 MIG (GMAW/FCAW) Basic Welding Technique .....	5-12
5.13 CIGWELD MIG Wire Selection Chart.....	5-17
5.14 MIG (GMAW/FCAW) Welding Troubleshooting .....	5-18

## TABLE OF CONTENTS

<b>SECTION 6:</b>		
<b>STICK (MMAW) WELDING</b> .....		<b>6-1</b>
6.01	Setup For STICK (MMAW) Welding .....	6-1
6.02	Arc Welding Electrodes.....	6-2
6.03	Types of Electrodes.....	6-2
6.04	Size of Electrode .....	6-3
6.05	Storage of Electrodes.....	6-3
6.06	Electrode Polarity.....	6-3
6.07	Effects of Arc Welding Various Materials .....	6-4
6.08	Arc Welding Practice.....	6-4
6.09	Welding Position.....	6-4
6.10	Joint Preparations.....	6-5
6.11	Arc Welding Technique .....	6-6
6.12	The Welder.....	6-6
6.13	Striking the Arc .....	6-6
6.14	Arc Length .....	6-6
6.15	Rate of Travel.....	6-6
6.16	Making Welded Joints.....	6-6
6.17	Distortion.....	6-9
6.18	The Cause of Distortion .....	6-9
6.19	Overcoming Distortion Effects .....	6-9
6.20	Welding Problems .....	6-11
<b>SECTION 7:</b>		
<b>TIG (GTAW) WELDING</b> .....		<b>7-1</b>
7.01	Shielding Gas Regulator/Flowmeter Operating Instructions.....	7-1
7.02	Setup For Lift TIG (GTAW) Welding .....	7-3
7.03	TIG (GTAW) Basic Welding Technique .....	7-5
7.04	TIG (GTAW) Welding Problems.....	7-7
<b>SECTION 8:</b>		
<b>ROUTINE SERVICE REQUIREMENTS AND POWER SOURCE PROBLEMS</b> .....		<b>8-1</b>
8.01	Routine Maintenance & Inspection .....	8-1
8.02	Cleaning the Welding Power Source .....	8-1
8.03	Cleaning the Feed Rolls.....	8-1
8.04	Basic Troubleshooting .....	8-1
8.05	Welding Power Source Problems .....	8-2
<b>SECTION 9: KEY SPARE PARTS</b> .....		<b>9-1</b>
9.01	WeldSkill 155 Key Spare Parts.....	9-1
9.02	WeldSkill 185 Key Spare Parts.....	9-2
9.03	E-180 MIG Torch 3m (P/N W4018800) Key Spare Parts.....	9-3
<b>APPENDIX 1: WELDSKILL 155 CIRCUIT DIAGRAM</b> .....		<b>A-1</b>
<b>APPENDIX 2: WELDSKILL 185 CIRCUIT DIAGRAM</b> .....		<b>A-2</b>
<b>CIGWELD - LIMITED WARRANTY TERMS</b>		
<b>WARRANTY SCHEDULE – WELDSKILL 155 &amp; 185 INVERTERS</b>		

This Page Intentionally Blank



## SECTION 1: ARC WELDING SAFETY INSTRUCTIONS AND WARNINGS

**WARNING**

**PROTECT YOURSELF AND OTHERS FROM POSSIBLE SERIOUS INJURY OR DEATH. KEEP CHILDREN AWAY. PACE-MAKER WEARERS KEEP AWAY UNTIL CONSULTING YOUR DOCTOR. DO NOT LOSE THESE INSTRUCTIONS. READ OPERATING/INSTRUCTION MANUAL BEFORE INSTALLING, OPERATING OR SERVICING THIS EQUIPMENT.**

Welding products and welding processes can cause serious injury or death, or damage to other equipment or property, if the operator does not strictly observe all safety rules and take precautionary actions.

Safe practices have developed from past experience in the use of welding and cutting. These practices must be learned through study and training before using this equipment. Some of these practices apply to equipment connected to power lines; other practices apply to engine driven equipment. Anyone not having extensive training in welding and cutting practices should not attempt to weld.

Safe practices are outlined in the Australian Standard AS1674.2-2007 entitled: Safety in welding and allied processes Part 2: Electrical. This publication and other guides to what you should learn before operating this equipment are listed at the end of these safety precautions. **HAVE ALL INSTALLATION, OPERATION, MAINTENANCE, AND REPAIR WORK PERFORMED ONLY BY QUALIFIED PEOPLE.**

### 1.01 Arc Welding Hazards

**WARNING**  
**ELECTRIC SHOCK can kill.**

Touching live electrical parts can cause fatal shocks or severe burns. The electrode and work circuit is electrically live whenever the output is on. The input power circuit and machine internal circuits are also live when power is on. In semiautomatic or automatic wire welding, the wire, wire reel, drive roll housing, and all metal parts touching the welding wire are electrically live. Incorrectly installed or improperly grounded equipment is a hazard.

1. Do not touch live electrical parts.
2. Wear dry, hole-free insulating gloves and body protection.
3. Insulate yourself from work and ground using dry insulating mats or covers.
4. Disconnect input power or stop engine before installing or servicing this equipment. Lock input power disconnect switch open, or remove line fuses so power cannot be turned on accidentally.
5. Properly install and ground this equipment according to its Owner's Manual and national, state, and local codes.
6. Turn off all equipment when not in use. Disconnect power to equipment if it will be left unattended or out of service.
7. Use fully insulated electrode holders. Never dip holder in water to cool it or lay it down on the ground or the work surface. Do not touch holders connected to two welding machines at the same time or touch other people with the holder or electrode.
8. Do not use worn, damaged, undersized, or poorly spliced cables.
9. Do not wrap cables around your body.
10. Ground the workpiece to a good electrical (earth) ground.
11. Do not touch electrode while in contact with the work (ground) circuit.
12. Use only well-maintained equipment. Repair or replace damaged parts at once.
13. In confined spaces or damp locations, do not use a welder with AC output unless it is equipped with a voltage reducer. Use equipment with DC output.
14. Wear a safety harness to prevent falling if working above floor level.
15. Keep all panels and covers securely in place.



### WARNING

ARC RAYS can burn eyes and skin; NOISE can damage hearing.

Arc rays from the welding process produce intense heat and strong ultraviolet rays that can burn eyes and skin. Noise from some processes can damage hearing.

1. Use a Welding Helmet or Welding Faceshield fitted with a proper shade of filter (see ANSI Z49.1 and AS 1674 listed in Safety Standards) to protect your face and eyes when welding or watching.
2. Wear approved safety glasses. Side shields recommended.
3. Use protective screens or barriers to protect others from flash and glare; warn others not to watch the arc.
4. Wear protective clothing made from durable, flame-resistant material (wool and leather) and foot protection.
5. Use approved ear plugs or ear muffs if noise level is high.
6. Never wear contact lenses while welding.

Recommended Protective Filters for Electric Welding		
Description of Process	Approximate Range of Welding Current in Amps	Minimum Shade Number of Filter(s)
Manual Metal Arc Welding - covered electrodes (MMAW)	Less than or equal to 100	8
	100 to 200	10
	200 to 300	11
	300 to 400	12
	Greater than 400	13
Gas Metal Arc Welding (GMAW) (MIG) other than Aluminium and Stainless Steel	Less than or equal to 150	10
	150 to 250	11
	250 to 300	12
	300 to 400	13
	Greater than 400	14
Gas Metal Arc Welding (GMAW) (MIG) Aluminium and Stainless Steel	Less than or equal to 250	12
	250 to 350	13
Gas Tungsten Arc Welding (GTAW) (TIG)	Less than or equal to 100	10
	100 to 200	11
	200 to 250	12
	250 to 350	13
	Greater than 350	14
Flux-cored Arc Welding (FCAW) -with or without shielding gas.	Less than or equal to 300	11
	300 to 400	12
	400 to 500	13
	Greater than 500	14
Air - Arc Gouging	Less than or equal to 400	12
Plasma - Arc Cutting	50 to 100	10
	100 to 400	12
	400 to 800	14
Plasma - Arc Spraying	—	15
Plasma - Arc Welding	Less than or equal to 20	8
	20 to 100	10
	100 to 400	12
	400 to 800	14
Submerged - Arc Welding	—	2(5)
Resistance Welding	—	Safety Spectacles or eye shield

Refer to standard AS/NZS 1338.1:1992 for comprehensive information regarding the above table.

**WARNING**

FUMES AND GASES can be hazardous to your health.

Welding produces fumes and gases. Breathing these fumes and gases can be hazardous to your health.

1. Keep your head out of the fumes. Do not breathe the fumes.
2. If inside, ventilate the area and/or use exhaust at the arc to remove welding fumes and gases.
3. If ventilation is poor, use an approved air-supplied respirator.
4. Read the Material Safety Data Sheets (MSDSs) and the manufacturer's instruction for metals, consumables, coatings, and cleaners.
5. Work in a confined space only if it is well ventilated, or while wearing an air-supplied respirator. Shielding gases used for welding can displace air causing injury or death. Be sure the breathing air is safe.
6. Do not weld in locations near degreasing, cleaning, or spraying operations. The heat and rays of the arc can react with vapours to form highly toxic and irritating gases.
7. Do not weld on coated metals, such as galvanized, lead, or cadmium plated steel, unless the coating is removed from the weld area, the area is well ventilated, and if necessary, while wearing an air-supplied respirator. The coatings and any metals containing these elements can give off toxic fumes if welded.

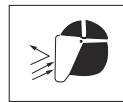
**WARNING**

WELDING can cause fire or explosion.

Sparks and spatter fly off from the welding arc. The flying sparks and hot metal, weld spatter, hot workpiece, and hot equipment can cause fires and burns. Accidental contact of electrode or welding wire to metal objects can cause sparks, overheating, or fire.

1. Protect yourself and others from flying sparks and hot metal.
2. Do not weld where flying sparks can strike flammable material.
3. Remove all flammables within 35 ft (10.7 m) of the welding arc. If this is not possible, tightly cover them with approved covers.

4. Be alert that welding sparks and hot materials from welding can easily go through small cracks and openings to adjacent areas.
5. Watch for fire, and keep a fire extinguisher nearby.
6. Be aware that welding on a ceiling, floor, bulkhead, or partition can cause fire on the hidden side.
7. Do not weld on closed containers such as tanks or drums.
8. Connect work cable to the work as close to the welding area as practical to prevent welding current from travelling long, possibly unknown paths and causing electric shock and fire hazards.
9. Do not use welder to thaw frozen pipes.
10. Remove stick electrode from holder or cut off welding wire at contact tip when not in use.

**WARNING**

FLYING SPARKS AND HOT METAL can cause injury.

Chipping and grinding cause flying metal. As welds cool, they can throw off slag.

1. Wear approved face shield or safety goggles. Side shields recommended.
2. Wear proper body protection to protect skin.

**WARNING**

CYLINDERS can explode if damaged.

Shielding gas cylinders contain gas under high pressure. If damaged, a cylinder can explode. Since gas cylinders are normally part of the welding process, be sure to treat them carefully.

1. Protect compressed gas cylinders from excessive heat, mechanical shocks, and arcs.
2. Install and secure cylinders in an upright position by chaining them to a stationary support or equipment cylinder rack to prevent falling or tipping.
3. Keep cylinders away from any welding or other electrical circuits.
4. Never allow a welding electrode to touch any cylinder.
5. Use only correct shielding gas cylinders, regulators, hoses, and fittings designed for the specific application; maintain them and associated parts in good condition.

6. Turn face away from valve outlet when opening cylinder valve.
7. Keep protective cap in place over valve except when cylinder is in use or connected for use.
8. Read and follow instructions on compressed gas cylinders, associated equipment, and CGA publication P-1 listed in Safety Standards.

**WARNING**

MOVING PARTS can cause injury.

Moving parts, such as fans, rotors, and belts can cut fingers and hands and catch loose clothing.

1. Keep all doors, panels, covers, and guards closed and securely in place.
2. Stop engine before installing or connecting unit.
3. Have only qualified people remove guards or covers for maintenance and troubleshooting as necessary.
4. To prevent accidental starting during servicing, disconnect negative (-) battery cable from battery.
5. Keep hands, hair, loose clothing, and tools away from moving parts.
6. Reinstall panels or guards and close doors when servicing is finished and before starting engine.

**WARNING**

This product, when used for welding or cutting, produces fumes or gases which contain chemicals known to the State of California to cause birth defects and, in some cases, cancer. (California Health & Safety code Sec. 25249.5 et seq.)

**CAUTION****NOTE!**

Considerations About Welding And The Effects of Low Frequency Electric and Magnetic Fields.

The following is a quotation from the General Conclusions Section of the U.S. Congress, Office of Technology Assessment, Biological Effects of Power

Frequency Electric & Magnetic Fields - Background Paper, OTA-BP-E-63 (Washington, DC: U.S. Government Printing Office, May 1989): "...there is now a very large volume of scientific findings based on experiments at the cellular level and from studies with animals and people which clearly establish that low frequency magnetic fields and interact with, and produce changes in, biological systems. While most of this work is of very high quality, the results are complex. Current scientific understanding does not yet allow us to interpret the evidence in a single coherent framework. Even more frustrating, it does not yet allow us to draw definite conclusions about questions of possible risk or to offer clear science-based advice on strategies to minimize or avoid potential risks."

To reduce magnetic fields in the workplace, use the following procedures.

1. Keep cables close together by twisting or taping them.
2. Arrange cables to one side and away from the operator.
3. Do not coil or drape cable around the body.
4. Keep welding power source and cables as far away from body as practical.

**WARNING**

The above procedures are among those also normally recommended for pacemaker wearers. Consult your doctor for complete information.

## 1.02 PRINCIPAL SAFETY STANDARDS

Safety in Welding and Cutting, ANSI Standard Z49.1, from American Welding Society, 550 N.W. LeJeune Rd., Miami, FL 33126.

Safety and Health Standards, OSHA 29 CFR 1910, from Superintendent of Documents, U.S. Government Printing Office, Washington, D.C. 20402.

Recommended Safe Practices for the Preparation for Welding and Cutting of Containers That Have Held Hazardous Substances, American Welding Society Standard AWS F4.1, from American Welding Society, 550 N.W. LeJeune Rd., Miami, FL 33126.

National Electrical Code, NFPA Standard 70, from National Fire Protection Association, Batterymarch Park, Quincy, MA 02269.

Safe Handling of Compressed Gases in Cylinders, CGA Pamphlet P-1, from Compressed Gas Association, 1235 Jefferson Davis Highway, Suite 501, Arlington, VA 22202.

Code for Safety in Welding and Cutting, CSA Standard W117.2, from Canadian Standards Association, Standards Sales, 178 Rexdale Boulevard, Rexdale, Ontario, Canada M9W 1R3.

Safe Practices for Occupation and Educational Eye and Face Protection, ANSI Standard Z87.1, from American National Standards Institute, 1430 Broadway, New York, NY 10018.

Cutting and Welding Processes, NFPA Standard 51B, from National Fire Protection Association, Batterymarch Park, Quincy, MA 02269.

Safety in welding and allied processes Part 1: Fire Precautions, AS 1674.1-1997 from SAI Global Limited, [www.saiglobal.com](http://www.saiglobal.com).

Safety in welding and allied processes Part 2: Electrical, AS 1674.2-2007 from SAI Global Limited, [www.saiglobal.com](http://www.saiglobal.com).

Filters for eye protectors - Filters for protection against radiation generated in welding and allied operations AS/NZS 1338.1:1992 from SAI Global Limited, [www.saiglobal.com](http://www.saiglobal.com).

This Page Intentionally Blank





## SECTION 2: INTRODUCTION

### 2.01 How To Use This Manual

This Owners Manual only applies to the Part Numbers listed on page i.

To ensure safe operation, read the entire manual, including the chapter on safety instructions and warnings.

Throughout this manual, the words WARNING, CAUTION, and NOTE may appear. Pay particular attention to the information provided under these headings. These special annotations are easily recognized as follows:

	<b>NOTE!</b> An operation, procedure, or background information which requires additional emphasis or is helpful in efficient operation of the system.
	<b>WARNING</b> A procedure which, if not properly followed, may cause injury to the operator or others in the operating area.
	<b>CAUTION</b> A procedure which, if not properly followed, may cause damage to the equipment.
	<b>WARNING</b> Gives information regarding possible electrical shock injury. Warnings will be enclosed in a box such as this.
	<b>DANGER</b> Means immediate hazards which, if not avoided, will result in immediate, serious personal injury or loss of life.

Additional copies of this manual may be purchased by contacting CIGWELD at the address and phone number for your location listed in the inside back cover of this manual. Include the Owner's Manual number and equipment identification numbers.

Electronic copies of this manual can also be downloaded at no charge in Acrobat PDF format by going to the CIGWELD web site listed below and clicking on the Literature Library link:

<http://www.cigweld.com.au>

### 2.02 Equipment Identification

The unit's identification number (specification or part number), model, and serial number usually appear on a nameplate attached to the control panel. In some cases, the nameplate may be attached to the rear panel. Equipment which does not have a control panel such as gun and cable assemblies is identified only by the specification or part number printed on the shipping container. Record these numbers on the bottom of page i for future reference.

### 2.03 Receipt Of Equipment














When you receive the equipment, check it against the invoice to make sure it is complete and inspect the equipment for possible damage due to shipping. If there is any damage, notify the carrier immediately to file a claim. Furnish complete information concerning damage claims or shipping errors to the location in your area listed in the inside back cover of this manual.


















Include all equipment identification numbers as described above along with a full description of the parts in error.




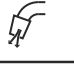
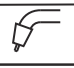

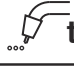
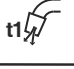
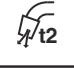





Move the equipment to the installation site before un-crating the unit. Use care to avoid damaging the equipment when using bars, hammers, etc., to uncrate the unit.

### 2.04 Symbol Chart

Note that only some of these symbols will appear on your model.

	On
	Off
	Dangerous Voltage
	Increase/Decrease
	Circuit Breaker
	AC Auxiliary Power
	Fuse
<b>A</b>	Amperage
<b>V</b>	Voltage
<b>Hz</b>	Hertz (cycles/sec)
<b>f</b>	Frequency
<b>-</b>	Negative
<b>+</b>	Positive
	Direct Current (DC)
	Protective Earth (Ground)
	Line
	Line Connection
	Auxiliary Power
<b>115V 15A</b> 	Receptacle Rating-Auxiliary Power

<b>1</b> 	Single Phase
<b>3</b> 	Three Phase
	Three Phase Static Frequency Converter-Transformer-Rectifier
	Remote
<b>X</b>	Duty Cycle
<b>%</b>	Percentage
	Panel/Local
	Shielded Metal Arc Welding (SMAW)
	Gas Metal Arc Welding (GMAW)
	Gas Tungsten Arc Welding (GTAW)
	Air Carbon Arc Cutting (CAC-A)
	Constant Current
	Constant Voltage Or Constant Potential
	High Temperature
	Fault Indication
	Arc Force
	Touch Start (GTAW)
	Variable Inductance
	Voltage Input

	Wire Feed Function
	Wire Feed Towards Workpiece With Output Voltage Off.
	Welding Gun
	Purging Of Gas
	Continuous Weld Mode
	Spot Weld Mode
	Spot Time
	Preflow Time
	Postflow Time
 2 Step Trigger Operation Press to initiate wirefeed and welding, release to stop.	
 4 Step Trigger Operation Press and hold for preflow, release to start arc. Press to stop arc, and hold for preflow.	
	Burnback Time
	Disturbance In Ground System
<b>IPM</b>	Inches Per Minute
<b>MPM</b>	Metres Per Minute
	Spool Gun

Art # A-04937\_AB



## 2.05 Description

This CIGWELD WeldSkill 155 and 185 offer the many benefits of a professional welding machine in a compact, portable, easy to use and affordable self-contained single phase welding inverter. Ideal for welders who want to do light fabrication, maintenance and repairs or DIY around the home without compromising on quality or safety. These multi-process welding inverters are capable of performing MIG (FCAW/GMAW), Stick (MMAW) and Lift TIG (GTAW) welding processes. The Weldskill 155 and 185 are backed by a 2 year warranty\*, equipped with a 10Amp plug, digital voltage and amperage meters, an integrated wire feed unit, Voltage Reduction Device (VRD applicable in Stick mode only), quick connect gas connection and a host of other features. And most importantly the two models are fully compliant to Australian Standard AS 60974.1 and IEC 60974.1.

The WeldSkill 155 and 185 provide excellent welding performance across a broad range of applications when used with the correct welding consumables and procedures. The following instructions detail how to correctly and safely set up the machine and give guidelines on gaining the best efficiency and quality from the power sources. Please read these instructions thoroughly before using the units.



### \*NOTE

Refer to the complete Warranty Schedule at the back of the manual..

## 2.06 User Responsibility

This equipment will perform as per the information contained herein when installed, operated, maintained and repaired in accordance with the instructions provided. This equipment must be checked periodically. Defective equipment (including welding leads) should not be used. Parts that are broken, missing, plainly worn, distorted or contaminated, should be replaced immediately. Should such repairs or replacements become necessary, it is recommended that such repairs be carried out by appropriately qualified persons approved by CIGWELD. Advice in this regard can be obtained by contacting accredited CIGWELD Distributor.

This equipment or any of its parts should not be altered from standard specification without prior written approval of CIGWELD. The user of this equipment shall have the sole responsibility for any malfunction which results from improper use or unauthorised modification from standard specification, faulty maintenance, damage or improper repair by anyone

other than appropriately qualified persons approved by CIGWELD.

## 2.07 Packaged Item

### WeldSkill 155 Inverter (Part No. W1008155)

- WeldSkill 155 Inverter Power Source
- 3m Lead with Twist Lock Electrode Holder
- 3m Lead with Work Clamp
- E-180 MIG torch, 3m, Euro
- Feed Rolls: 0.8/0.9 Flux Cored (fitted)  
0.8/0.9 V Groove
- Shielding Gas Hose
- Cutskill Argon Regulator/Flowmeter
- Operating Manual

### WeldSkill 185 Inverter (Part No. W1008185)

- WeldSkill 185 Inverter Power Source
- 3m Lead with Twist Lock Electrode Holder
- 3m Lead with Work Clamp
- E-180 MIG torch, 3m, Euro
- Feed Rolls: 0.8/0.9 Flux Cored (fitted)  
0.8/0.9 V Groove
- Shielding Gas Hose
- Cutskill Argon Regulator/Flowmeter
- Operating Manual

## 2.08 Transporting Methods

These units are equipped with a handle for carrying purposes.



### WARNING

ELECTRIC SHOCK can kill. DO NOT TOUCH live electrical parts. Disconnect input power conductors from de-energized supply line before moving the welding power source.



### WARNING

FALLING EQUIPMENT can cause serious personal injury and equipment damage.

Lift unit with handle on top of case.

Use handcart or similar device of adequate capacity.

If using a fork lift vehicle, place and secure unit on a proper skid before transporting.

### 2.09 Duty Cycle

The rated duty cycle of a Welding Power Source, is a statement of the time it may be operated at its rated welding current output without exceeding the temperature limits of the insulation of the component parts. To explain the 10 minute duty cycle period the following example is used. Suppose a Welding Power Source is designed to operate at a 15% duty cycle, 90 amperes at 23.6 volts. This means that it has been designed and built to provide the rated amperage (90A) for 1.5 minutes, i.e. arc welding time, out of every 10 minute period (15% of 10 minutes is 1.5 minutes). During the other 8.5 minutes of the 10 minute period the Welding Power Source must idle and allowed to cool.

### 2.10 Specifications

Description	WeldSkill 155	WeldSkill 185
Part Number	W1008155	W1008185
Power Source Dimensions	H371mmxW205mmxD478mm	H371mmxW205mmxD478mm
Power Source Weight	13.7 KG	13.7 KG
Cooling	Fan Cooled	Fan Cooled
Welder Type	Multi Process Inverter Power Source	Multi Process Inverter Power Source
Australian Standard	AS 60974.1-2006 / IEC 60974-1	AS 60974.1-2006 / IEC 60974-1
Number of Phases	Single Phase	Single Phase
Nominal Supply Voltage	240V AC ± 15%	240V AC ± 15%
Nominal Supply Frequency	50/60 Hz	50/60 Hz
Welding Current Range (MIG mode)	30 - 155 A	30 - 185 A
Nominal DC Open Circuit Voltage MIG Weld Mode	69 V (Trigger Switch Depressed when not Welding)	69 V (Trigger Switch Depressed when not Welding)
Open Circuit Voltage (VRD On) Stick Weld Mode	<35 V	<35 V
Open Circuit Voltage (VRD Off) Stick Weld Mode	69 V	69 V
Effective Input Current ( $I_{1eff}$ ) refer Note 2	10 Amps	10 Amps
Maximum Input Current ( $I_{1max}$ )	27 Amps	33 Amps
Minimum Single Phase Generator Recommendation (refer Note 4)	8.0 kVA (at 0.8 Power Factor) 6.0 kW (at 1.0 Power Factor)	10.0 kVA (at 0.8 Power Factor) 8.0 kW (at 1.0 Power Factor)
MIG (GMAW) Welding Output, 40°C, 10 min.	155 A @15%, 21.8V	185 A @10%, 23.3 V
	85 A @ 60%, 18.3V	85 A @60%, 18.3 V
	66 A @ 100%, 17.3V	66 A @100%, 17.3 V
STICK (MMAW) Welding Output, 40°C, 10 min.	135 A @ 15%, 25.4 V	160 A @ 10%, 26.4 V
	67 A @ 60%, 22.7 V	65 A @ 60%, 22.6 V
	52 A @ 100%, 22.1 V	50 A @ 100%, 22 V
TIG (GTAW) Welding Output, 40°C, 10 min.	135 A @ 25%, 15.4 V	160 A @ 20%, 16.4 V
	86 A @ 60%, 13.4 V	93 A @ 60%, 13.7 V
	67 A @ 100%, 12.7 V	72 A @ 100%, 12.9 V
Protection Class	IP21S	IP21S

Table 2-1: Specifications

**NOTE 1**

Due to variations that can occur in manufactured products, claimed performance, voltages, ratings, all capacities, measurements, dimensions and weights quoted are approximate only. Achievable capacities and ratings in use and operation will depend upon correct installation, use, applications, maintenance and service.

**NOTE 2**

The Effective Input Current should be used for the determination of cable size & supply requirements.

**NOTE 3**

Motor start fuses or thermal circuit breakers are recommended for this application. Check local requirements for your situation in this regard.

**NOTE 4**

Minimum Generator Recommendation at the Maximum Output Duty Cycle.

Due to large variations in performance and specifications of different brands and types of generators, CIGWELD cannot guarantee full welding output power or duty cycle on every brand or type of generator.

Some small generators incorporate low cost circuit breakers on their outputs. These circuit breakers usually will have a small reset button, and will trip much faster than a switchboard type circuit breaker. This may result in not being able to achieve full output or duty cycle from the power source / generator combination. For this reason we recommend a generator that incorporates switchboard type circuit breakers.

CIGWELD recommends that when selecting a generator, that the particular power source / generator combination be adequately trialled to ensure the combination performs to the users expectations.

**NOTE 5**

CIGWELD reserves the right to change product performance and specifications without notice.

**NOTE 6**

If an extension lead is required to be used it is recommended to use a minimum size of 1.5mm<sup>2</sup> Heavy Duty Extension Lead. Longer extension leads may impact welding performance and operation.

### 2.11 Optional Accessories

We recommend genuine CIGWELD products.

The biggest range and best quality with guaranteed performance.

Part Number	Description
W4018800	E-180 Mig Torch 3m, Euro (suits WeldSkill 155 & 185)
W6000600	Nozzle
OTW11/23/R	Contact Tip 0.6mm
OTW11/30/R	Contact Tip 0.8mm
OTW11/35/R	Contact Tip 0.9mm
OTW11/40/R	Contact Tip 1.0mm
OTW11/45/R	Contact Tip 1.2mm
W6000606	Gas Diffuser
WS1240015/R	Conduit Liner Steel 5m, 0.6-1.0mm Blue (hard wires)
WS1240031/R	Conduit Liner Steel 4m, 1.0-1.2mm Red (hard wires)
WS1260026/R	Conduit Liner Teflon 4m, 0.8-1.2mm Red (soft wires)
WS0010304/R	Jump Liner 1.0-1.2mm
7977732	Feed Roll 0.8/0.9mm V groove knurled (flux cored) (fitted)
704277	Feed Roll 1.2/1.6mm V groove knurled (flux cored)
7977036	Feed Roll 0.6/0.8mm V groove (hard wires)
7977660	Feed Roll 0.9/1.2mm V groove (hard wires)
7977731	Feed Roll 0.8/0.9mm U groove (soft wires)
7977264	Feed Roll 1.0/1.2mm U groove (soft wires)
W7003021	TIG Torch 17V, flex neck, 3m lead with 50mm <sup>2</sup> dinse (suits WeldSkill 155)
W4013801	TIG Torch 17V with 4m lead and gas valve (suits WeldSkill 185)
W4013800	TIG Torch 17V with 4m lead and gas valve and remote control (suits WeldSkill 185)
BGSAK2	TIG Torch Accessory Kit for 17, 26 & 18 TIG Torches
W4011250	Tweco SGT250 Spool Gun (suits WeldSkill 185)
210254	WeldSkill Argon Regulator / Flowmeter, 55LPM, 2 Gauge
201030	CutSkill Preset Argon Regulator / Flowmeter
WSPLIER	MIG Pliers
W7004913	Shielding Gas Hose Assembly
W4011501	WeldSkill Welding Equipment Trolley
WS42550	WeldSkill Welding Leadset 4m, 25mm <sup>2</sup> cable, 50mm <sup>2</sup> dinse, 250A Twistlock Electrode Holder
WS53550	WeldSkill Welding Leadset 5m, 35mm <sup>2</sup> cable, 50mm <sup>2</sup> dinse, 400A Twistlock Electrode Holder

Table 2-2

**TIG Torch Consumables**

Part Number	Description
BG10N49/R	Nozzle Alumina 8mm, for 17, 26 & 18 TIG Torches (pkt of 5)
BG10N48/R	Nozzle Alumina 10mm, for 17, 26 & 18 TIG Torches (pkt of 5)
BG10N47/R	Nozzle Alumina 11mm, for 17, 26 & 18 TIG Torches (pkt of 5)
BG10N46/R	Nozzle Alumina 12.5mm, for 17, 26 & 18 TIG Torches (pkt of 5)
BG10N22/R	Collet 1.0mm, for 17, 26 & 18 TIG Torches (pkt of 5)
BG10N23/R	Collet 1.6mm, for 17, 26 & 18 TIG Torches (pkt of 5)
BG10N24/R	Collet 2.4mm, for 17, 26 & 18 TIG Torches (pkt of 5)
BG10N25/R	Collet 3.2mm, for 17, 26 & 18 TIG Torches (pkt of 5)
BG10N30/R	Collet Body 1.0mm, for 17, 26 & 18 TIG Torches (pkt of 5)
BG10N31/R	Collet Body 1.6mm, for 17, 26 & 18 TIG Torches (pkt of 5)
BG10N32/R	Collet Body 2.4mm, for 17, 26 & 18 TIG Torches (pkt of 5)
BG10N28/R	Collet Body 3.2mm, for 17, 26 & 18 TIG Torches (pkt of 5)
BG57Y02/R	Back Cap – Long for 17, 26 & 18 TIG Torches (pkt of 2)
BG57Y04/R	Back Cap – Short for 17, 26 & 18 TIG Torches (pkt of 2)

Table 2-3

**TIG Electrodes**

Part Number	Description
699846	Ceriated Electrode 1.6mm x 175mm AC/DC Grey (Pkt of 10)
699847	Ceriated Electrode 2.4mm x 175mm AC/DC Grey (Pkt of 10)
699848	Ceriated Electrode 3.2mm x 175mm AC/DC Grey (Pkt of 10)

Table 2-4

**Related Products**

Part Number	Description
646754	WeldSkill TIG Welding Gloves
646755	WeldSkill Heavy Duty Welding Gloves
454304	WeldSkill Auto Darkening Welding Helmet Fixed Shade 11 Black
454305	WeldSkill Auto Darkening Welding Helmet Variable Shade 9-13 Blue
454314	WeldSkill Auto Darkening Welding Helmet Variable Shade 9-13 Carbon Fibre
454321	WeldSkill Auto Darkening Welding Helmet Variable Shade 9-13 Racer
454322	WeldSkill Auto Darkening Welding Helmet Variable Shade 9-13 Tribal
454323	WeldSkill Auto Darkening Welding Helmet Variable Shade 9-13 White Carbon
454324	WeldSkill Auto Darkening Welding Helmet Variable Shade 9-13 Oz Flag
Note: CIGWELD Electrodes see page 6-2	

Table 2-5

This Page Intentionally Blank.

## SECTION 3: INSTALLATION

### 3.01 Environment

These units are designed for use in environments with increased hazard of electric shock.

A. Examples of environments with increased hazard of electric shock are:

1. In locations in which freedom of movement is restricted, so that the operator is forced to perform the work in a cramped (kneeling, sitting or lying) position with physical contact with conductive parts.
2. In locations which are fully or partially limited by conductive elements, and in which there is a high risk of unavoidable or accidental contact by the operator.

B. Environments with increased hazard of electric shock do not include places where electrically conductive parts in the near vicinity of the operator, which can cause increased hazard, have been insulated.

### 3.02 Location

Be sure to locate the welder according to the following guidelines:

- A. In areas, free from moisture and dust.
- B. Ambient temperature between  $-10^{\circ}\text{C}$  to  $40^{\circ}\text{C}$ .
- C. In areas, free from oil, steam and corrosive gases.
- D. In areas, not subjected to abnormal vibration or shock.
- E. In areas, not exposed to direct sunlight or rain.
- F. Place at a distance of 300mm or more from walls or similar that could restrict natural air flow for cooling.

### 3.03 Ventilation

Since the inhalation of welding fumes can be harmful, ensure that the welding area is effectively ventilated.

### 3.04 Mains Supply Voltage Requirements

The Mains Supply Voltage should be within  $\pm 15\%$  of the rated Mains Supply Voltage. If actual Mains Supply Voltage is outside this range Welding Current may not be available and may cause internal components to fail.

Refer to Specifications on page 2-4 for Supply Voltage information.

The Welding Power Source must be:

- Correctly installed, if necessary, by a qualified electrician.
- Correctly earthed (electrically) in accordance with local regulations.
- Connected to the correct size power point and fuse as per the Specifications on page 2-4.



#### IMPORTANT NOTE!

This product has been fitted with a supply plug as indicated in Section 2.10. Note that the welding output range applicable with the fitted supply plug is detailed in Section 2.10.



#### WARNING

Any electrical work must be carried out by a qualified Electrical Tradesperson.

### 3.05 Generators

Refer to Note 4 on page 2-5 for recommendations when using with a Generator.

### 3.06 Extension Leads

If an extension lead is required to be used it is recommended to use a minimum size of  $1.5\text{mm}^2$  Heavy Duty Extension Lead. Longer extension leads may impact welding performance and operation.

### 3.07 Electromagnetic Compatibility



#### WARNING

Extra precautions for Electromagnetic Compatibility may be required when this Welding Power Source is used in a domestic situation.

#### A. Installation and Use - Users Responsibility

The user is responsible for installing and using the welding equipment according to the manufacturer's instructions. If electromagnetic disturbances are detected then it shall be the responsibility of the user of the welding equipment to resolve the situation with the technical assistance of the manufacturer. In some cases this remedial action may be as simple as earthing the welding circuit, see NOTE below. In other cases it could involve constructing an electromagnetic screen enclosing the Welding Power Source and the work, complete with associated input filters. In all cases, electromagnetic disturbances shall be reduced to the point where they are no longer troublesome.



#### NOTE!

The welding circuit may or may not be earthed for safety reasons. Changing the earthing arrangements should only be authorised by a person who is competent to assess whether the changes will increase the risk of injury, e.g. by allowing parallel welding current return paths which may damage the earth circuits of other equipment. Further guidance is given in IEC 974-13 Arc Welding Equipment - Installation and use (under preparation).

#### B. Assessment of Area

Before installing welding equipment, the user shall make an assessment of potential electromagnetic problems in the surrounding area. The following shall be taken into account

1. Other supply cables, control cables, signalling and telephone cables; above, below and adjacent to the welding equipment.
2. Radio and television transmitters and receivers.
3. Computer and other control equipment.
4. Safety critical equipment, e.g. guarding of industrial equipment.
5. The health of people around, e.g. the use of pacemakers and hearing aids.
6. Equipment used for calibration and measurement.

7. The time of day that welding or other activities are to be carried out.
8. The immunity of other equipment in the environment: the user shall ensure that other equipment being used in the environment is compatible: this may require additional protection measures.

The size of the surrounding area to be considered will depend on the structure of the building and other activities that are taking place. The surrounding area may extend beyond the boundaries of the premises.

#### C. Methods of Reducing Electromagnetic Emissions

##### 1. Mains Supply

Welding equipment should be connected to the mains supply according to the manufacturer's recommendations. If interference occurs, it may be necessary to take additional precautions such as filtering of the mains supply. Consideration should be given to shielding the supply cable of permanently installed welding equipment in metallic conduit or equivalent. Shielding should be electrically continuous throughout its length. The shielding should be connected to the Welding Power Source so that good electrical contact is maintained between the conduit and the Welding Power Source enclosure.

##### 2. Maintenance of Welding Equipment

The welding equipment should be routinely maintained according to the manufacturer's recommendations. All access and service doors and covers should be closed and properly fastened when the welding equipment is in operation. The welding equipment should not be modified in any way except for those changes and adjustments covered in the manufacturer's instructions. In particular, the spark gaps of arc striking and stabilising devices should be adjusted and maintained according to the manufacturer's recommendations.

##### 3. Welding Cables

The welding cables should be kept as short as possible and should be positioned close together, running at or close to the floor level.



#### 4. Equipotential Bonding

Bonding of all metallic components in the welding installation and adjacent to it should be considered. However, metallic components bonded to the work piece will increase the risk that the operator could receive a shock by touching the metallic components and the electrode at the same time. The operator should be insulated from all such bonded metallic components.

#### 5. Earthing of the Workpiece

Where the workpiece is not bonded to earth for electrical safety, nor connected to earth because of its size and position, e.g. ship's hull or building steelwork, a connection bonding the workpiece to earth may reduce emissions in some, but not all instances. Care should be taken to prevent the earthing of the workpiece increasing the risk of injury to users, or damage to other electrical equipment. Where necessary, the connection of the workpiece to earth should be made by direct connection to the workpiece, but in some countries where direct connection is not permitted, the bonding should be achieved by suitable capacitance, selected according to national regulations.

#### 6. Screening and Shielding

Selective screening and shielding of other cables and equipment in the surrounding area may alleviate problems of interference. Screening the entire welding installation may be considered for special applications.

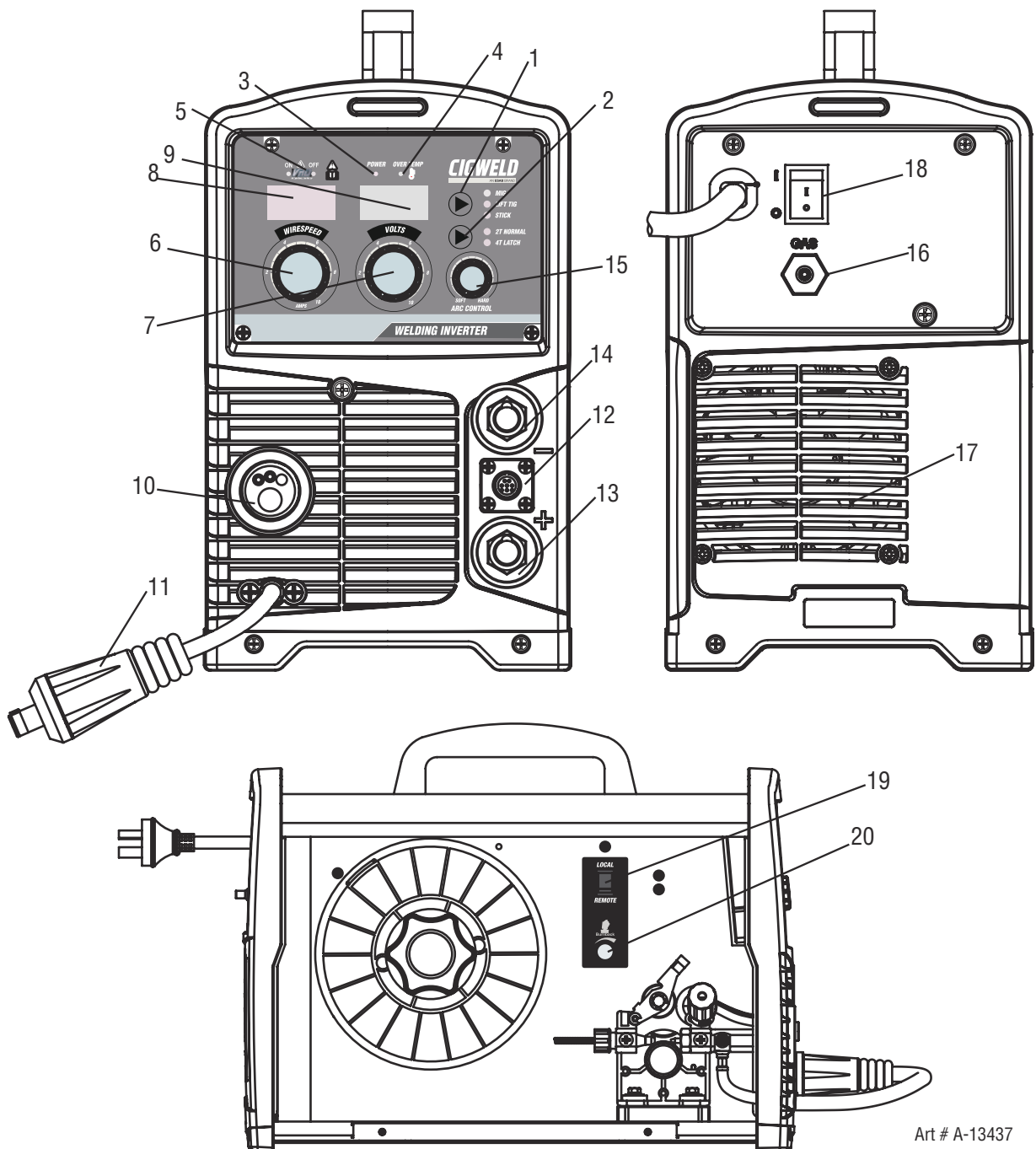
This Page Intentionally Blank

## SECTION 4: OPERATION

### 4.01 Overview

Conventional operating procedures apply when using the Welding Power Source, i.e. connect work lead directly to workpiece and the electrode wire is fed via the MIG Torch (Consult the electrode wire manufacturers information for the correct polarity). The welding current range values should be used as a guide only. Current delivered to the arc is dependent on the welding arc voltage, and as welding arc voltage varies between different classes of electrode wire, welding current at any one setting would vary accordingly to the type of electrode wire in use. The operator should use the welding current range values as a guide, then finally adjust the current setting to suit the application.

### 4.02 Power Source Controls, Indicators and Features



Art # A-13437

Figure 4-1 WeldSkill 185 as Pictured

## **1. Process Selection Control**

The process selection control is used to select the desired welding mode. Three modes are available, MIG (GMAW/FCAW), Lift TIG (GTAW), STICK (MMAW) modes. Refer to section 5.09 or 5.10 for MIG (GMAW/FCAW) set up details, section 7.02 for Lift TIG (GTAW) set-up details or section 6.01 for Stick (MMAW) set-up details.

Note that when the unit is powered off the mode selection control will automatically default to MIG mode. This is necessary so as to prevent inadvertent arcing should an electrode holder be connected to the unit and mistakenly be in contact with the work piece during power up.

## **2. Trigger Mode Control (MIG and Lift TIG Modes WeldSkill 185 only)**

The trigger mode control is used to switch the functionality of the torch trigger between 2T (normal) and 4T (latch mode).

### **2T Normal Mode**

In this mode, the torch trigger must remain depressed for the welding output to be active. Press and hold the torch trigger to activate the power source (weld). Release the torch trigger switch to cease welding.

### **4T Latch Mode**

This mode of welding is mainly used for long welding runs to reduce operator fatigue. In this mode the operator can press and release the torch trigger and the output will remain active. To deactivate the power source, the trigger switch must again be depressed and released, thus eliminating the need for the operator to hold the torch trigger.

## **3. Power Indicator**

The power indicator is illuminated when nominal 240V AC mains power is applied to the power source and the ON/OFF switch located on the rear panel is in the ON position.

## **4. Over Temp Indicator**

This welding power source is protected by a self resetting thermostat. The Over Temp indicator will illuminate if the machine has over heated which normally occurs if the duty cycle of the power source has been exceeded. Should the Over Temp indicator illuminate the output of the power source will be disabled. Leave the power source turned On to allow the internal components to cool down. Once the power source cools down sufficiently the Over Temp indicator will automatically go off. Note that the On/Off switch should remain in the On position such that the fan continues to operate thus allowing the power source to cool sufficiently. Do not switch the power source Off if an Over Temp condition is present.

## **5. VRD ON/OFF Indicator Lights**

A VRD (voltage reduction device) is a hazard reducing device designed to reduce electric shock hazards present on the output of welding power source when operating in STICK (MMAW) mode. Note that the presence of VRD should not be used as a substitute for the use of appropriate safety practices as indicated in Section One of this manual.

The green VRD ON light illuminates (red light is off) when the VRD is active. Under this condition the open circuit voltage of the unit is limited to below 35V DC, thus reducing the potential of serious electric shock (such as when changing electrodes).

The red VRD OFF light illuminates (green light is off) when the VRD is inactive. Under this condition the output voltage of the unit will be at welding potential which in some cases may exceed 35V DC.

## 6. Wirespeed Control (MIG) Amps Control (Stick & TIG)

In MIG (GMAW/FCAW) modes, the Wirespeed Control knob adjusts the speed of the wire feed motor (which in turn adjusts the output current by varying the amount of MIG wire delivered to the welding arc). The optimum wire speed required will depend on the type of welding application. The setup guide on the inside of the wire feed compartment door provides a brief summary of the required output settings for a basic range of MIG welding applications.

The amps control knob adjusts the amount of welding current delivered by the power source. In Stick (MMAW) and TIG (GTAW) modes, the Amps control knob directly adjusts the power inverter to deliver the desired level of output current.

## 7. Voltage Control

In MIG (GMAW/FCAW) mode, the voltage control knob is used to adjust the output voltage of the unit. The welding voltage is increased by turning the knob clockwise or decreased by turning the knob anti-clockwise. The optimum voltage level required will be dependent on the type of welding application. The setup chart on the inside of the wire feed compartment door provides a brief summary of the required output settings for a basic range of MIG welding applications.

## 8. Digital Amps Meter (Left Digital Display)

### *MIG Mode*

This digital meter is used to display the pre-set (preview) Wirefeed Speed in Metres Per Minute (MPM) in MIG mode and actual welding amperage of the power source when welding. At times of non-welding, the digital meter will display a pre-set (preview) value of Wirefeed Speed (MPM). This value can be adjusted by varying the Wirespeed Control Knob (6).

### *STICK and LIFT TIG Modes*

The digital meter is used to display the pre-set (preview) amperage in STICK / LIFT TIG modes and actual welding amperage of the power source when welding. At times of non-welding, the amperage meter will display a pre-set (preview) amperage value in both STICK and LIFT TIG modes. This value can be adjusted by varying the Amps Control Knob (6).

When welding, this digital meter will display actual welding amperage in all modes.

At the completion of welding, the digital meter will hold the last recorded amperage value for a period of approximately 10 seconds in all modes. The amperage meter will hold the value until; (1) any of the front panel controls are adjusted in which case the unit will revert to preview mode, (2) welding is recommenced, in which case actual welding amperage will be displayed, or (3) a period of 10 seconds elapses following the completion of welding in which case the unit will return to preview mode.



### **NOTE**

The preview functionality provided on this power source is intended to act as a guide only. Some differences may be observed between preview values and actual welding values due to factors including the mode of welding, differences in consumables/gas mixtures, individual welding techniques and the transfer mode of the welding arc (ie dip versus spray transfer). Where exact settings are required (in the case of procedural work), it is recommended that alternate measurement methods be utilised to ensure output values are accurate.

## 9. Digital Voltage Meter (Right Digital Display)

### *MIG Mode*

This digital meter is used to display the pre-set (preview) Voltage in MIG mode and actual welding voltage of the power source when welding. At times of non-welding, the digital meter will display a pre-set (preview) value of Voltage. This value can be adjusted by varying the Voltage Control Knob (7).

### *STICK and LIFT TIG Modes*

This digital meter is used to display the Welding Output Terminal Voltage in STICK / LIFT TIG modes during non-welding or welding. This value Cannot be adjusted by varying the Voltage Control Knob (7). When welding, this digital meter will display actual welding voltage in all modes.

At the completion of welding, the digital meter will hold the last recorded voltage value for a period of approximately 10 seconds in all modes. The voltage meter will hold the value until; (1) any of the front panel controls are adjusted in which case the unit will revert to preview mode, (2) welding is recommenced, in which case actual welding amperage will be displayed, or (3) a period of 10 seconds elapses following the completion of welding in which case the unit will return to preview mode.



#### **NOTE**

The preview functionality provided on this power source is intended to act as a guide only. Some differences may be observed between preview values and actual welding values due to factors including the mode of welding, differences in consumables/gas mixtures, individual welding techniques and the transfer mode of the welding arc (ie dip versus spray transfer). Where exact settings are required (in the case of procedural work), it is recommended that alternate measurement methods be utilised to ensure output values are accurate.

## 10. MIG Torch Adaptor (Euro Style)

The MIG torch adaptor is the connection point for the MIG welding torch. Connect the torch by pushing the torch connector into the brass torch adaptor firmly and screwing the plastic torch nut clockwise to secure in position. To remove the MIG torch simply reverse these directions.

## 11. MIG Torch Polarity Lead

The polarity lead is used to connect the MIG torch to the appropriate positive or negative output terminal (allowing polarity reversal for different welding applications). In general, the polarity lead should be connected in to the positive welding terminal (+) when using steel, stainless steel or aluminium electrode wire. When using gasless wire, the polarity lead is generally connected to the negative welding terminal (-). If in doubt, consult the manufacturer of the electrode wire for the correct polarity. It is essential, however, that the male plug is inserted and turned securely to achieve a sound electrical connection.

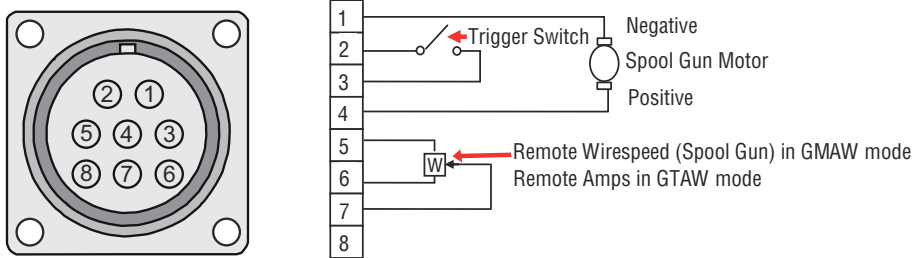


#### **CAUTION**

Loose welding terminal connections can cause overheating and result in the male plug being fused in the Dinse terminal.

## 12. Remote Control Socket (WeldSkill 185 only)

The 8 pin Remote Control Socket is used to connect remote control devices (i.e. Spool Gun or Tig Torch) to the welding power source. To make connections, align keyway, insert plug, and rotate threaded collar fully clockwise.



A-13456

Socket Pin	Function
1	Spool gun motor negative
2	Trigger Switch Input
3	Trigger Switch Input
4	Spool gun motor positive
5	5k ohm (maximum) connection to 5k ohm remote control potentiometer.
6	Zero ohm (minimum) connection to 5k ohm remote control potentiometer.
7	Wiper arm connection to 5k ohm remote control Wirespeed MIG (GMAW) mode potentiometer. Wiper arm connection to 5k ohm remote control Amps TIG (GTAW) mode potentiometer.
8	Not connected

Table 4-1

Note that the remote/local switch (item 19) located in the wirefeed compartment should be set to remote for the amperage/voltage controls to be operative.

## 13. Positive Welding Output Terminal

The positive welding terminal is used to connect the welding output of the power source to the appropriate welding accessory such as the MIG torch (via the MIG torch polarity lead), electrode holder lead or work lead. Positive welding current flows from the power source via this Dinse terminal. It is essential, however, that the male plug is inserted and turned securely to achieve a sound electrical connection.



### CAUTION

Loose welding terminal connections can cause overheating and result in the male plug being fused in the Dinse terminal.

## 14. Negative Welding Output Terminal

The negative welding terminal is used to connect the welding output of the power source to the work lead. Most General Purpose electrodes are connected with work lead to negative. Consult the electrode manufacturer's information for the correct polarity.

Welding current flows from the workpiece via this Dinse type terminal to the power source. It is essential, however, that the male dinse type plug is inserted and turned securely to achieve a sound electrical connection. Do not over tighten.



### CAUTION

Loose welding terminal connections can cause overheating and result in the male plug being fused in the Dinse terminal.

### 15. Arc Control (Inductance)

The arc control operates in MIG(GMAW) mode only and is used to adjust the intensity of the welding arc. Lower arc control settings make the arc softer with less weld spatter. Higher arc control settings give a stronger driving arc which can increase weld penetration.

### 16. Gas Inlet (MIG mode only)

The Gas Inlet connection is a quick connect type inlet fitting used to supply the appropriate MIG welding gas to the unit. Refer to section 5.09 for MIG set up details.

**WARNING**

Only Inert Shielding Gases specifically designed for welding applications should be used.

### 17. Fan

The Fan is turned ON/OFF by the Power Switch on the rear panel of the machine.

### 18. On/Off Switch

This switch is used to turn the unit ON/OFF. When this switch is turned ON the Power Indicator on the front panel will illuminate.

**NOTE**

If the Power Source is repeatedly switched On then Off rapidly or the supply to the power source is turned On and Off rapidly it may not turn On due to inbuilt protective devices acting. If this occurs leave the Power Source On/Off switch turned to the Off position for several minutes to allow for the protective devices to reset.

### 19. Local / Remote Switch (located in wirefeed compartment of WeldSkill 185 only)

The Local / Remote switch is used only when the unit is in Lift Tig Mode and a Tig Torch with Remote Current Control or the unit is in Mig Mode and a Spool Gun is fitted to the unit via the 8 Pin remote control socket (item 12) located on the front panel. When the Local/Remote switch is in the Remote position, the unit will detect the remote device and work accordingly. When in the Local Mode, the unit will not detect the remote device and will operate from the power source controls only. Note that the trigger will operate at all times on the remote control socket irrespective of the position of the Local / Remote switch (ie in both local and remote modes).

When the Local/Remote switch is set to Remote mode, if the unit is in Lift Tig mode and a Tig Torch with Remote Current Control is connected the current output value will be controlled only by the Tig Torch Remote Control. If the unit is in Mig Mode and a Spool Gun fitted with wirespeed control is connected the Spool Gun wirefeed speed will be controlled by the Spool Gun Control. The power source control will be disabled.

### 20. Burnback Control (located in wirefeed compartment)

The burnback control is used to adjust the amount of MIG wire that protrudes from the MIG torch after the completion of MIG welding (commonly referred to as stick out). To decrease the burnback time (or lengthen the amount of wire protruding from the MIG torch at the completing of welding), turn the burnback control knob anti clockwise. To increase the burnback time (or shorten the amount of wire protruding from the torch at the completing of welding), turn the Burnback Control knob clockwise.

### 21. Hot Start Feature (Not Shown)

This feature operates in Stick (MMAW) mode. The Hot Start feature improves the arc start characteristics by momentarily increasing the welding current to a level above the preset amperage (Welding Current). This is a preset feature and is not adjustable.

### 22. Anti Stick Feature (Not Shown)

This feature operates in Stick (MMAW) mode.

The anti stick feature senses when the electrode sticks and automatically reduces the current to prevent the Stick Electrode from sticking to the work piece. This is a preset feature and is not adjustable.



## SECTION 5: MIG (GMAW) WELDING

### 5.01 Shielding Gas Regulator/Flowmeter Operating Instructions



#### WARNING

This equipment is designed for use with welding grade (Inert) shielding gases only..

#### Shielding Gas Regulator/Flowmeter Safety

This regulator/flowmeter is designed to reduce and control high pressure gas from a cylinder or pipeline to the working pressure required for the equipment using it.

If the equipment is improperly used, hazardous conditions are created that may cause accidents. It is the users responsibility to prevent such conditions. Before handling or using the equipment, understand and comply at all times with the safe practices prescribed in this instruction.

SPECIFIC PROCEDURES for the use of regulators/flowmeters are listed below.

1. NEVER subject the regulator/flowmeter to inlet pressure greater than its rated inlet pressure.
2. NEVER pressurize a regulator/flowmeter that has loose or damaged parts or is in a questionable condition. NEVER loosen a connection or attempt to remove any part of a regulator/flowmeter until the gas pressure has been relieved. Under pressure, gas can dangerously propel a loose part.
3. DO NOT remove the regulator/flowmeter from a cylinder without first closing the cylinder valve and releasing gas in the regulator/flowmeter high and low pressure chambers.
4. DO NOT use the regulator/flowmeter as a control valve. When downstream equipment is not in use for extended periods of time, shut off the gas at the cylinder valve and release the gas from the equipment.
5. OPEN the cylinder valve SLOWLY. Close after use.

#### User Responsibilities

This equipment will perform safely and reliable only when installed, operated and maintained, and repaired in accordance with the instructions provided. Equipment must be checked periodically and repaired, replaced, or reset as necessary for continued safe and reliable performance. Defective equipment should not be used. Parts that are broken, missing, obviously worn, distorted, or contaminated should be replaced immediately.

The user of this equipment will generally have the sole responsibility for any malfunction, which results from improper use, faulty maintenance, or by repair by anyone other than an accredited repairer.



#### CAUTION

Match regulator/flowmeter to cylinder. NEVER CONNECT a regulator/flowmeter designed for a particular gas or gases to a cylinder containing any other gas.

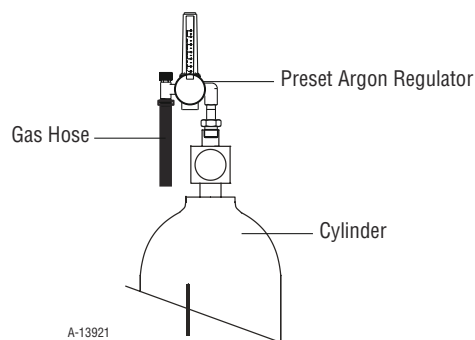


Figure 5-1: Fit Regulator/flowmeter to Cylinder

## Installation

1. Remove cylinder valve plastic dust seal. Clean the cylinder valve outlet of impurities that may clog orifices and damage seats before connecting the regulator/flowmeter.

Crack the valve (open then close) momentarily, pointing the outlet away from people and sources of ignition. Wipe with a clean lint free cloth.

2. Match regulator/flowmeter to cylinder. Before connecting, check that the regulator/flowmeter label and cylinder marking agree and that the regulator/flowmeter inlet and cylinder outlet match. NEVER CONNECT a regulator/flowmeter designed for a particular gas or gases to a cylinder containing any other gas.
3. Connect the regulator/flowmeter inlet connection to cylinder or pipeline and tighten it firmly but not excessively, with a suitable spanner.
4. Connect and tighten the outlet hose firmly and attach down-stream equipment. The flowmeter must be in the vertical position to read accurately.
5. The regulator/flowmeter has a self-reseating relief valve – not designed to protect down stream equipment. To protect sensitive down-stream equipment a separate safety device may be necessary.

## Operation

With the regulator/flowmeter connected to cylinder or pipeline:

1. Stand to one side of regulator/flowmeter and slowly open the cylinder valve. If opened quickly, a sudden pressure surge may damage internal regulator/flowmeter parts.
2. Since the regulator is a preset type, no adjustments to the regulator are necessary. Before opening the cylinder valve, be sure that the flow adjusting valve is in a finger-tight "OFF" position (clockwise).
3. Slowly and carefully, open the cylinder valve until the maximum pressure registers on the high pressure gauge.



### CAUTION

DO NOT purge oxidising or flammable gases in the presence of flame, lighted cigarettes, or other sources of ignition or in a confined space. Open each downstream valve in turn, if more than one regulator is used. Close one valve before opening the next one. This procedure will prevent explosive gas mixtures occurring in the welding hose between regulators and equipment.

Close equipment valve(s) after purging, and test all connections for leaks with a suitable leak detection solution or soapy water. Never use a flame when testing for leaks.

## Adjusting Flow Rate

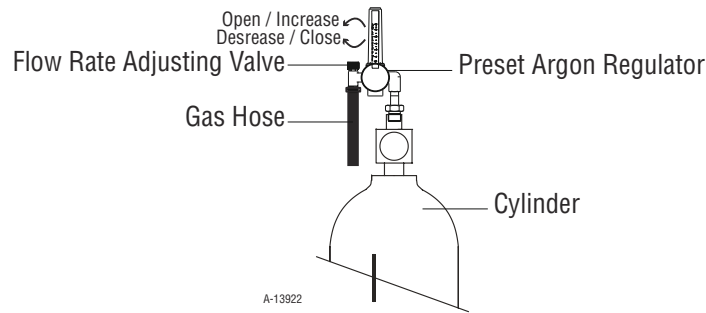


Figure 5-2: Adjust Flow Rate

With the regulator/flowmeter ready for operation, adjust working flow rate as follows:

1. Slowly turn adjusting valve in anti-clockwise direction to open and increase until the bobbin in the flow tube indicates the required flow rate.



### NOTE 5

It may be necessary to re-check the shielding gas regulator/flowmeter flow rate following the first weld sequence due to back pressure present within shielding gas hose assembly.

2. To reduce flow rate, allow the welding grade shielding gas to discharge from regulator/flowmeter by opening the downstream valve. Bleed welding grade shielding gas into a well ventilated area and away from any ignition source. Turn adjusting screw clockwise, until the required flow rate is indicated on the gauge. Close downstream valve.

## Shutdown

Close cylinder valve whenever the regulator/flowmeter is not in use. To shut down for extended periods (more than 30 minutes).

1. Close cylinder or upstream valve tightly.
2. Open downstream equipment valves to drain the lines. Bleed gas into a well ventilated area and away from any ignition source.
3. After gas is drained completely, disengage adjusting screw and close downstream equipment valves.
4. Before transporting cylinders that are not secured on a cart designed for such purposes, remove regulators/flowmeters.

### 5.02 Attaching the MIG Torch (Euro)

Fit the MIG Torch to the power source by pushing the MIG torch connector into the MIG torch adaptor and screwing the plastic torch nut clockwise to secure the MIG torch to the MIG torch adaptor.

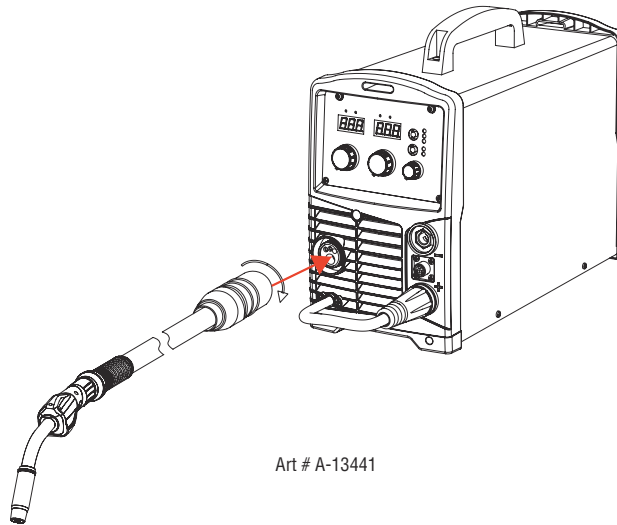



Figure 5-3: Attaching MIG Torch

### 5.03 Installing Minispool (100mm diameter)

As delivered from the factory, the unit is fitted with a Wire Spool Hub which accepts a Handispools of 200mm diameter.

In order to fit a Minispool (100mm diameter) assemble parts in the sequence shown below in Figure 5-4.

The nut and spring tighten the brake. The brake is correctly adjusted when the spool stops within 10 to 20mm (measured at the outer edge of the spool) after Mig Torch trigger is released. Wire should be slack without becoming dislodged from the spool.



**CAUTION**

Overtension of brake will cause rapid wear of mechanical WIREFEED parts, overheating of electrical componentry and possibly an increased incidence of wire Burnback into contact tip.

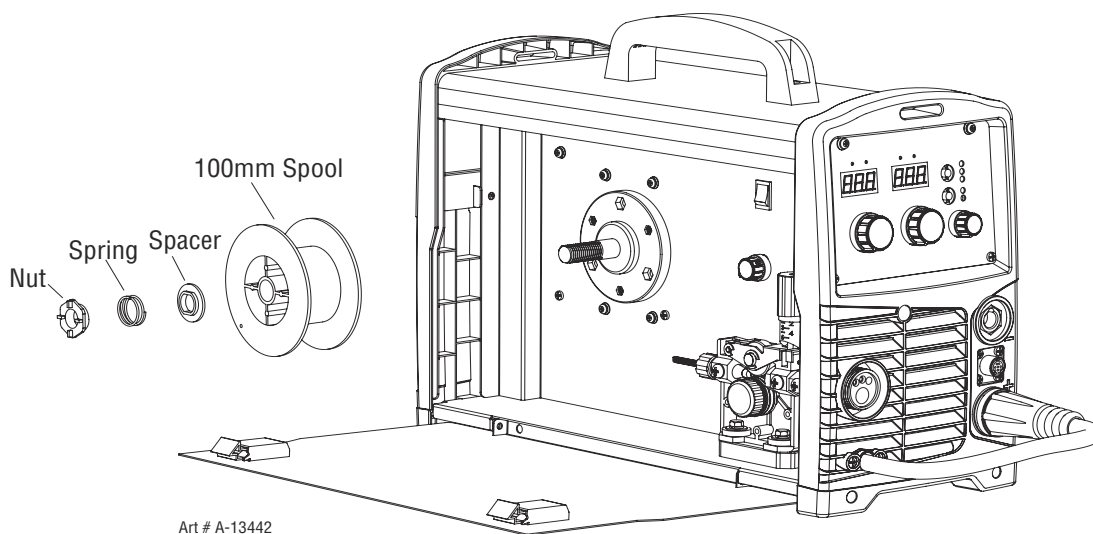


Figure 5-4: 100mm Spool Installation

## 5.04 Installing Handispool (200mm diameter)

As delivered from the factory, the unit is set for a Handispool (200mm diameter).

In order to re-fit a 200mm spool assemble parts in the sequence shown below in Figure 5-5.

Adjustment of the nut will control the Mig Wire Spool Brake. Clockwise rotation of this nut tightens the brake. The Brake is correctly adjusted when the spool stops within 10 to 20mm (measured at the outer edge of the spool) after Mig Torch trigger is released. Wire should be slack without becoming dislodged from the spool.



### CAUTION

Overtension of brake will cause rapid wear of mechanical WIREFEED parts, overheating of electrical componentry and possibly an increased incidence of wire Burnback into contact tip.

Ensure that the alignment pin on the wire spool hub aligns with the hole allocated in the Handispool.



### NOTE

This spool hub nut can be removed by unscrewing in an anticlockwise direction and locating in the appropriate position.

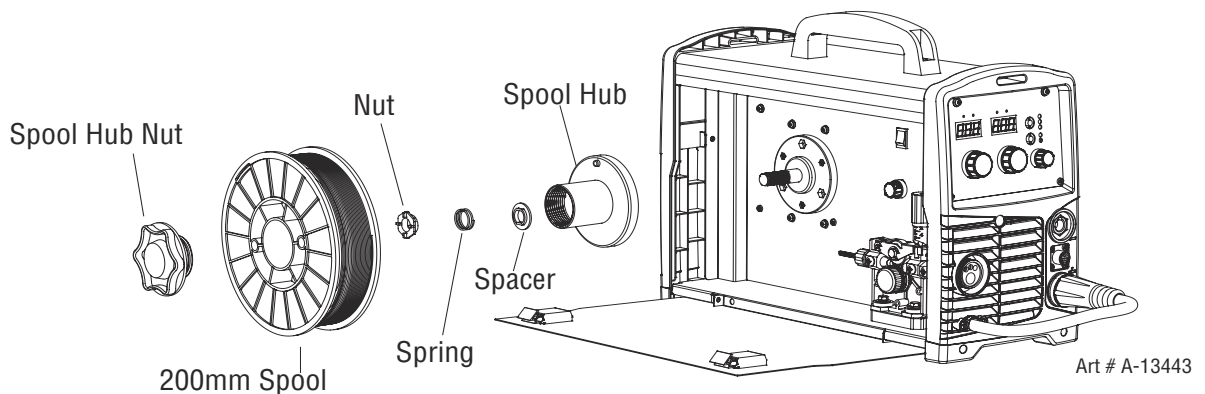


Figure 5-5: 200mm Handispool Installation

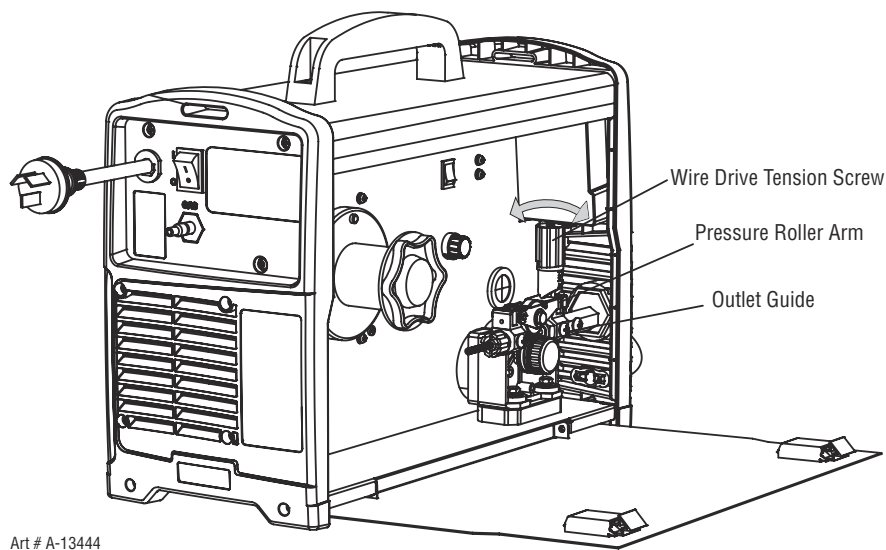
### 5.05 Inserting Wire into the Wire Feed Mechanism

Release the tension from the pressure roller by turning the adjustable wire drive tension screw in an anti-clockwise direction. Then to release the pressure roller arm pull the pressure roller arm tension screw forward to release the pressure roller arm (Figure 5-6). With the MIG welding wire feeding from the bottom of the spool (Figure 5-7) pass the wire through the inlet guide, between the rollers, through the outlet guide and into the MIG torch. Re-secure the pressure roller arm and wire drive tension screw and adjust the pressure accordingly (Figure 5-6). Remove the contact tip from the MIG torch. With the MIG Torch lead reasonably straight, feed the wire through the torch by depressing the trigger switch. Fit the appropriate contact tip.



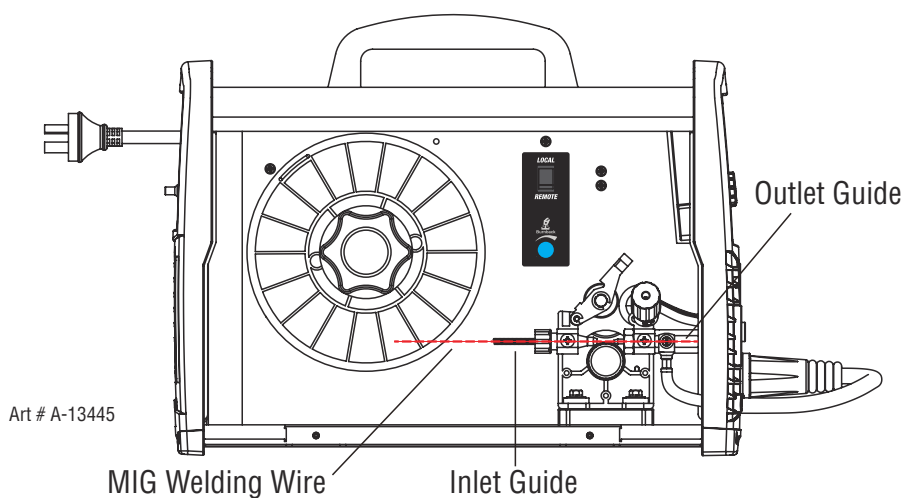
#### WARNING

Before connecting the work clamp to the work piece make sure the mains power supply is switched off.  
The wire will be at welding voltage potential while it is being feed through the system.  
Keep Mig Torch away from eyes and face.



Art # A-13444

Figure 5-6: Wire Drive Assembly Components



Art # A-13445

Figure 5-7: Mig Welding Wire - Installation

## 5.06 Feed Roller Pressure Adjustment

The pressure (top) roller applies pressure to the grooved feed roller via an adjustable pressure screw. These devices should be adjusted to a minimum pressure that will provide satisfactory WIREFEED without slippage. If slipping occurs, and inspection of the wire contact tip reveals no wear, distortion or burn back jam, the conduit liner should be checked for kinks and clogging by metal flakes and swarf. If it is not the cause of slipping, the feed roll pressure can be increased by rotating the pressure screw clockwise.



### WARNING

Before changing the feed roller ensure that the mains supply to the power source is switched off..



### CAUTION

The use of excessive pressure may cause rapid wear of the feed rollers, shafts and bearing.

## 5.07 Changing the Feed Roll

To change feed roll remove the feed roll retaining screw by turning in an anticlockwise direction. Once the feed roll is removed then to replace feed roll simply reverse these directions.

A dual groove feed roller is fitted as standard. It can accommodate 0.8/0.9mm Gasless Flux Cored Wires. Select the roller required with the chosen wire size marking facing outward.

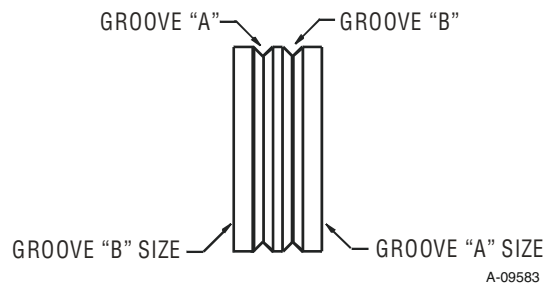


Figure 5-8: Dual Groove Feed Roller

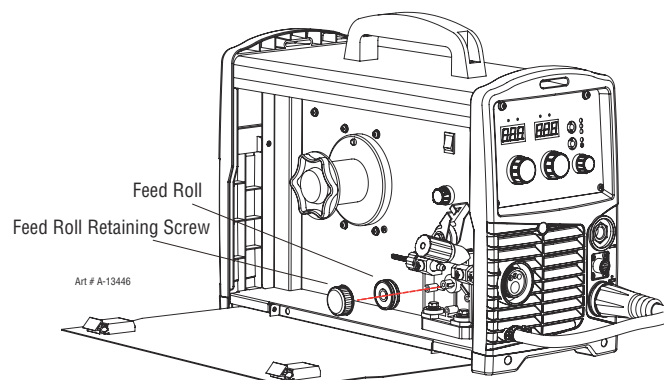


Figure 5-9: Changing the Feed Roll

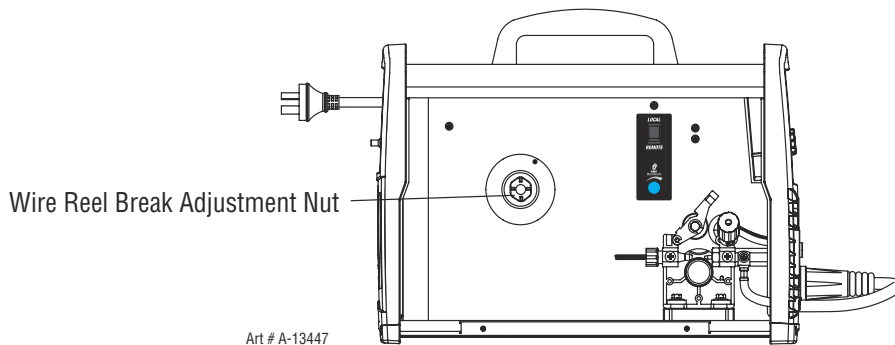
## 5.08 Wire Reel Brake

The wire reel hub incorporates a friction brake which is adjusted during manufacture for optimum breaking. If it is considered necessary, adjustment can be made by turning the large nut inside the open end of the hub clockwise to tighten the brake. Correct adjustment will result in the wire reel circumference continuing no further than 10-20mm after release of the trigger. The wire should be slack without becoming dislodged from wire spool.



### CAUTION

Overtension of brake will cause rapid wear of mechanical WIREFEED parts, overheating of electrical componentry and possibly an increased incidence of electrode wire Burnback into contact tip.



Art # A-13447

Figure 5-10: Wire Reel Brake

## 5.09 Setup for MIG (GMAW) Welding with Gas Shielded Mig Wire

- Fit the MIG Torch to the Power Source. (Refer to section 5.02 Attaching the MIG Torch).
- Connect the Mig torch polarity lead to the positive welding terminal (+). If in doubt, consult the wire manufacturer. Welding current flows from the Power Source via Dinse terminals. It is essential, however, that the male plug is inserted and turned securely to achieve a sound electrical connection.
- Switch the Power Source On/Off switch located on the rear of the Power Source to the On position and ensure the Power indicator on the Front Panel is illuminated. Set the MIG Torch trigger switch operation either 2T or 4T mode (WeldSkill 185 only). Refer to section 4.02.2.
- Select MIG mode with the process selection control. (refer to Section 4.02.1 for further information).
- Fit the correct Feed Roll for the Gas Shielded MIG wire being used. Refer to section 2.11 Options and Accessories for Feed Roll types and Part Numbers

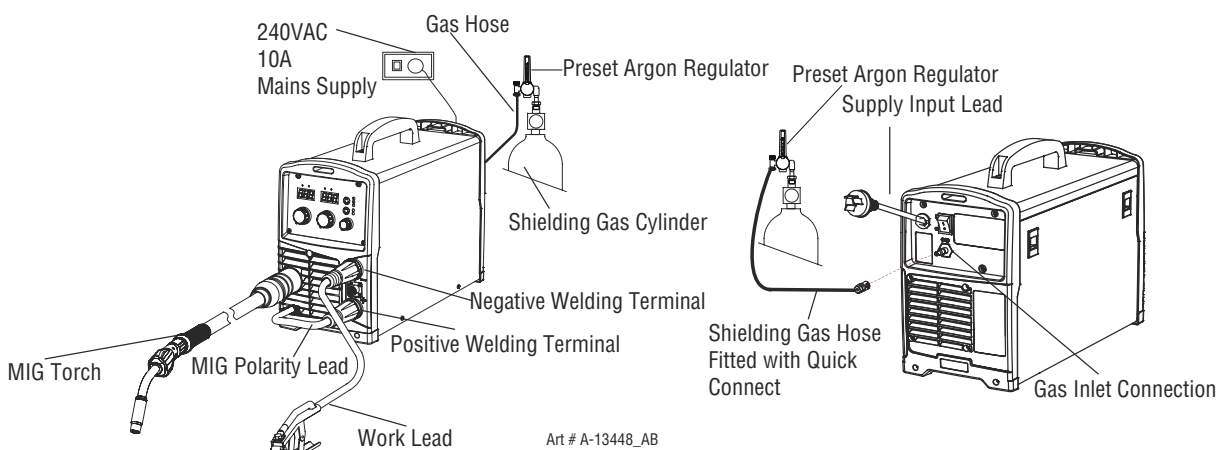


Figure 5-11: Setup for Mig Welding with Gas Shielded Mig Wire



- F. Place the MIG wire spool onto the spool holder. Refer to sections 5.03 for 100mm diameter spools or 5.04 for 200mm diameter spools.
- G. Feed wire through the wire drive mechanism. Refer to section 5.05.
- H. Connect the work lead to the negative welding terminal (-). If in doubt, consult the wire manufacturer. Welding current flows from the Power Source via Dinse terminals. It is essential, however, that the male plug is inserted and turned securely to achieve a sound electrical connection.
- I. Fit the welding grade shielding gas regulator/flowmeter to the shielding gas cylinder (refer to Section 5.01) then connect the shielding gas hose from the shielding gas regulator/flowmeter outlet to the quick connect Shielding Gas Inlet fitting gas on the rear of the WeldSkill 155 or WeldSkill 185 Power Source. Ensure that the shielding gas hose connection is sufficiently tight at the regulator connection and the quick connect fitting "locks" into place correctly on the rear of the power source.
- J. As a guide for the welding parameter settings for the welding job refer to the Weld Guide located on the inside of the wirefeed compartment door. Power Source settings are adjusted using the front panel controls. Refer to section 4.02.

**WARNING**

Before connecting the work clamp to the work piece make sure the mains power supply is switched off..

**WARNING**

Secure the welding grade shielding gas cylinder in an upright position by chaining it to a suitable stationary support to prevent falling or tipping..

**CAUTION**

Loose welding terminal connections can cause overheating and result in the male plug being fused in the terminal. Remove any packaging material prior to use. Do not block the air vents at the front or rear of the Welding Power Source.

## 5.10 Setup for MIG (GMAW) Welding with Gasless MIG Wire (Flux Cored)

- A. Fit the MIG Torch to the Power Source. (Refer to section 5.02 Attaching the MIG Torch).
- B. Connect the Mig Torch polarity lead to the negative welding terminal (-). If in doubt, consult the wire manufacturer. Welding current flows from the power source via Dinse terminals. It is essential, however, that the male plug is inserted and turned securely to achieve a sound electrical connection.
- C. Switch the Power Source On/Off switch (refer 4.02.18) located on the rear of the Power Source to the On position and ensure the Power indicator on the Front Panel is illuminated. Set the MIG Torch trigger switch operation either 2T or 4T mode (WeldSkill 185 only). Refer to section 4.02.2.
- D. Select MIG mode with the process selection control (refer to Section 4.02.1 for further information).
- E. Fit the correct V Knurled Feed Roll for the Gasless MIG wire being used. Refer to section 2.11 Options and Accessories for Feed Roll types and Part Numbers
- F. Place the MIG wire spool onto the spool holder. Refer to sections 5.03 for 100mm diameter spools or 5.04 for 200mm diameter spools.
- G. Feed wire through the wire drive mechanism. Refer to section 5.05.

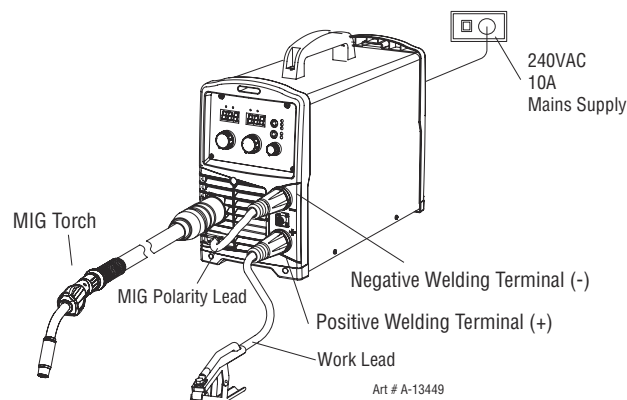


Figure 5-12: Setup for Mig Welding with Gasless Mig Wire

- H. Connect the work lead to the positive welding terminal (+). If in doubt, consult the wire manufacturer. Welding current flows from the power source via Dinse terminals. It is essential, however, that the male plug is inserted and turned securely to achieve a sound electrical connection.
- I. As a guide for the welding parameter settings for the welding job refer to the Weld Guide located on the inside of the wirefeed compartment door. Power Source settings are adjusted using the front panel controls. Refer to section 4.02.



### WARNING

Before connecting the work clamp to the work piece make sure the mains power supply is switched off..



### CAUTION

Loose welding terminal connections can cause overheating and result in the male plug being fused in the terminal. Remove any packaging material prior to use. Do not block the air vents at the front or rear of the Welding Power Source.

## 5.11 Setup for SPOOL GUN MIG (GMAW) Welding with Gas Shielded Mig Wire (WeldSkill 185 Only)

- A. Select MIG mode with the process selection control (refer to Section 4.02.01 for further information).
- B. Connect the Mig torch polarity lead to the positive welding terminal (+). If in doubt, consult the wire manufacturer. Welding current flows from the Power Source via Dinse type terminals. It is essential, however, that the male plug is inserted and turned securely to achieve a sound electrical connection.
- C. Fit the Euro Spool Gun to the power source using the front panel EURO torch adaptor (refer also to section 5.02 Attaching the Mig Gun). Connect the 8 pin Remote Control Plug to the 8 pin Remote Control Socket on the power source. Ensure 8 pin plug is correctly fitted to the 8 pin socket on front panel and collar on plug is tightened firmly.
- D. Connect the work lead to the negative welding terminal (-). If in doubt, consult the wire manufacturer. Welding current flows from the Power Source via Dinse type terminals. It is essential, however, that the male plug is inserted and turned securely to achieve a sound electrical connection.
- E. Fit the welding grade shielding gas regulator/flowmeter to the shielding gas cylinder (refer to Section 5.01) then connect the shielding gas hose from the shielding gas regulator/flowmeter outlet to the quick connect Shielding Gas Inlet fitting gas on the rear of the WeldSkill 185 Power Source. Ensure that the shielding gas hose connection is sufficiently tight at the regulator connection and the quick connect fitting "locks" into place correctly on the rear of the power source.
- F. Refer to the Weld Guide located on the inside of the wirefeed compartment door for further information.
- G. Select MIG mode with the process selection control (refer to section 4.02.01 for further information).
- H. Set the Local/Remote Switch located inside the wire drive compartment, to Remote.

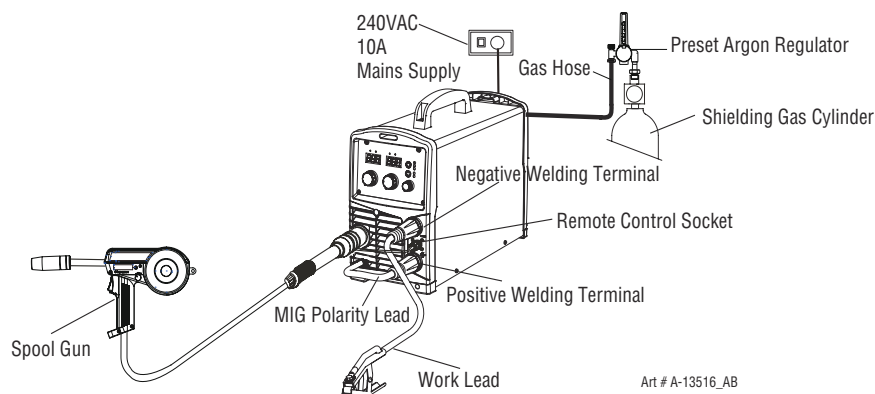


Figure 5-13: Setup for Spool Gun Welding with Gas Shielded Mig Wire with WeldSkill 185



### WARNING

Before connecting the work clamp to the work piece make sure the mains power supply is switched off. Secure the welding grade shielding gas cylinder in an upright position by chaining it to a suitable stationary support to prevent falling or tipping.



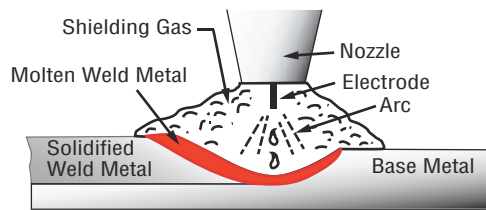
### CAUTION

Loose welding terminal connections can cause overheating and result in the male plug being fused in the terminal. Remove any packaging material prior to use. Do not block the air vents at the front or rear of the Welding Power Source.

### 5.12 MIG (GMAW/FCAW) Basic Welding Technique

Two different welding processes are covered in this section (GMAW and FCAW), with the intention of providing the very basic concepts in using the Mig mode of welding, where a welding gun is hand held, and the electrode (welding wire) is fed into a weld puddle, and the arc is shielded by an inert welding grade shielding gas or inert welding grade shielding gas mixture.

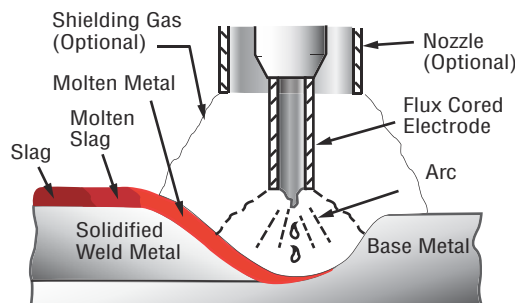
**GAS METAL ARC WELDING (GMAW):** This process, also known as MIG welding, CO<sub>2</sub> welding, Micro Wire Welding, short arc welding, dip transfer welding, wire welding etc., is an electric arc welding process which fuses together the parts to be welded by heating them with an arc between a solid continuous, consumable electrode and the work. Shielding is obtained from an externally supplied welding grade shielding gas or welding grade shielding gas mixture. The process is normally applied semi automatically; however the process may be operated automatically and can be machine operated. The process can be used to weld thin and fairly thick steels, and some non-ferrous metals in all positions.



**GMAW Process** Art # A-8991\_AB

Figure 5-14

**FLUX CORED ARC WELDING (FCAW):** This is an electric arc welding process which fuses together the parts to be welded by heating them with an arc between a continuous flux filled electrode wire and the work. Shielding is obtained through decomposition of the flux within the tubular wire. Additional shielding may or may not be obtained from an externally supplied gas or gas mixture. The process is normally applied semi automatically; however the process may be applied automatically or by machine. It is commonly used to weld large diameter electrodes in the flat and horizontal position and small electrode diameters in all positions. The process is used to a lesser degree for welding stainless steel and for overlay work.



**FCAW Process** Art # A-08992\_AB

Figure 5-15

#### Position of MIG Torch

The angle of MIG torch to the weld has an effect on the width of the weld.

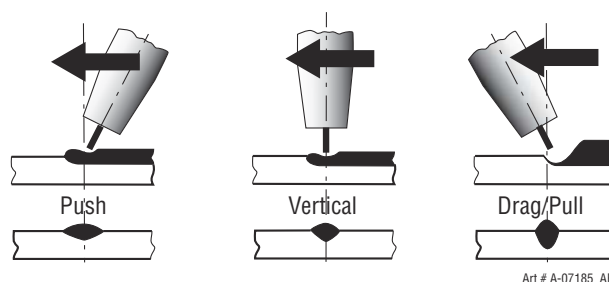


Figure 5-16

The welding gun should be held at an angle to the weld joint. (see Secondary Adjustment Variables below)

Hold the gun so that the welding seam is viewed at all times. Always wear the welding helmet with proper filter lenses and use the proper safety equipment.

**CAUTION**  
 Do not pull the welding gun back when the arc is established. This will create excessive wire extension (stick-out) and make a very poor weld.

The electrode wire is not energized until the gun trigger switch is depressed. The wire may therefore be placed on the seam or joint prior to lowering the helmet.

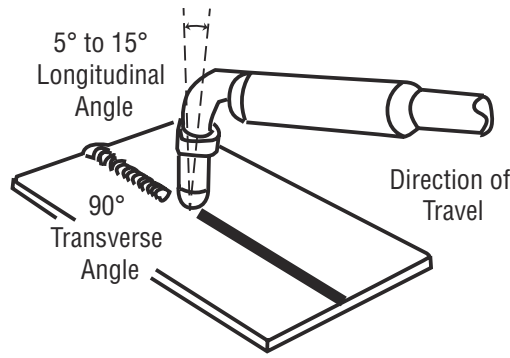


Figure 5-17

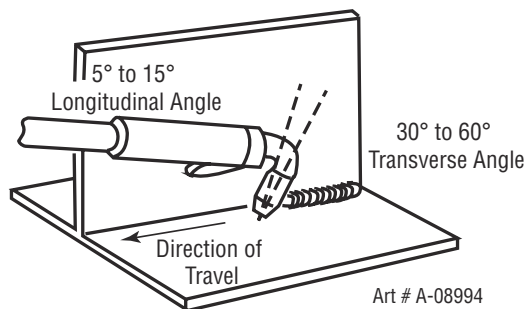
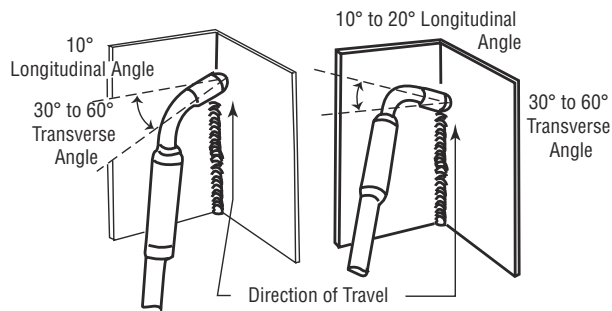
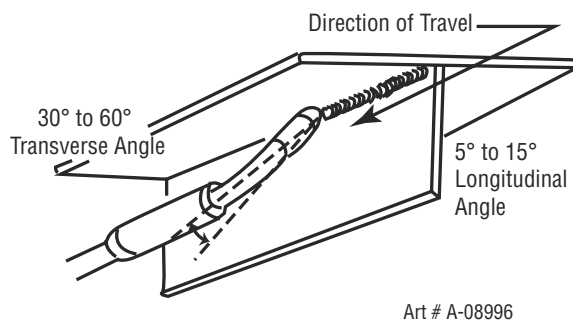


Figure 5-18



Vertical Fillet Welds Art # A-08995

Figure 5-19



Art # A-08996

Figure 5-20

### Distance from the MIG Torch Nozzle to the Work Piece

The electrode wire stick out from the MIG Torch nozzle should be between 10mm to 20.0mm. This distance may vary depending on the type of joint that is being welded.

### Travel Speed

The speed at which the molten pool travels influences the width of the weld and penetration of the welding run.

### MIG Welding (GMAW) Variables

Most of the welding done by all processes is on carbon steel. The items below describe the welding variables in short-arc welding of 24gauge (0.024", 0.6mm) to 1/4" (6.4mm) mild sheet or plate. The applied techniques and end results in the GMAW process are controlled by these variables.

#### Preselected Variables

Preselected variables depend upon the type of material being welded, the thickness of the material, the welding position, the deposition rate and the mechanical properties. These variables are:

- Type of electrode wire
- Size of electrode wire
- Type of gas (not applicable to self shielding wires FCAW)
- Gas flow rate (not applicable to self shielding wires FCAW)

#### Primary Adjustable Variables

These control the process after preselected variables have been found. They control the penetration, bead width, bead height, arc stability, deposition rate and weld soundness. They are:

- Arc Voltage
- Welding current (wire feed speed)
- Travel speed

#### Secondary Adjustable Variables

These variables cause changes in primary adjustable variables which in turn cause the desired change in the bead formation. They are:

1. Stick-out (distance between the end of the contact tube (tip) and the end of the electrode wire). Maintain at about 10mm stick-out.
2. Wire Feed Speed. Increase in wire feed speed increases weld current, Decrease in wire feed speed decreases weld current.

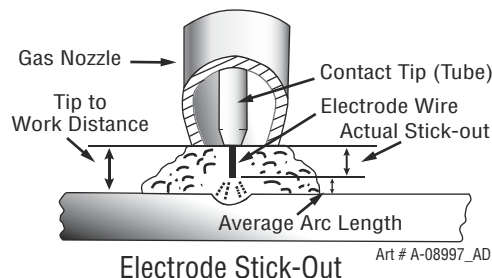


Figure 5-21

3. Nozzle Angle. This refers to the position of the welding gun in relation to the joint. The transverse angle is usually one half the included angle between plates forming the joint. The longitudinal angle is the angle between the centre line of the welding gun and a line perpendicular to the axis of the weld. The longitudinal angle is generally called the Nozzle Angle and can be either trailing (pulling) or leading (pushing). Whether the operator is left handed or right handed has to be considered to realize the effects of each angle in relation to the direction of travel.

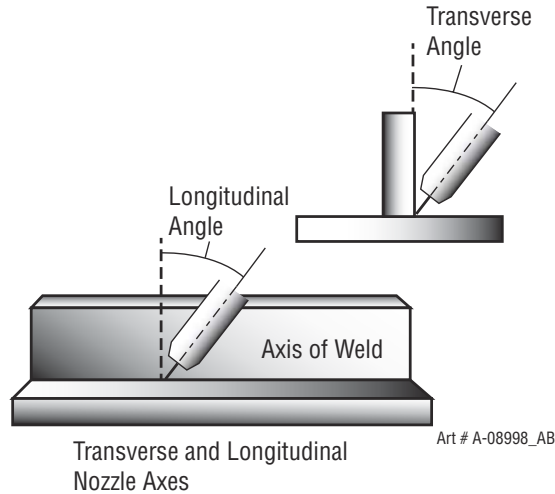


Figure 5-22

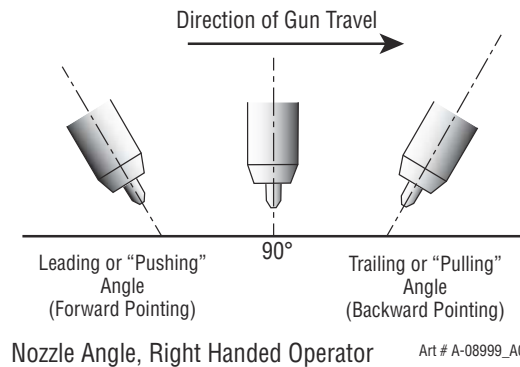


Figure 5-23

### Establishing the Arc and Making Weld Beads

Before attempting to weld on a finished piece of work, it is recommended that practice welds be made on a sample metal of the same material as that of the finished piece.

The easiest welding procedure for the beginner to experiment with MIG welding is the flat position. The equipment is capable of flat, vertical and overhead positions.

For practicing MIG welding, secure some pieces of 16 or 18 gauge (0.06" 1.5mm or 0.08" 2.0mm) mild steel plate 6" x 6" (150 x 150mm). Use 0.030" (0.8mm) flux cored gasless wire or a solid wire with shielding gas.

### **Setting of the Power Source**

Power source and Wirefeeder setting requires some practice by the operator, as the welding plant has two control settings that have to balance. These are the Wirespeed control (refer to section 4.02.06) and the welding Voltage Control (refer to section 4.02.07). The welding current is determined by the Wirespeed control, the current will increase with increased Wirespeed, resulting in a shorter arc. Less wire speed will reduce the current and lengthen the arc. Increasing the welding voltage hardly alters the current level, but lengthens the arc. By decreasing the voltage, a shorter arc is obtained with a little change in current level.

When changing to a different electrode wire diameter, different control settings are required. A thinner electrode wire needs more Wirespeed to achieve the same current level.

A satisfactory weld cannot be obtained if the Wirespeed and Voltage settings are not adjusted to suit the electrode wire diameter and the dimensions of the work piece.

If the Wirespeed is too high for the welding voltage, “stubbing” will occur as the wire dips into the molten pool and does not melt. Welding in these conditions normally produces a poor weld due to lack of fusion. If, however, the welding voltage is too high, large drops will form on the end of the wire, causing spatter. The correct setting of voltage and Wirespeed can be seen in the shape of the weld deposit and heard by a smooth regular arc sound. Refer to the Weld Guide located on the inside of the wirefeed compartment door for setup information.

### **Electrode Wire Size Selection**

The choice of Electrode wire size and shielding gas used depends on the following

- Thickness of the metal to be welded
- Type of joint
- Capacity of the wire feed unit and Power Source
- The amount of penetration required
- The deposition rate required
- The bead profile desired
- The position of welding
- Cost of the wire



## 5.13 CIGWELD MIG Wire Selection Chart

# WeldSkill 155/185

## WELDING WIRE SELECTION CHART

DESCRIPTION	DIAMETER	PACK	PART NUMBER	APPLICATION
WELDSKILL SOLID WELDING WIRE	0.6mm	Minispool 0.9kg	WS0906	General purpose welding wire suitable for the all positional Gas Metal Arc Welding (GMAW) of mild and low alloy steels, used in general fabrication and for welding of light to medium gauge sheet and tubular steel sections. Note that a suitable shielding gas is required.
	0.6mm	Handispool 5kg	WS5006	
	0.8mm	Minispool 0.9kg	WS0908	
	0.8mm	Handispool 5kg	WS5008	
	0.9mm	Minispool 0.9kg	WS0909	
	0.9mm	Handispool 5kg	WS5009	
WELDSKILL GASLESS WELDING WIRE	0.8mm	Minispool 0.9kg	WG0908	WeldSkill Gasless wire is an all positional self-shielded flux cored wire recommended for single pass welding applications only. It is excellent for single-pass lap, fillet and butt welding of thin gauged galvanised and mild steels.
	0.8mm	Handispool 4.5kg	WG4508	
	0.9mm	Minispool 0.9kg	WG0909	
	0.9mm	Handispool 4.5kg	WG4509	
AUTOCRAFT 316LSI SOLID STAINLESS STEEL MIG WIRE	0.8mm	Minispool 1kg	721285	General purpose all positional stainless steel wire providing excellent results when used with correct shielding gas. Suitable for the general welding of a wide range of stainless steels (300 & 400 series).
	0.8mm	Handispool 5kg	720288	
	0.9mm	Handispool 5kg	720283	
AUTOCRAFT AL5356 SOLID ALUMINIUM MIG WIRE	0.9mm	Minispool 0.5kg	721223	Excellent general purpose Aluminium MIG wire suitable for the welding of a wide range of wrought and cast Aluminium alloys containing Magnesium. Note that a suitable shielding gas is required.
	1.0mm	Minispool 0.5kg	721224	
	1.0mm	Handispool 2kg	723224	
AUTOCRAFT SILICON BRONZE MIG WIRE	0.8mm	Handispool 5kg	720159	Used for lower strength welding of steels in automotive applications. It can also be used for welding copper-silicon alloys in hot water systems, heat exchangers and marine components.

NOTE: MINISPOOL = 100MM DIAMETER, HANDISPOOL = 200MM DIAMETER

Table 5-1: Cigweld MIG Wire Selection Chart

## 5.14 MIG (GMAW/FCAW) Welding Troubleshooting

### Solving Problems Beyond the Welding Terminals

The general approach to fix Gas Metal Arc Welding (GMAW) problems is to start at the wire spool then work through to the MIG torch. There are two main areas where problems occur with GMAW, Porosity and Inconsistent wire feed

### Solving Problems Beyond the Welding Terminals - Porosity

When there is a gas problem the result is usually porosity within the weld metal. Porosity always stems from some contaminant within the molten weld pool which is in the process of escaping during solidification of the molten metal. Contaminants range from no gas around the welding arc to dirt on the work piece surface. Porosity can be reduced by checking the following points.

FAULT	CAUSE
1 Shielding gas cylinder contents and flow meter.	Ensure that the shielding gas cylinder is not empty and the flow meter is correctly adjusted to 15 litres per minute.
2 Gas leaks.	Check for gas leaks between the regulator/cylinder connection and in the gas hose to the Power Source.
3 Internal gas hose in the Power Source.	Ensure the hose from the solenoid valve to the torch adaptor has not fractured and that it is connected to the torch adaptor.
4 Welding in a windy environment.	Shield the weld area from the wind or increase the gas flow.
5 Welding dirty, oily, painted, oxidised or greasy plate.	Clean contaminates off the work piece.
6 Distance between the MIG torch nozzle and the work piece.	Keep the distance between the MIG torch nozzle and the work piece to a minimum. Refer to section 5.11
7 Maintain the MIG torch in good working order.	A Ensure that the gas holes are not blocked and gas is exiting out of the torch nozzle. B Do not restrict gas flow by allowing spatter to build up inside the torch nozzle. C Check that the MIG torch O-rings are not damaged.

Table 5-2: Solving Problems beyond the Welding Terminals-Porosity



#### WARNING

Disengage the feed roll when testing for gas flow by ear.

**Solving Problems Beyond the Welding Terminals - Inconsistent Wire Feed**

Wire feeding problems can be reduced by checking the following points.

<b>FAULT</b>	<b>CAUSE</b>
1 Feed roller driven by motor in the wirefeed compartment slipping.	A Wire spool brake is too tight. (Refer 5.08). B Incorrect feed roll fitted for wire used. Check and change to correct feed roll if necessary. (Refer options and accessories table 2.11 for feed roll options)
2 Wire spool unwinded and tangled.	Wire spool brake is too loose. (Refer 5.08)
3 Worn or incorrect feed roller size	A Use a feed roller matched to the size you are welding. B Replace feed roller if worn.
4 Wire rubbed against the mis-aligned guides and reduced wire feedability.	Mis-alignment of inlet/outlet guides
5 Liner blocked with swarf	A Increased amounts of swarf are produced by the wire passing through the feed roller when excessive pressure is applied to the pressure roller adjuster. B Swarf can also be produced by the wire passing through an incorrect feed roller groove shape or size. C Swarf is fed into the conduit liner where it accumulates thus reducing wire feedability.
6 Incorrect or worn contact tip	A The contact tip transfers the weld current to the electrode wire. If the hole in the contact tip is too large then arcing may occur inside the contact tip resulting in the wire jamming in the contact tip B When using soft wire such as aluminium it may become jammed in the contact tip due to expansion of the wire when heated. A contact tip designed for soft wires should be used.
7 Poor work lead contact to work piece	If the work lead has a poor electrical contact to the work piece then the connection point will heat up and result in a reduction of power at the arc.
8 Bent liner	This will cause friction between the wire and the liner thus reducing wire feedability

Table 5-3: Wire Feeding Problems

### Basic MIG (GMAW) Welding Troubleshooting

FAULT	CAUSE	REMEDY
1 Undercut	A Welding arc voltage too high. B Incorrect torch angle C Excessive heat input	A Decrease voltage or increase the wire feed speed. B Adjust angle. C Increase the torch travel speed and/or decrease welding current by decreasing the voltage or decreasing the wire feed speed.
2 Lack of penetration	A Welding current too low B Joint preparation too narrow or gap too tight C Shielding gas incorrect	A Increase welding current by increasing wire feed speed and increasing voltage. B Increase joint angle or gap. C Change to a gas which gives higher penetration.
3 Lack of fusion	Voltage too low	Increase voltage.
4 Excessive spatter	A Voltage too high B Voltage too low	A Decrease voltage or increase the wirespeed control. B Increase the voltage or decrease wirespeed.
5 Irregular weld shape	A Incorrect voltage and current settings. Convex, voltage too low. Concave, voltage too high. B Wire is wandering. C Incorrect shielding gas D Insufficient or excessive heat input	A Adjust voltage and current by adjusting the voltage control and the wirespeed control. B Replace contact tip. C Check shielding gas. D Adjust the wirespeed control or the voltage control.
6 Weld cracking	A Weld beads too small B Weld penetration narrow and deep C Excessive weld stresses D Excessive voltage E Cooling rate too fast	A Decrease travel speed B Reduce current and voltage and increase Mig torch travel speed or select a lower penetration shielding gas. C Increase weld metal strength or revise design D Decrease voltage. E Slow the cooling rate by preheating part to be welded or cool slowly.
7 Cold weld puddle	A Loose welding cable connection. B Low primary voltage C Fault in power source	A Check all welding cable connections. B Contact supply authority. C Have an Accredited CIGWELD Service Provider to test then replace the faulty component.
8 Arc does not have a crisp sound that short arc exhibits when the wirefeed speed and voltage are adjusted correctly.	The MIG torch has been connected to the wrong voltage polarity on the front panel.	Connect the MIG torch to the positive (+) welding terminal for most solid wires and gas shielded flux cored wires. Connect MIG Torch to the negative (-) welding terminal for most Gasless Wires. Refer to the electrode wire manufacturer for the correct polarity.

Table 5-4: MIG (GMAW) Welding Problems

## SECTION 6: STICK (MMAW) WELDING

### 6.01 Setup For STICK (MMAW) Welding

- A. Select Stick mode with the process selection control (refer to Section 4.02.01 for further information).
- B. Connect the Electrode Holder lead to the positive welding terminal (+). If in doubt, consult the electrode manufacturer. Welding current flows from the Power Source via Dinse type terminals. It is essential, however, that the male plug is inserted and turned securely to achieve a sound electrical connection.
- C. Connect the work lead to the negative welding terminal (-). If in doubt, consult the electrode manufacturer. Welding current flows from the power source via Dinse type terminals. It is essential, however, that the male plug is inserted and turned securely to achieve a sound electrical connection.


**WARNING**

Before connecting the work clamp to the work and inserting the electrode in the electrode holder make sure the Mains power supply is switched off.


**CAUTION**

Remove any packaging material prior to use. Do not block the air vents at the front or rear of the Welding Power Source.


**NOTE!**

Consult the electrode manufacturer's information for the correct polarity.-

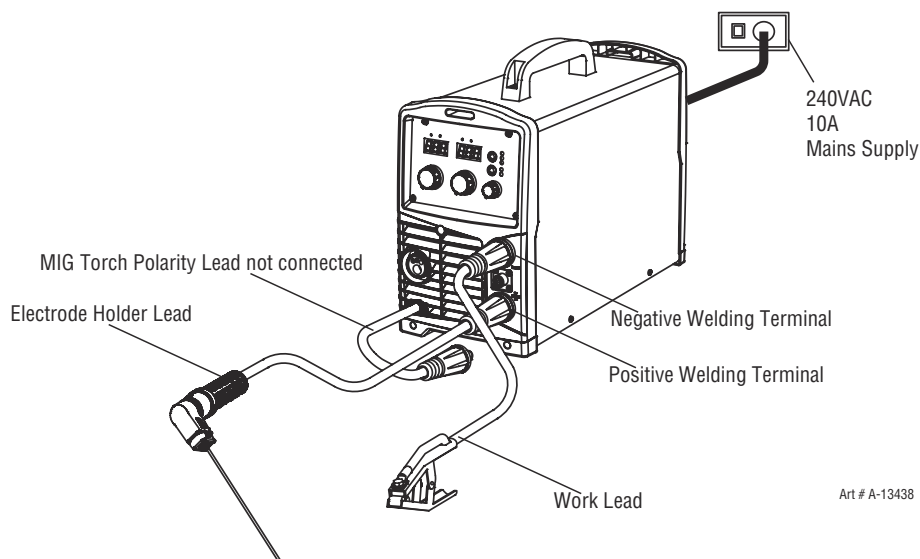


Figure 6-1: Setup For STICK (MMAW) Welding

### 6.02 Arc Welding Electrodes

Metal arc welding electrodes consist of a core wire surrounded by a flux coating. The flux coating is applied to the core wire by an extrusion process.

The coating on arc welding electrodes serves a number of purposes:

- A. To provide a gaseous shield for the weld metal, and preserve it from contamination by the atmosphere whilst in a molten state.
- B. To give a steady arc by having 'arc stabilisers' present, which provide a bridge for current to flow across.
- C. To remove oxygen from the weld metal with 'deoxidisers'.
- D. To provide a cleansing action on the work piece and a protective slag cover over the weld metal to prevent the formation of oxides while the metal is solidifying. The slag also helps to produce a bead of the desired contour.
- E. To introduce alloys into the weld deposits in special type electrodes.

### 6.03 Types of Electrodes

Arc Welding electrodes are classified into a number of groups depending on their applications. There are a great number of electrodes used for specialised industrial purposes which are not of particular interest for everyday general work. These include some low hydrogen types for high tensile steel, cellulose types for welding large diameter pipes, etc.

The range of electrodes dealt with in this publication will cover the vast majority of applications likely to be encountered; are all easy to use and all will work on even the most basic of welding machines.

**CIGWELD Electrode Selection Chart**

Description	Diameter	Pack	Part No.	Application
Satincraft 13	2.5mm	1kg	322135	General purpose electrode suitable for all positional welding and galvanised steel.
	2.5mm	2.5kg	612182	
	3.2mm	1kg	322136	
	3.2mm	2.5kg	612183	
	4.0mm	5kg	611184	
Ferrocraft 12XP	2.0mm	1kg	322128	General purpose, extra performance electrode recommended for all positional (inc. Vertical down) welding of mild and galvanised steel.
	2.0mm	2.5kg	612231	
	2.5mm	1kg	322129	
	2.5mm	2.5kg	612232	
	3.2mm	1kg	322138	
	3.2mm	2.5kg	612233	
WeldSkill GP	2.0mm	1 kg	WEG1020	User-friendly GP electrode for welding thin section mild and galvanised steels. Excellent for vertical down fillet welding applications.
	2.0mm	2.5 kg	WEG2520	
	2.5mm	1 kg	WEG1025	
	2.5mm	2.5 kg	WEG2525	
	2.5mm	5 kg	WEG5025	
	3.2mm	1 kg	WEG1032	
	3.2mm	2.5 kg	WEG2532	
	3.2mm	5 kg	WEG5032	
	4.0mm	5 kg	WEG5040	
Spezial OK 53.16 Twincoat	2.5mm	2 kg	53162534G0	Hydrogen Controlled type offering exceptional AC/DC performance in all welding positions.
	3.2mm	1.6 kg	53163234G0	
	4.0mm	2.2 kg	53164044G0	
Satinchrome 308L-17	2.5mm	2.5 kg	611602	Stainless Steel type for 19Cr/10Ni stainless grades including 201, 202, 301, 302, 303, 304, 304L, 305, 308, etc
	3.2mm	2.5 kg	611603	
	4.0mm	2.5 kg	611604	

Cigweld Electrode Selection Chart continued over page

CIGWELD Electrode Selection Chart cont'd				
Description	Diameter	Pack	Part No.	Application
Satinchrome 309Mo-17	2.5mm	2.5 kg	611692	Stainless Steel type for 309 and 309L grades. It is also suitable for welding of dissimilar welding of other 300 series stainless steels.
	3.2mm	2.5 kg	611693	
	4.0mm	2.5 kg	611694	
Satinchrome 316L-17	2.0mm	2,5 kg	611661	Stainless Steel type for welding of matching Mo bearing grades, 316 and 316L.
	2.5mm	2.5 kg	611662	
	3.2mm	2.5 kg	611663	
	2.5/3.2mm	Blisterpack	322215	
Weldall	4.0mm	2.5 kg	611664	High alloy stainless steel type for welding of unknown steels, repair of die or tool steels and for joining dissimilar steels. (Not recommended for cast iron).
	2.5mm	2.5 kg	611702	
	3.2mm	2.5 kg	611703	
	2.5/3.2mm	Blisterpack	322216	
Castcraft 55	4.0mm	2.5 kg	611704	For repair and maintenance welding of S.G. cast iron, meehanite and other cast irons. It produces a higher strength weld than Castcraft 100.
	3.2mm	2.5 kg	611723	
Castcraft 100	2.5mm	2.5 kg	611732	Soft, Ductile Nickel type electrode for repair and maintenance welding of a wide range of cast irons. It has better "wetting" action than Castcraft 55.
	3.2mm	2.5 kg	611733	
	Blisterpack	Blisterpack	322217	
	4.0mm	2.5 kg	611734	

Table 6-1 Types of Electrodes

## 6.04 Size of Electrode

The electrode size is determined by the thickness of metals being joined and can also be governed by the type of welding machine available. Small welding machines will only provide sufficient current (amperage) to run the smaller size electrodes.

For most work, a 2.5mm electrode will be quite sufficient. A 2.5mm electrode will give just as strong a joint but may require a few more weld runs to be put down to fill the joint.

For thin sections, it is necessary to use smaller electrodes otherwise the arc may burn holes through the job. A little practice will soon establish the most suitable electrode for a given application.

## 6.05 Storage of Electrodes

Always store electrodes in a dry place and in their original containers.

## 6.06 Electrode Polarity

Electrodes are connected to the Electrode Holder, and the Work Lead is connected to the work piece. Consult the Electrode manufacturer's information for the correct polarity.

### 6.07 Effects of Arc Welding Various Materials

#### A. High tensile and alloy steels

The two most prominent effects of welding these steels are the formation of a hardened zone in the weld area, and, if suitable precautions are not taken, the occurrence in this zone of under-bead cracks may result. Hardened zone and under-bead cracks in the weld area may be reduced by using the correct electrodes, preheating, using higher current settings, using larger electrode sizes, short runs for larger electrode deposits or tempering in a furnace.

#### B. Austenitic manganese steels

The effect on manganese steel of slow cooling from high temperatures is to embrittle it. For this reason it is absolutely essential to keep manganese steel cool during welding by quenching after each weld or skip welding to distribute the heat.

#### C. Cast Iron

Most types of cast iron, except white iron, are weldable. White iron, because of its extreme brittleness, generally cracks when attempts are made to weld it. Trouble may also be experienced when welding white-heart malleable, due to the porosity caused by gas held in this type of iron.

#### D. Copper and alloys

The most important factor is the high rate of heat conductivity of copper, making preheating of heavy sections necessary to give proper fusion of weld and base metal.

### 6.08 Arc Welding Practice

The techniques used for arc welding are almost identical regardless of what types of metals are being joined. Naturally enough, different types of electrodes would be used for different metals as described in the preceding section.

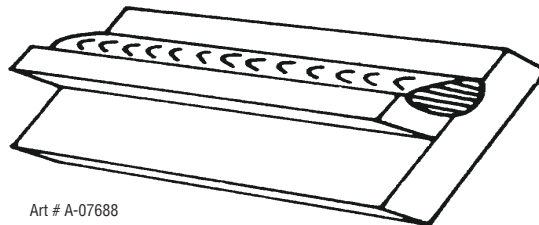
### 6.09 Welding Position

The electrodes dealt with in this publication can be used in most positions, i.e. they are suitable for welding in flat, horizontal, vertical and overhead positions. Numerous applications call for welds to be made in positions intermediate between these. Some of the common types of welds are shown in Figures 6-2 through 6-9.



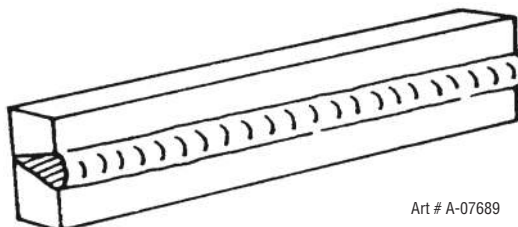
Art # A-07687

Figure 6-2: Flat position, down hand butt weld



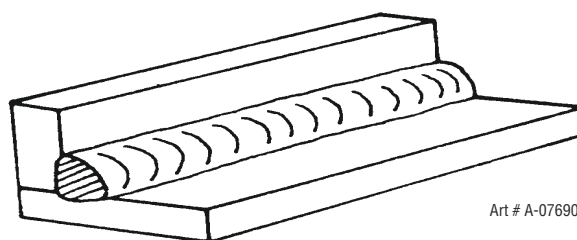
Art # A-07688

Figure 6-3: Flat position, gravity fillet weld



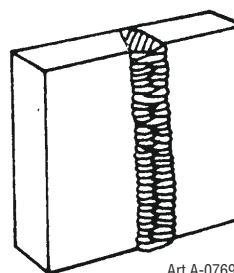
Art # A-07689

Figure 6-4: Horizontal position, butt weld



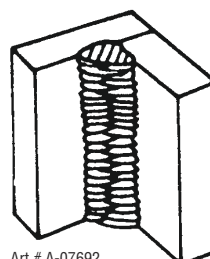
Art # A-07690

Figure 6-5: Horizontal - Vertical (HV) position



Art A-07691

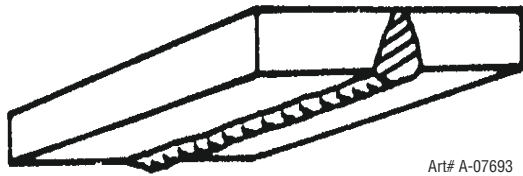
Figure 6-6: Vertical position, butt weld



Art # A-07692

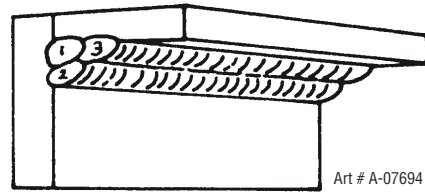
Figure 6-7: Vertical position, fillet weld





Art# A-07693

Figure 5-6: Overhead position, butt weld



Art # A-07694

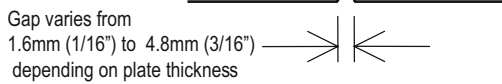
Figure 6-9: Overhead position fillet, weld

### 6.10 Joint Preparations

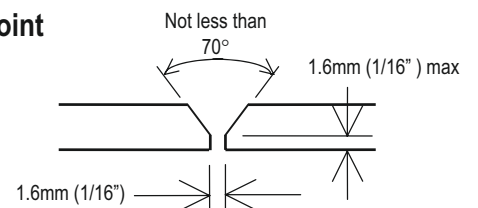
In many cases, it will be possible to weld steel sections without any special preparation. For heavier sections and for repair work on castings, etc., it will be necessary to cut or grind an angle between the pieces being joined to ensure proper penetration of the weld metal and to produce sound joints.

In general, surfaces being welded should be clean and free of rust, scale, dirt, grease, etc. Slag should be removed from oxy-cut surfaces. Typical joint designs are shown in Figure 6-10.

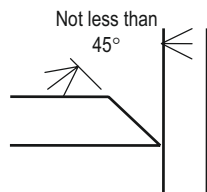
#### Open Square Butt Joint



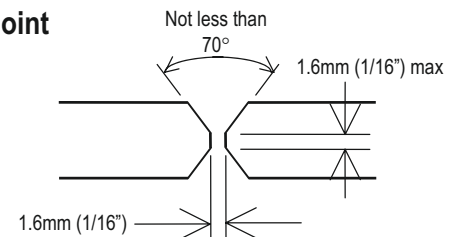
#### Single Vee Butt Joint



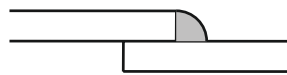
#### Single Vee Butt Joint



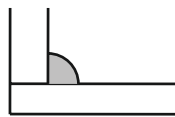
#### Double Vee Butt Joint



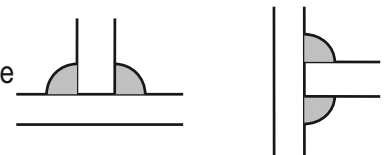
#### Lap Joint



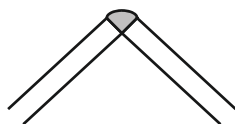
#### Fillet Joint



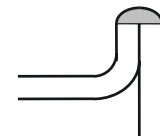
#### Tee Joints (Fillet both sides of the joint)



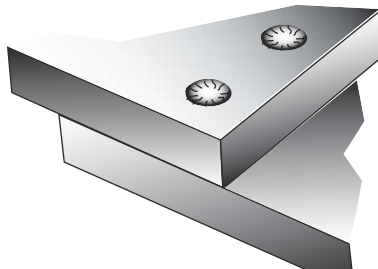
#### Corner Weld



#### Edge Joint



#### Plug Weld



Art # A-07695\_AE

#### Plug Weld

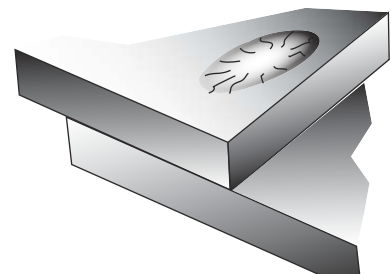


Figure 6-10: Typical joint designs for arc welding

## 6.11 Arc Welding Technique

### A Word to Beginners

For those who have not yet done any welding, the simplest way to commence is to run beads on a piece of scrap plate. Use mild steel plate about 6.0mm thick and a 3.2mm electrode. Clean any paint, loose scale or grease off the plate and set it firmly on the work bench so that welding can be carried out in the downhand position. Make sure that the work clamp is making good electrical contact with the work, either directly or through the work table. For light gauge material, always clamp the work lead directly to the job, otherwise a poor circuit will probably result.

## 6.12 The Welder

Place yourself in a comfortable position before beginning to weld. Get a seat of suitable height and do as much work as possible sitting down. Don't hold your body tense. A taut attitude of mind and a tensed body will soon make you feel tired. Relax and you will find that the job becomes much easier. You can add much to your peace of mind by wearing a leather apron and gauntlets. You won't be worrying then about being burnt or sparks setting alight to your clothes.

Place the work so that the direction of welding is across, rather than to or from, your body. The electrode holder lead should be clear of any obstruction so that you can move your arm freely along as the electrode burns down. If the lead is slung over your shoulder, it allows greater freedom of movement and takes a lot of weight off your hand. Be sure the insulation on your cable and electrode holder is not faulty, otherwise you are risking an electric shock.

## 6.13 Striking the Arc

Practice this on a piece of scrap plate before going on to more exacting work. You may at first experience difficulty due to the tip of the electrode "sticking" to the work piece. This is caused by making too heavy a contact with the work and failing to withdraw the electrode quickly enough. A low amperage will accentuate it. This freezing-on of the tip may be overcome by scratching the electrode along the plate surface in the same way as a match is struck. As soon as the arc is established, maintain a 1.6mm to 3.2mm gap between the burning electrode end and the parent metal. Draw the electrode slowly along as it melts down.

Another difficulty you may meet is the tendency, after the arc is struck, to withdraw the electrode so far that the arc is broken again. A little practice will soon remedy both of these faults.

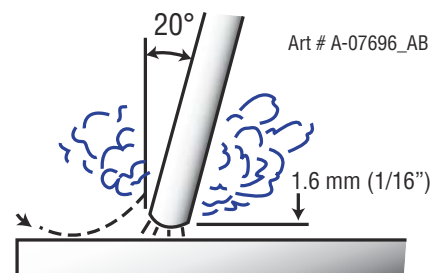


Figure 6-11: Striking an arc

## 6.14 Arc Length

The securing of an arc length necessary to produce a neat weld soon becomes almost automatic. You will find that a long arc produces more heat. A very long arc produces a crackling or spluttering noise and the weld metal comes across in large, irregular blobs. The weld bead is flattened and spatter increases. A short arc is essential if a high quality weld is to be obtained although if it is too short there is the danger of it being blanketed by slag and the electrode tip being solidified in. If this should happen, give the electrode a quick twist back over the weld to detach it. Contact or "touch-weld" electrodes such as Ferrocrafter 21 do not stick in this way, and make welding much easier.

## 6.15 Rate of Travel

After the arc is struck, your next concern is to maintain it, and this requires moving the electrode tip towards the molten pool at the same rate as it is melting away. At the same time, the electrode has to move along the plate to form a bead. The electrode is directed at the weld pool at about 20° from the vertical. The rate of travel has to be adjusted so that a well-formed bead is produced.

If the travel is too fast, the bead will be narrow and strung out and may even be broken up into individual globules. If the travel is too slow, the weld metal piles up and the bead will be too large.

## 6.16 Making Welded Joints

Having attained some skill in the handling of an electrode, you will be ready to go on to make up welded joints.



### NOTE!

The welding current range values should be used as a guide only. Current delivered to the arc is dependent on the welding arc voltage, and as welding arc voltage varies between different classes of electrode, welding current at any one setting would vary according to the type of electrode in use. The operator should use the welding current range values as a guide, then finally adjust the current setting to suit the application.

### A. Butt Welds

Set up two plates with their edges parallel, as shown in Figure 6-12, allowing 1.6mm to 2.4mm gap between them and tack weld at both ends. This is to prevent contraction stresses from the cooling weld metal pulling the plates out of alignment. Plates thicker than 6.0mm should have their mating edges bevelled to form a 70° to 90° included angle. This allows full penetration of the weld metal to the root. Using a 3.2mm Ferrocrafter 21 electrode at 100 amps, deposit a run of weld metal on the bottom of the joint.

Do not weave the electrode, but maintain a steady rate of travel along the joint sufficient to produce a well-formed bead. At first you may notice a tendency for undercut to form, but keeping the arc length short, the angle of the electrode at about 20° from vertical, and the rate of travel not too fast, will help eliminate this. The electrode needs to be moved along fast enough to prevent the slag pool from getting ahead of the arc. To complete the joint in thin plate, turn the job over, clean the slag out of the back and deposit a similar weld.

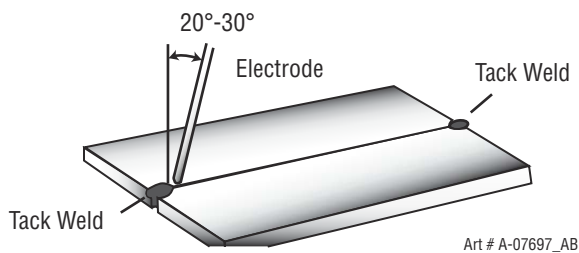


Figure 6-12: Butt weld

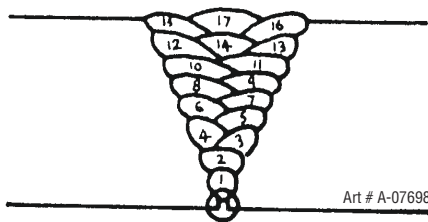


Figure 6-13: Weld build up sequence

Heavy plate will require several runs to complete the joint. After completing the first run, chip the slag out and clean the weld with a wire brush. It is important to do this to prevent slag being trapped by the second run. Subsequent runs are then deposited using either a weave technique or single beads laid down in the sequence shown in Figure 6-13. The width of weave should not be more than three times the core wire diameter of the electrode. When the joint is completely filled, the back is either machined, ground or gouged out to remove slag which may be trapped in the root, and to prepare a suitable joint for depositing the backing run. If a backing bar is used, it is not usually necessary to remove this, since it serves a similar

purpose to the backing run in securing proper fusion at the root of the weld.

### B. Fillet Welds

These are welds of approximately triangular cross-section made by depositing metal in the corner of two faces meeting at right angles. Refer to Figure 6-3.

A piece of angle iron is a suitable specimen with which to begin, or two lengths of strip steel may be tacked together at right angles. Using a 3.2mm Ferrocrafter 21 electrode at 100 amps, position angle iron with one leg horizontal and the other vertical. This is known as a horizontal-vertical (HV) fillet. Strike the arc and immediately bring the electrode to a position perpendicular to the line of the fillet and about 45° from the vertical. Some electrodes require to be sloped about 20° away from the perpendicular position to prevent slag from running ahead of the weld. Refer to Figure 6-14. Do not attempt to build up much larger than 6.4mm width with a 3.2mm electrode, otherwise the weld metal tends to sag towards the base, and undercut forms on the vertical leg. Multi-runs can be made as shown in Figure 6-15. Weaving in HV fillet welds is undesirable.

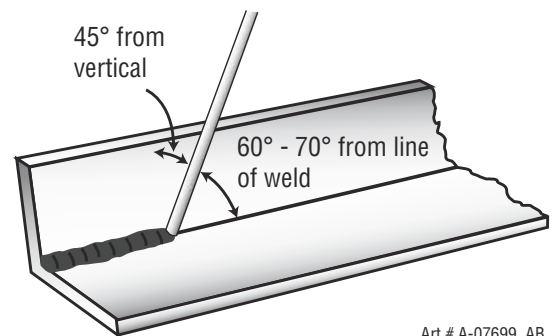


Figure 6-14: Electrode position for HV fillet weld

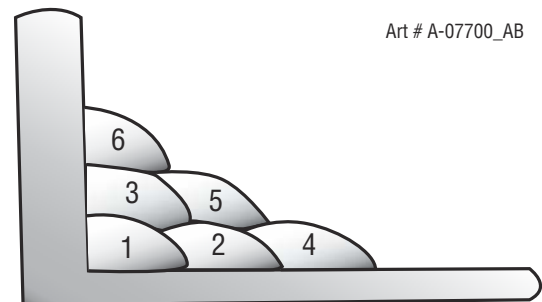


Figure 6-15: Multi-runs in HV fillet weld

### C. Vertical Welds

#### 1. Vertical Up

Tack weld a three feet length of angle iron to your work bench in an upright position. Use a 3.2mm Ferrocrafter 21 electrode and set the current at 100 amps. Make yourself comfortable on a seat in front of the job and strike the arc in the corner of the fillet. The electrode needs to be about 10° from the horizontal to enable a good bead to be deposited. Refer Figure 6-16. Use a short arc, and do not attempt to weave on the first run. When the first run has been completed de-slag the weld deposit and begin the second run at the bottom. This time a slight weaving motion is necessary to cover the first run and obtain good fusion at the edges. At the completion of each side motion, pause for a moment to allow weld metal to build up at the edges, otherwise undercut will form and too much metal will accumulate in the centre of the weld. Figure 6-17 illustrates multi-run technique and Figure 5-18 shows the effects of pausing at the edge of weave and of weaving too rapidly.

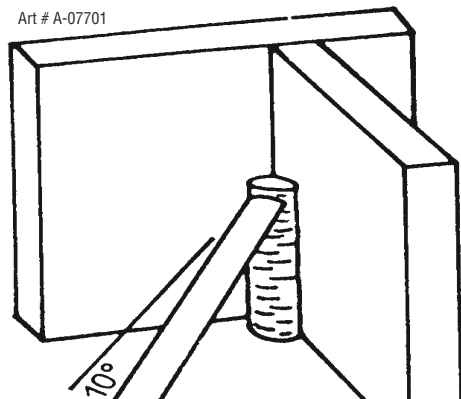


Figure 6-16: Single run vertical fillet weld

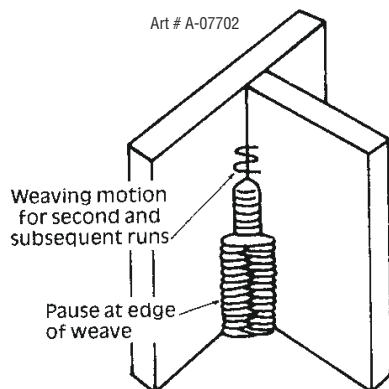
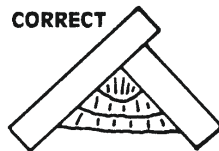
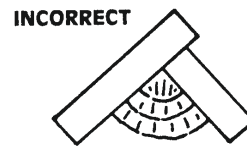


Figure 6-17: Multi run vertical fillet weld



**CORRECT**  
Pause at edge of weave allows weld metal to build up, and eliminates undercut



**INCORRECT**  
Note weld contour when insufficient pause at edge of weave

Art # A-07703

Figure 6-18: Examples of vertical fillet welds

#### 2. Vertical Down

The Ferrocrafter 21 electrode makes welding in this position particularly easy. Use a 3.2mm electrode at 100 amps. The tip of the electrode is held in light contact with the work and the speed of downward travel is regulated so that the tip of the electrode just keeps ahead of the slag. The electrode should point upwards at an angle of about 45°.

#### 3. Overhead Welds

Apart from the rather awkward position necessary, overhead welding is not much more difficult than downhand welding. Set up a specimen for overhead welding by first tacking a length of angle iron at right angles to another piece of angle iron or a length of waste pipe. Then tack this to the work bench or hold in a vice so that the specimen is positioned in the overhead position as shown in the sketch. The electrode is held at 45° to the horizontal and tilted 10° in the line of travel (Figure 6-19). The tip of the electrode may be touched lightly on the metal, which helps to give a steady run. A weave technique is not advisable for overhead fillet welds. Use a 3.2mm Ferrocrafter 12XP electrode at 100 amps, and deposit the first run by simply drawing the electrode along at a steady rate. You will notice that the weld deposit is rather convex, due to the effect of gravity before the metal freezes.

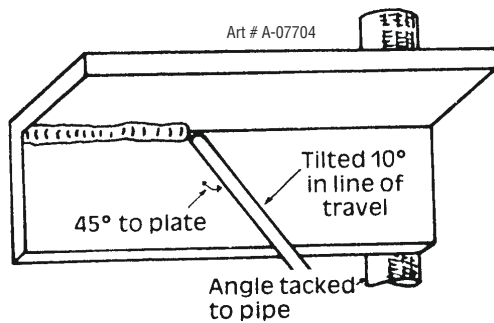


Figure 6-19: Overhead fillet weld

## 6.17 Distortion

Distortion in some degree is present in all forms of welding. In many cases it is so small that it is barely perceptible, but in other cases allowance has to be made before welding commences for the distortion that will subsequently occur. The study of distortion is so complex that only a brief outline can be attempted here.

## 6.18 The Cause of Distortion

Distortion is caused by:

### A. Contraction of Weld Metal:

Molten steel shrinks approximately 11 per cent in volume on cooling to room temperature. This means that a cube of molten metal would contract approximately 2.2 per cent in each of its three dimensions. In a welded joint, the metal becomes attached to the side of the joint and cannot contract freely. Therefore, cooling causes the weld metal to flow plastically, that is, the weld itself has to stretch if it is to overcome the effect of shrinking volume and still be attached to the edge of the joint. If the restraint is very great, as, for example, in a heavy section of plate, the weld metal may crack. Even in cases where the weld metal does not crack, there will still remain stresses "locked-up" in the structure. If the joint material is relatively weak, for example, a butt joint in 2.0mm sheet, the contracting weld metal may cause the sheet to become distorted.

### B. Expansion and Contraction of Parent Metal in the Fusion Zone:

While welding is proceeding, a relatively small volume of the adjacent plate material is heated to a very high temperature and attempts to expand in all directions. It is able to do this freely at right angles to the surface of the plate (i.e., "through the weld"), but when it attempts to expand "across the weld" or "along the weld", it meets considerable resistance, and to fulfil the desire for continued expansion, it has to deform plastically, that is, the metal adjacent to the weld is at a high temperature and hence rather soft, and, by expanding, pushes against the cooler, harder metal further away, and tends to bulge (or is "upset"). When the weld area begins to cool, the "upset" metal attempts to contract as much as it expanded, but, because it has been "upset", it does not resume its former shape, and the contraction of the new shape exerts a strong pull on adjacent metal. Several things can then happen.

The metal in the weld area is stretched (plastic deformation), the job may be pulled out of shape by the powerful contraction stresses (distortion), or the weld may crack, in any case, there will remain "locked-up" stresses in the job. Figures 6-20 and 6-21 illustrate how distortion is created.

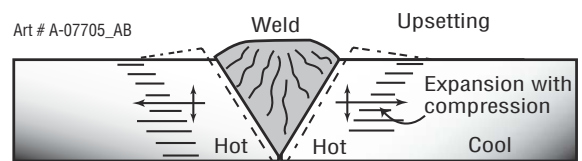


Figure 6-20: Parent metal expansion

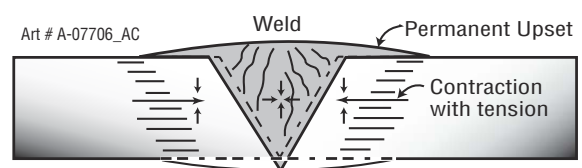


Figure 6-21: Parent metal contraction

## 6.19 Overcoming Distortion Effects

There are several methods of minimising distortion effects.

### A. Peening

This is done by hammering the weld while it is still hot. The weld metal is flattened slightly and because of this the tensile stresses are reduced a little. The effect of peening is relatively shallow, and is not advisable on the last layer.

**B. Distribution of Stresses**

Distortion may be reduced by selecting a welding sequence which will distribute the stresses suitably so that they tend to cancel each other out. See Figures 6-25 through 6-28 for various weld sequences. Choice of a suitable weld sequence is probably the most effective method of overcoming distortion, although an unsuitable sequence may exaggerate it. Simultaneous welding of both sides of a joint by two welders is often successful in eliminating distortion.

**C. Restraint of Parts**

Forcible restraint of the components being welded is often used to prevent distortion. Jigs, positions, and tack welds are methods employed with this in view.

**D. Presetting**

It is possible in some cases to tell from past experience or to find by trial and error (or less frequently, to calculate) how much distortion will take place in a given welded structure. By correct pre-setting of the components to be welded, constructional stresses can be made to pull the parts into correct alignment. A simple example is shown in Figure 6-22.

**E. Preheating**

Suitable preheating of parts of the structure other than the area to be welded can be sometimes used to reduce distortion. Figure 6-23 shows a simple application. By removing the heating source from b and c as soon as welding is completed, the sections b and c will contract at a similar rate, thus reducing distortion.

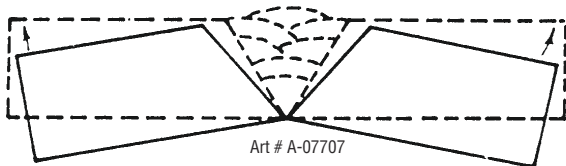
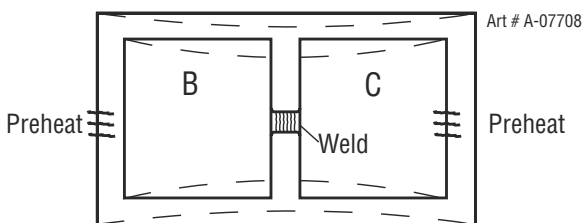


Figure 6-22: Principle of presetting



Dotted lines show effect if no preheat is used

Figure 6-23: Reduction of distortion by preheating

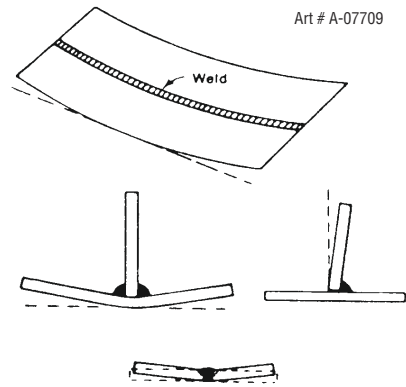


Figure 6-24: Examples of distortion

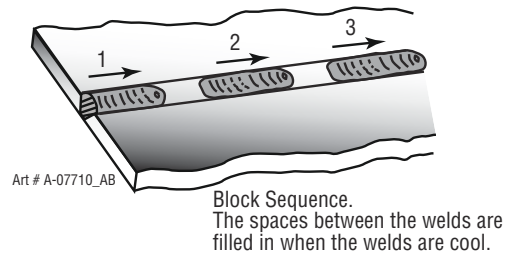


Figure 6-25: Welding sequence

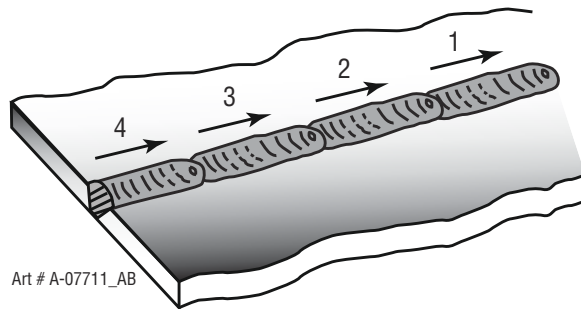


Figure 6-26: Step back sequence

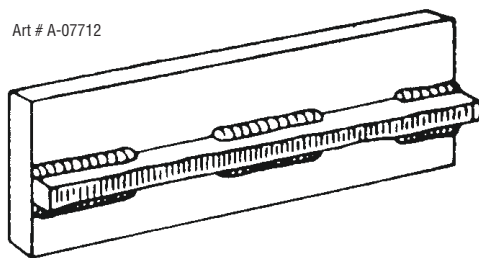


Figure 6-27: Chain intermittent welding

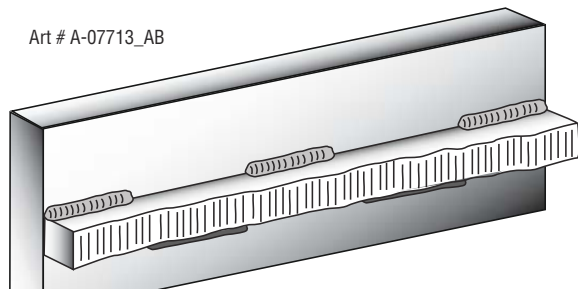
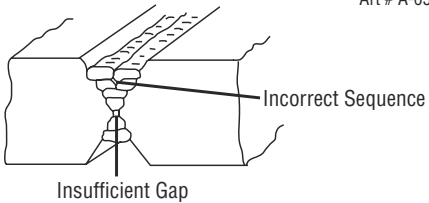


Figure 6-28: Staggered intermittent welding

## 6.20 Welding Problems

Description	Possible Cause	Remedy
1 Gas pockets or voids in weld metal (Porosity)	A Electrodes are damp B Welding current is too high C Surface impurities such as oil, grease, paint, etc	A Dry electrodes before use B Reduce welding current C Clean joint before welding
2 Crack occurring in weld metal soon after solidification commences	A Rigidity of joint B Insufficient throat thickness C Cooling rate is too high	A Redesign to relieve weld joint of severe stresses or use crack resistance electrodes B Travel slightly slower to allow greater build-up in throat C Preheat plate and cool slowly
3 A gap is left by failure of the weld metal to fill the root of the weld	A Welding current is too low B Electrode too large for joint C Insufficient gap D Incorrect sequence	A Increase welding current B Use smaller diameter electrode C Allow wider gap D Use correct build-up sequence
<p>Art # A-05866_AC</p>  <p>Figure 6-29: Example of Insufficient Gap or Incorrect Sequence</p>		
4 Portions of the weld run do not fuse to the surface of the metal or edge of the joint	A Small electrodes used on heavy cold plate B Welding current is too low C Wrong electrode angle D Travel speed of electrode is too high E Scale or dirt on joint surface	A Use larger electrodes and preheat the plate B Increase welding current C Adjust angle so the welding arc is directed more into the base metal D Reduce travel speed of electrode E Clean surface before welding

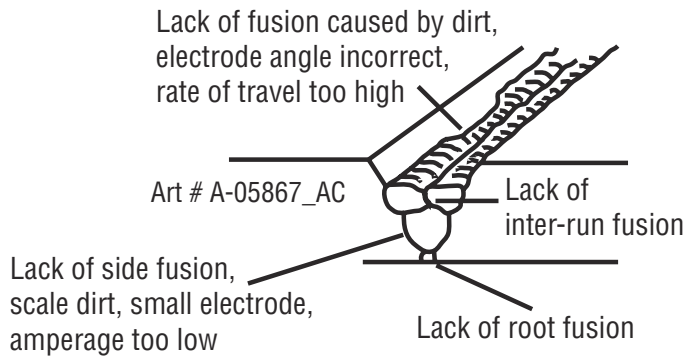


Figure 6-30: Example of Lack of Fusion

Description	Possible Cause	Remedy
<p>5 A groove has been formed in the base metal adjacent to the toe of a weld and has not been filled by the weld metal (undercut).</p>	<p>A Welding current is too high.</p> <p>B Welding arc is too long.</p> <p>C Angle of the electrode is incorrect.</p> <p>D Joint preparation does not allow correct electrode angle.</p> <p>E Electrode too large for joint.</p> <p>F Insufficient deposit time at edge of weave.</p>	<p>A Reduce welding current</p> <p>B Reduce the length of the welding arc</p> <p>C Electrode should not be inclined less than 45° to the vertical face</p> <p>D Allow more room in joint for manipulation of the electrode.</p> <p>E Use smaller gauge electrode.</p> <p>F Pause for a moment at edge of weave to allow weld metal build-up.</p>

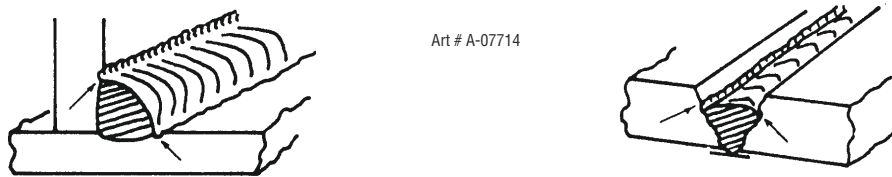
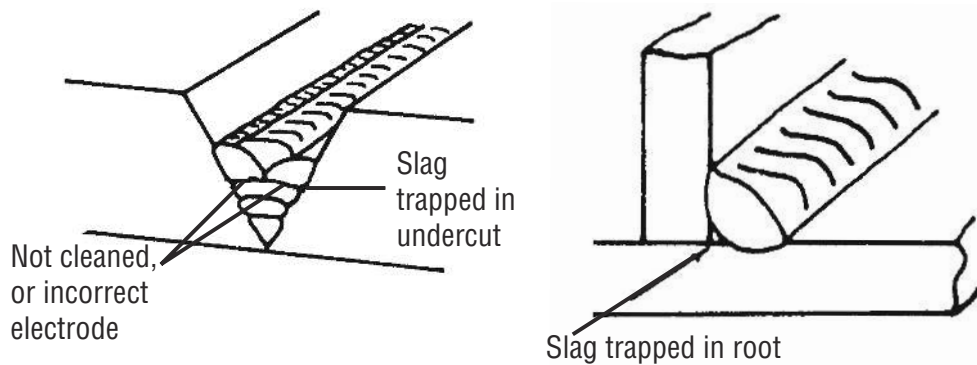


Figure 6-31: Examples of undercut



Description	Possible Cause	Remedy
<p>6 Non-metallic particles are trapped in the weld metal (slag inclusion)</p>	<p>A Non-metallic particles may be trapped in undercut from previous run</p> <p>B Joint preparation too restricted</p> <p>C Irregular deposits allow slag to be trapped</p> <p>D Lack of penetration with slag trapped beneath weld bead</p> <p>E Rust or mill scale is preventing full fusion</p> <p>F Wrong electrode for position in which welding is done</p>	<p>A If bad undercut is present, clean slag out and cover with a run from a smaller diameter electrode</p> <p>B Allow for adequate penetration and room for cleaning out the slag</p> <p>C If very bad, chip or grind out irregularities</p> <p>D Use smaller electrode with sufficient current to give adequate penetration. Use suitable tools to remove all slag from corners</p> <p>E Clean joint before welding</p> <p>F Use electrodes designed for position in which welding is done, otherwise proper control of slag is difficult</p>



Art # A-05868\_AC

Figure 6-32: Examples of Slag Inclusion

Table 6-2: Welding Problems

This Page Intentionally Blank

## SECTION 7: TIG (GTAW) WELDING

### 7.01 Shielding Gas Regulator/Flowmeter Operating Instructions



#### WARNING

This equipment is designed for use with welding grade (Inert) shielding gases only.

#### Shielding Gas Regulator/Flowmeter Safety

This regulator/flowmeter is designed to reduce and control high pressure gas from a cylinder or pipeline to the working pressure required for the equipment using it.

If the equipment is improperly used, hazardous conditions are created that may cause accidents. It is the users responsibility to prevent such conditions. Before handling or using the equipment, understand and comply at all times with the safe practices prescribed in this instruction.

SPECIFIC PROCEDURES for the use of regulators/flowmeters are listed below.

1. NEVER subject the regulator/flowmeter to inlet pressure greater than its rated inlet pressure.
2. NEVER pressurize a regulator/flowmeter that has loose or damaged parts or is in a questionable condition. NEVER loosen a connection or attempt to remove any part of a regulator/flowmeter until the gas pressure has been relieved. Under pressure, gas can dangerously propel a loose part.
3. DO NOT remove the regulator/flowmeter from a cylinder without first closing the cylinder valve and releasing gas in the regulator/flowmeter high and low pressure chambers.
4. DO NOT use the regulator/flowmeter as a control valve. When downstream equipment is not in use for extended periods of time, shut off the gas at the cylinder valve and release the gas from the equipment.
5. OPEN the cylinder valve SLOWLY. Close after use.

#### User Responsibilities

This equipment will perform safely and reliable only when installed, operated and maintained, and repaired in accordance with the instructions provided. Equipment must be checked periodically and repaired, replaced, or reset as necessary for continued safe and reliable performance. Defective equipment should not be used. Parts that are broken, missing, obviously worn, distorted, or contaminated should be replaced immediately.

The user of this equipment will generally have the sole responsibility for any malfunction, which results from improper use, faulty maintenance, or by repair by anyone other than an accredited repairer.



#### CAUTION

Match regulator/flowmeter to cylinder. NEVER CONNECT a regulator/flowmeter designed for a particular gas or gases to a cylinder containing any other gas.

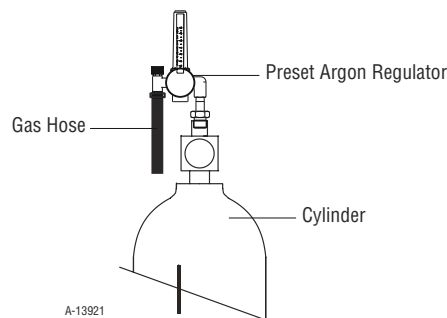


Figure 7-1: Fit Regulator/flowmeter to Cylinder

## Installation

1. Remove cylinder valve plastic dust seal. Clean the cylinder valve outlet of impurities that may clog orifices and damage seats before connecting the regulator/flowmeter.

Crack the valve (open then close) momentarily, pointing the outlet away from people and sources of ignition. Wipe with a clean lint free cloth.

2. Match regulator/flowmeter to cylinder. Before connecting, check that the regulator/flowmeter label and cylinder marking agree and that the regulator/flowmeter inlet and cylinder outlet match. NEVER CONNECT a regulator/flowmeter designed for a particular gas or gases to a cylinder containing any other gas.
3. Connect the regulator/flowmeter inlet connection to cylinder or pipeline and tighten it firmly but not excessively, with a suitable spanner.
4. Connect and tighten the outlet hose firmly and attach down-stream equipment. The flowmeter must be in the vertical position to read accurately.
5. The regulator/flowmeter has a self-reseating relief valve – not designed to protect down stream equipment. To protect sensitive down-stream equipment a separate safety device may be necessary.

## Operation

With the regulator/flowmeter connected to cylinder or pipeline:

1. Stand to one side of regulator/flowmeter and slowly open the cylinder valve. If opened quickly, a sudden pressure surge may damage internal regulator/flowmeter parts.
2. Since the regulator is a preset type, no adjustments to the regulator are necessary. Before opening the cylinder valve, be sure that the flow adjusting valve is in a finger-tight "OFF" position (clockwise).
3. Slowly and carefully, open the cylinder valve until the maximum pressure registers on the high pressure gauge.



### CAUTION

DO NOT purge oxidising or flammable gases in the presence of flame, lighted cigarettes, or other sources of ignition or in a confined space. Open each downstream valve in turn, if more than one regulator is used. Close one valve before opening the next one. This procedure will prevent explosive gas mixtures occurring in the welding hose between regulators and equipment.

Close equipment valve(s) after purging, and test all connections for leaks with a suitable leak detection solution or soapy water. Never use a flame when testing for leaks.

## Adjusting Flow Rate

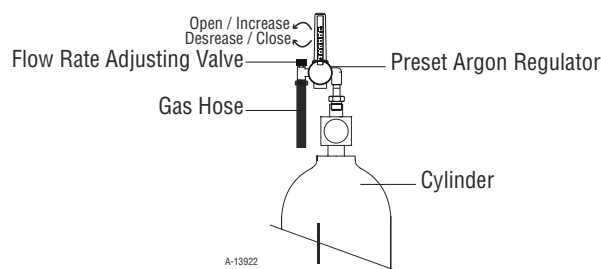


Figure 7-2: Adjust Flow Rate

With the regulator/flowmeter ready for operation, adjust working flow rate as follows:

1. Slowly turn adjusting valve in anti-clockwise direction to open and increase gas flow until the bobbin in the flow tube indicates the required flow rate.



### NOTE!

It may be necessary to re-check the shielding gas regulator/flowmeter flow rate following the first weld sequence due to back pressure present within shielding gas hose assembly.

2. To reduce flow rate, allow the welding grade shielding gas to discharge from regulator/flowmeter by opening the downstream valve. Bleed welding grade shielding gas into a well ventilated area and away from any ignition source. Turn adjusting screw clockwise, until the required flow rate is indicated on the gauge. Close downstream valve.

### Shutdown

Close cylinder valve whenever the regulator/flowmeter is not in use. To shut down for extended periods (more than 30 minutes).

1. Close cylinder or upstream valve tightly.
2. Open downstream equipment valves to drain the lines. Bleed gas into a well ventilated area and away from any ignition source.
3. After gas is drained completely, disengage adjusting screw and close downstream equipment valves.
4. Before transporting cylinders that are not secured on a cart designed for such purposes, remove regulators/flowmeters.




## 7.02 Setup For Lift TIG (GTAW) Welding

- A. Select Lift TIG mode with the process selection control (refer to Section 4.02.1 for further information).
- B. Connect the TIG Torch to the negative welding terminal (-). Refer to Note below for Optional TIG Torch information. Welding current flows from the power source via Dinse type terminals. It is essential, however, that the male plug is inserted and turned securely to achieve a sound electrical connection.
- C. For WeldSkill 155 use Tig Torch W7003021. Refer to Table 2-2 on Page 2-6 for Options and accessories.

There are two TIG Torch options for WeldSkill 185. Refer to Table 2-2 on Page 2-6 for Options and accessories.

For WeldSkill 185, connect the TIG torch trigger switch and remote current control if applicable via the 8 pin socket located on the front of the Power Source. The TIG torch will require a trigger switch to weld in LIFT TIG Mode.

- D. Connect the work lead to the positive welding terminal (+). Welding current flows from the Power Source via Dinse type terminals. It is essential, however, that the male plug is inserted and turned securely to achieve a sound electrical connection.
- E. Connect the Argon Regulator/Flowmeter to the Welding Grade Argon Shielding Gas Cylinder then connect the TIG Torch gas hose to regulator. Before turning on shielding gas check that all fittings are tight and the gas valve on the TIG torch is turned off. Before commencing to TIG weld open TIG torch gas valve to allow sufficient shielding gas flow when welding. Refer to Section 7.03 for recommended Shielding Gas flow rates and other TIG Welding information.

	<p><b>WARNING</b></p> <p>Secure the welding grade shielding gas cylinder in an upright position by chaining it to a suitable stationary support to prevent falling or tipping.</p> <p>Open Gas Cylinder Valve carefully.</p>
	<p><b>WARNING</b></p> <p>Before connecting the work clamp to the work piece and inserting the electrode in the TIG torch make sure the Mains power supply is switched off.</p>
	<p><b>CAUTION</b></p> <p>Remove any packaging material prior to use. Do not block the air vents at the front or rear of the Welding Power Source.</p>

Refer over page to Lift TIG Welding Setup diagrams.



**NOTE!**

The TIG Torch is NOT supplied. It is an optional accessory. Refer to Table 2-2 on Page 2-6 for optional accessory information.



**NOTE!**

If the TIG torch has a trigger switch or a remote TIG torch current control fitted then it will require to be connected to the 8 pin socket. (Refer to section 4.02.12 Remote Control Socket for further information)..

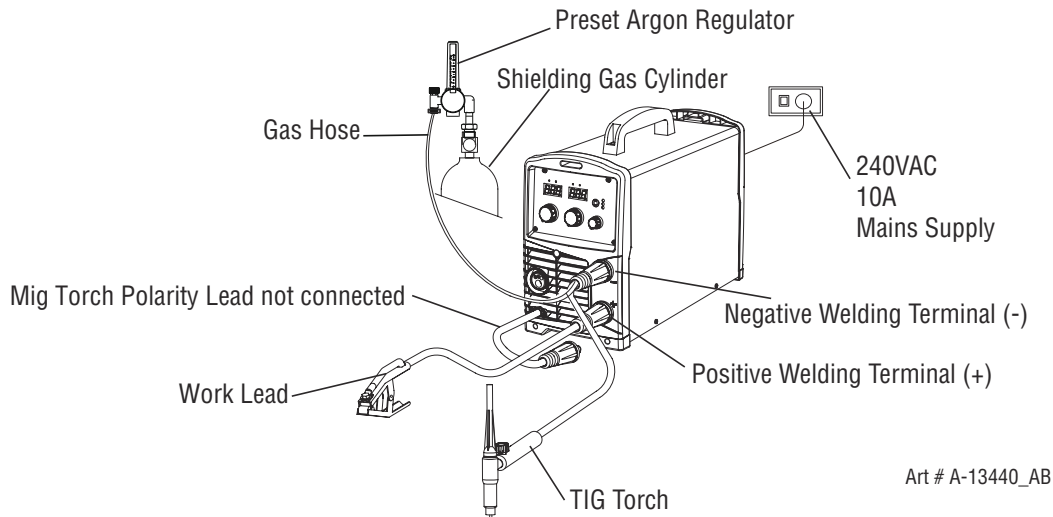


Figure 7-3: Setup For Lift TIG (GTAW) Welding for WeldSkill 155

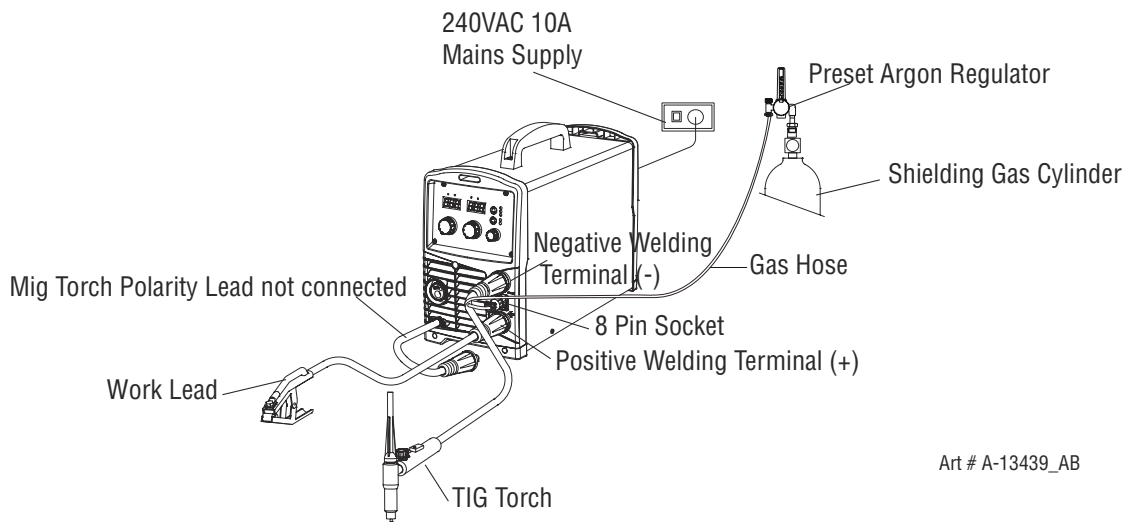


Figure 7-4: Setup For Lift TIG (GTAW) Welding for WeldSkill 185

### 7.03 TIG (GTAW) Basic Welding Technique

Gas Tungsten Arc Welding (GTAW) or TIG (Tungsten Inert Gas) as it is commonly referred to, is a welding process in which fusion is produced by an electric arc that is established between a single tungsten (non-consumable) electrode and the work piece. Shielding is obtained from a welding grade shielding gas or welding grade shielding gas mixture which is generally Argon based. A filler metal may also be added manually in some circumstances depending on the welding application.

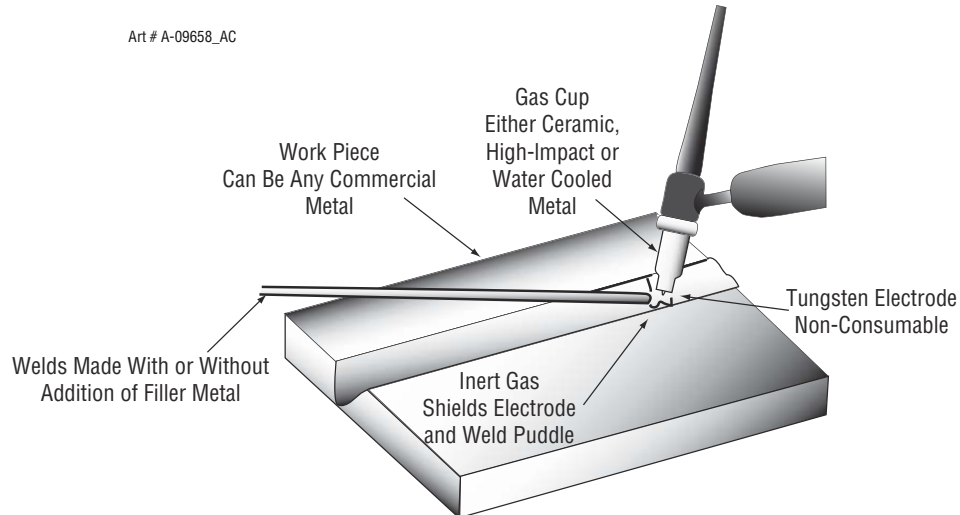


Figure 7-5: TIG Welding Application Shot

#### Tungsten Electrode Current Ranges

Electrode Diameter	DC Current (Amps)
0.040" (1.0mm)	30-60
1/16" (1.6mm)	60-115
3/32" (2.4mm)	100-165
1/8" (3.2mm)	135-200
5/32" (4.0mm)	190-280
3/16" (4.8mm)	250-340

Table 7-1: Current Ranges for Various Tungsten Electrode Sizes

#### Guide for Selecting Filler Wire Diameter

Filler Wire Diameter	DC Current Range (Amps)
1/16" (1.6mm)	20-90
3/32" (2.4mm)	65-115
1/8" (3.2mm)	100-165
3/16" (4.8mm)	200-350

Table 7-2: Filler Wire Selection Guide



#### NOTE!

The operator should use the welding current range values as a guide only, then finally adjust the current setting to suit the application.

### Tungsten Electrode Types

Electrode Type (Ground Finish)	Welding Application	Features	Colour Code
Ceriated 2%	AC & DC welding of mild steel, stainless steel, copper, aluminium, magnesium and their alloys	Longer life, More stable arc, Easier starting, Wider current range, Narrower more concentrated arc.	Grey

Table 7-3

### TIG Welding Filler Rods

Comweld Rod	Aust Std	AWS Std	Part No. 1.6mm	Part No. 2.4mm	Part No. 3.2mm	Type/Application
LW1	R4	ER70S-4	321411	—	—	For mild-medium strength steels. Pipes, tubing, roll cages, etc.
LW1-6	R6	ER70S-6	321417	—	—	
Supersteel	R2	ER70S-2	321370	—	—	
CrMo1	RB2	ER80S-B2	—	321379	—	For welding of high strength Cr-Mo steels used at elevated temperatures.
CrMo2	RB3	ER90S-B3	—	321383	—	
308L	R308L	ER308L	321406	321407	—	For stainless steels. Stainless pipes, tubing, architectural uses, etc.
309L	R309L	ER309L	321403	321404	—	
316L	R316L	ER316L	321400	321401	—	

Table 7-4

Base Metal Thickness	DC Current for Mild Steel	DC Current for Stainless Steel	Tungsten Electrode Diameter	Filler Rod Diameter (if required)	Argon Gas Flow Rate Litres/min	Joint Type
0.040"	35-45	20-30	0.040"	1/16"	5-7	Butt/Corner Lap/Fillet
1.0mm	40-50	25-35	1.0mm	1.6mm		
0.045"	45-55	30-45	0.040"	1/16"	5-7	Butt/Corner Lap/Fillet
1.2mm	50-60	35-50	1.0mm	1.6mm		
1/16"	60-70	40-60	1/16"	1/16"	7	Butt/Corner Lap/Fillet
1.6mm	70-90	50-70	1.6mm	1.6mm		
1/8"	80-100	65-85	1/16"	3/32"	7	Butt/Corner Lap/Fillet
3.2mm	90-115	90-110	1.6mm	2.4mm		
3/16"	115-135	100-125	3/32"	1/8"	10	Butt/Corner Lap/Fillet
4.8mm	140-165	125-150	2.4mm	3.2mm		
1/4"	160-175	135-160	1/8"	5/32"	10	Butt/Corner Lap/Fillet
6.4mm	170-200	160-180	3.2mm	4.0mm		

Table 7-5

TIG Welding is generally regarded as a specialised process that requires operator competency. While many of the principles outlined in the previous Arc Welding section are applicable a comprehensive outline of the TIG Welding process is outside the scope of this Operating Manual. For further information please refer to [www.cigweld.com.au](http://www.cigweld.com.au) or contact Cigweld.



## 7.04 TIG (GTAW) Welding Problems

FAULT	CAUSE	REMEDY
1 Excessive bead build up or poor penetration or poor fusion at edges of weld.	Welding current is too low	Increase weld current and/or faulty joint preparation.
2 Weld bead too wide and flat or undercut at edges of weld or excessive burn through.	Welding current is too high	Decrease weld current.
3 Weld bead too small or insufficient penetration or ripples in bead are widely spaced apart.	Travel speed too fast	Reduce travel speed.
4 Weld bead too wide or excessive bead build up or excessive penetration in butt joint.	Travel speed too slow	Increase travel speed.
5 Uneven leg length in fillet joint	Wrong placement of filler rod	Re-position filler rod.
6 Electrode melts or oxidises when an arc is struck.	A Torch lead connected to positive welding terminal. B No shielding gas flowing to welding region. C Torch is clogged with dust or dirt. D Shielding gas hose is damaged. E Shielding gas regulator turned off. F The electrode is too small for the welding current.	A Connect torch lead to negative welding terminal. B Check the shielding gas lines for kinks or breaks and shielding gas cylinder contents. C Clean torch. D Replace shielding gas hose. E Turn On Shielding Gas and adjust Shielding Gas flow rate for the welding job. Refer to Table 7-5 on Page 7-7. F Increase electrode diameter or reduce the welding current.
7 Dirty weld pool	A Electrode contaminated by contact with work piece or filler rod material. B Work piece surface has foreign material on it. C Shielding gas contaminated with air.	A Clean the electrode by grinding off the contaminates. B Clean surface. C Check shielding gas lines for cuts and loose fitting or change shielding gas cylinder.
8 Poor weld finish	Inadequate shielding gas.	Increase shielding gas flow or check shielding gas line for shielding gas flow problems.

FAULT	CAUSE	REMEDY
<p>9 Arc start is not smooth.</p>	<p>A Tungsten electrode is too large for the welding current.</p> <p>B The wrong electrode is being used for the welding job.</p> <p>C Shielding gas flow rate is too high.</p> <p>D Incorrect shielding gas is being used.</p> <p>E Poor work clamp connection to work piece.</p>	<p>A Select the right size tungsten electrode. Refer to Table 7-1 Cigweld Tungsten Electrode Selection Chart.</p> <p>B Select the right size tungsten electrode type. Refer to Table 7-1 Cigweld Tungsten Electrode Selection Chart.</p> <p>C Select the right shielding gas flow rate for the welding job. Refer to Table 7-5 on page 7-7</p> <p>D Select the correct shielding gas.</p> <p>E Improve connection to work piece.</p>
<p>10 Arc flutters during TIG welding.</p>	<p>Tungsten electrode is too large for the welding current.</p>	<p>Select the right size tungsten electrode. Refer to Table 7-1 Cigweld Tungsten Electrode Selection Chart.</p>

Table 7-6: TIG (GTAW) Welding Problems

## SECTION 8: ROUTINE SERVICE REQUIREMENTS AND POWER SOURCE PROBLEMS

### 8.01 Routine Maintenance & Inspection



#### WARNING

There are extremely dangerous voltage and power levels present inside this product. Do not attempt to open or repair unless you are a qualified electrical tradesperson. Disconnect the Welding Power Source from the Mains Supply Voltage before disassembling.

Welding equipment should be regularly checked by a qualified electrical tradesperson to ensure that:

- The main earth wire of the electrical installation is intact.
- Power point for the Welding Power Source is effectively earthed and of adequate current rating.
- Plugs and cord extension sockets are correctly wired.
- Flexible cord is of the 3-core tough rubber or plastic sheathed type of adequate rating, correctly connected and in good condition.
- Welding terminals are shrouded to prevent inadvertent contact or short circuit.
- The frame of the Welding Power Source is effectively earthed.
- Welding leads and electrode holder are in good condition.
- The Welding Power Source is clean internally, especially from metal filing, slag, and loose material. If any parts are damaged for any reason, replacement is recommended.

### 8.02 Cleaning the Welding Power Source



#### WARNING

There are extremely dangerous voltage and power levels present inside this product. Do not attempt to open or repair unless you are a qualified electrical tradesperson. Disconnect the Welding Power Source from the Mains Supply Voltage before disassembling.

To clean the Welding Power Source, open the enclosure and use a vacuum cleaner to remove any accumulated dirt, metal filings, slag and loose material. Keep the shunt and lead screw surfaces clean as accumulated foreign material may reduce the welders output welding current.



#### CAUTION

Do not use compressed air to clean the Welding Power Source. Compressed air can force metal particles to lodge between live electrical parts and earthed metal parts within the Welding Power Source. This may result in arcing between this parts and their eventual failure.

### 8.03 Cleaning the Feed Rolls

Clean the grooves in the drive rolls frequently. This can be done by using a small wire brush. Also wipe off or clean the grooves on the upper feed roll. After cleaning, tighten the feed roll retaining knobs.

### 8.04 Basic Troubleshooting



#### WARNING

There are extremely dangerous voltage and power levels present inside this product. Do not attempt to open or repair unless you are a qualified electrical tradesperson and you have had training in power measurements and troubleshooting techniques.

If major complex subassemblies are faulty, then the Welding Power Source must be returned to an Accredited CIGWELD Service Agent for repair.

The basic level of troubleshooting is that which can be performed without special equipment or knowledge.

### 8.05 Welding Power Source Problems

PROBLEM	CAUSE	REMEDY
1 Mains Supply Voltage is On, the On/Off switch on the rear panel is in the On position and the Power indicator on the front panel is illuminated however the power source will not MIG weld.	A Power source is not in the correct mode of operation.	A Set the power source to MIG mode. Refer to Section 4.02.1.
	B MIG Torch Polarity Lead is not connected.	B Connect the MIG Torch Polarity Lead to the positive or negative output terminal. Refer to Section 4.02.11.
	C Work Lead is not connected to the work piece.	C Ensure that the Work Lead is connected to the work piece and has a good connection to the work piece. Refer to Set Up for MIG Section 5.09 or 5.10.
	D MIG torch is not correctly connected to the Euro Style MIG Torch Adaptor.	D Ensure that the MIG torch is correctly connected to the Euro Style MIG Torch Adaptor. Refer to Section 4.02.5 & 5.02.
2 Mains Supply Voltage is On, the On/Off switch on the rear panel is in the On position and the Power indicator on the front panel is illuminated however the power source will not STICK weld.	A Power source is not in the correct mode of operation.	A Set the power source to STICK mode. Refer to Section 4.02.1.
	B Work Lead is not connected to the work piece.	B Ensure that the Work Lead is connected to the work piece and has a good connection to the work piece.
3 Mains Supply Voltage is On, the On/Off switch on the rear panel is in the On position and the Power indicator on the front panel is illuminated however the power source will not TIG weld.	A Power source is not in the correct mode of operation.	A Set the power source to LIFT TIG mode. Refer to Section 4.02.1.
	B Work Lead is not connected to the work piece.	B Ensure that the Work Lead is connected to the work piece and has a good connection to the work piece.
	C TIG Torch 8 Pin Control Plug not connected correctly or loose/faulty connection in plug. (WeldSkill 185 only)	C Connect 8 Pin TIG Torch control plug securely and correctly to the 8 Pin control socket of the front of the Power Source. (WeldSkill 185 only) Repair or replace if faulty. (WeldSkill 185 only)
	D Faulty TIG Torch Trigger. (WeldSkill 185 only)	D Repair or replace TIG Torch Trigger switch/lead.

<b>PROBLEM</b>	<b>CAUSE</b>	<b>REMEDY</b>
4 Mains Supply Voltage is On, the On/Off switch in the rear panel is in the On position but the Power On indicator on the front panel is Not illuminated and the digital displays on the front panel are also not illuminated and the power source will not weld.	This may occur due to the activation of an in-built protective device if the Power Source is repeatedly switched On then Off rapidly or the supply to the Power Source is switched On then Off rapidly.	If this occurs leave the Power Source On/Off switch in the Off position for several minutes to allow the protective device to reset.
5 Over Temp Indicator is illuminated and unit will not commence welding when the torch trigger switch is depressed.	Duty cycle of power source has been exceeded.	Leave the power source switched ON and allow it to cool. Note that Over Temp indicator must be extinguished prior to commencement of welding.
6 Unit will not feed wire in MIG mode.	A Incorrect Feed Roll fitted for wire type being used. (WeldSkill 185 only)	A Fit the correct feed roll for MIG wire type being used. Refer to section 2.11 for optional feed rolls available and Section 5.07 for feed roll fitting details. (WeldSkill 185 only)
	B Pressure Roller Arm is not secured in the down position or not correctly adjusted.	B Secure Pressure Roller in the down position and ensure that it is correctly adjusted. Refer to Section 5.05 and 5.06.
	C Electrode wire stuck in conduit liner or contact tip (burn-back jam).	C Check for clogged / kinked MIG torch conduit liner or worn contact tip. Replace faulty components.
	D Internal fault in power source	D Have an Accredited CIGWELD Service Provider investigate the fault.
7 Welding wire continues to feed when torch trigger is released.	A Trigger mode selection switch is in 4T latch mode.	A Change the trigger mode selection switch from 4T latch mode to 2T normal mode.
	B Torch trigger leads shorted.	B Repair or replace torch trigger switch/lead.
8 Welding arc cannot be established in MIG mode.	A MIG torch polarity lead is not connected into a welding output terminal.	A Connect the MIG torch polarity lead to either the positive welding output terminal or the negative welding output terminal as required.
	B Poor or no work lead contact.	B Clean work clamp area and ensure good electrical contact.

PROBLEM	CAUSE	REMEDY
9 Inconsistent wire feed.	A Worn or dirty contact tip.	A Replace if necessary.
	B Worn feed roll.	B Replace.
	C Excessive brake tension on wire reel hub.	C Reduce brake tension on spool hub
	D Worn, kinked or dirty conduit liner	D Clean or replace conduit liner
10 No gas flow in MIG mode.	A Gas hose is damaged.	A Replace or repair.
	B Gas passage contains impurities.	B Disconnect gas hose from the rear of power source or wirefeeder and blow out impurities.
	C Gas regulator turned off.	C Turn on regulator.
	D Empty gas cylinder.	D Replace gas cylinder.
11 Gas flow continues after the torch trigger switch has been released (MIG mode).	Gas valve has jammed open due to impurities in the gas or the gas line.	Have an accredited CIGWELD service provider repair or replace gas valve.
12 Power indicator will not illuminate and welding arc cannot be established.	The mains supply voltage has exceeded voltage limits of the power source.	Ensure that the mains supply voltage is within 240VAC $\pm$ 15%.
13 TIG electrode melts when arc is struck.	TIG torch is connected to the (+) VE terminal.	Connect the TIG torch to the (-) VE terminal.
14 Arc flutters during TIG welding.	Tungsten electrode is too large for the welding current.	Select the correct size of tungsten electrode. Refer to Table 6-1.

Table 8-1

## SECTION 9: KEY SPARE PARTS

### 9.01 WeldSkill 155 Key Spare Parts

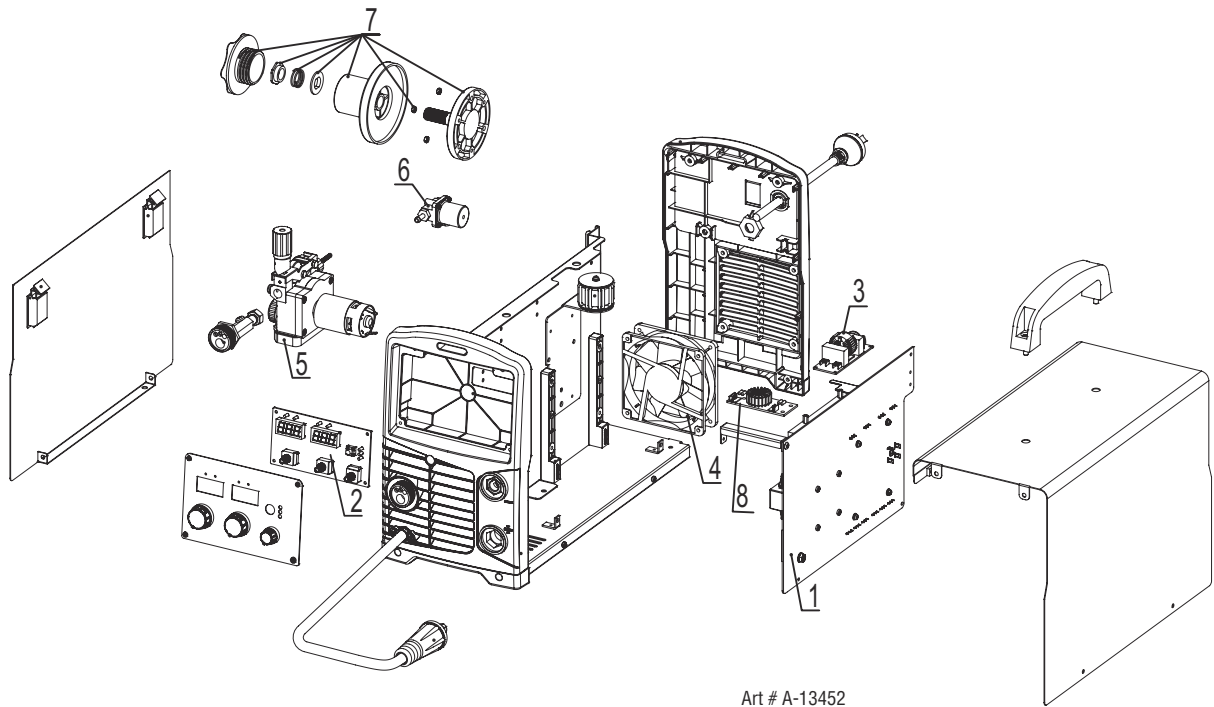
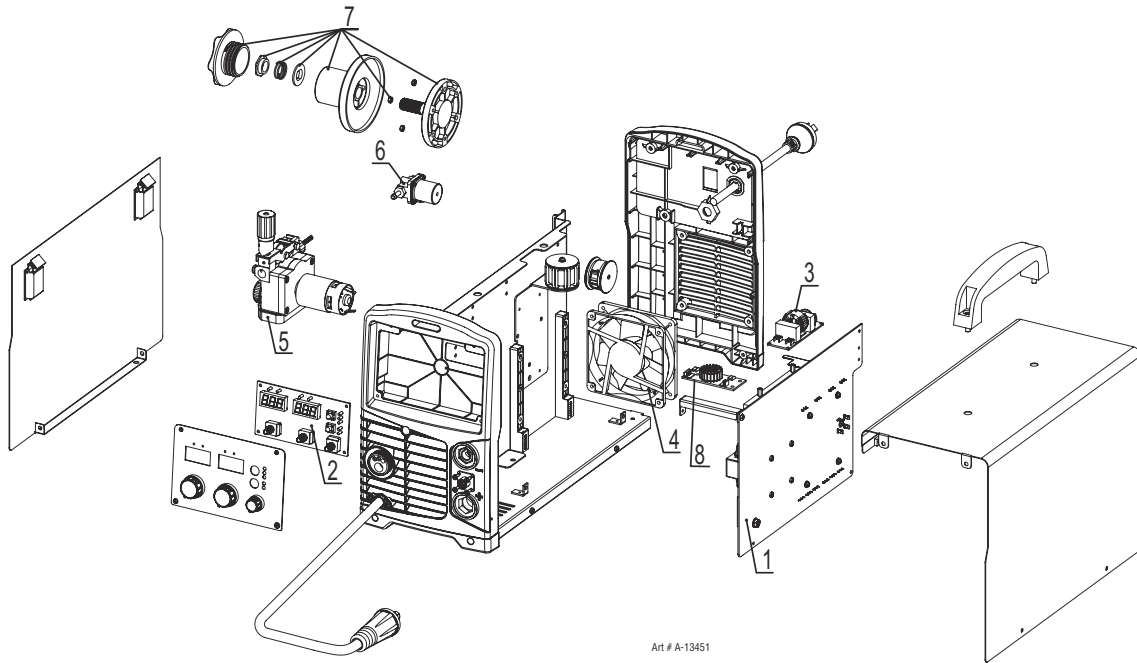


Figure 9-1

WELDSKILL 155 POWER SOURCE KEY SPARE PARTS		
ITEM	PART NUMBER	DESCRIPTION
1	W7006865	PCBA Power Inverter
2	W7006866	PCBA Front Panel
3	W7006806	PCBA EMC Filter
4	W7006867	Fan Assembly
5	W7006868	Wire Drive Assembly
6	W7006869	Gas Solenoid Valve 24VDC
7	W7006870	Spool Hub Assembly
8	W7006884	PCBA Wire Feed Filter

Table 9-1

### 9.02 WeldSkill 185 Key Spare Parts



Art # A-13451

Figure 9-2

WELDSKILL 185 POWER SOURCE KEY SPARE PARTS		
ITEM	PART NUMBER	DESCRIPTION
1	W7006880	PCBA Power Inverter
2	W7006881	PCBA Front Panel
3	W7006806	PCBA EMC Filter
4	W7006867	Fan Assembly
5	W7006868	Wire Drive Assembly
6	W7006869	Gas Solenoid Valve 24VDC
7	W7006870	Spool Hub Assembly
8	W7006884	PCBA Wire Feed Filter

Table 9-2



**9.03 E-180 MIG Torch 3m (P/N W4018800) Key Spare Parts**

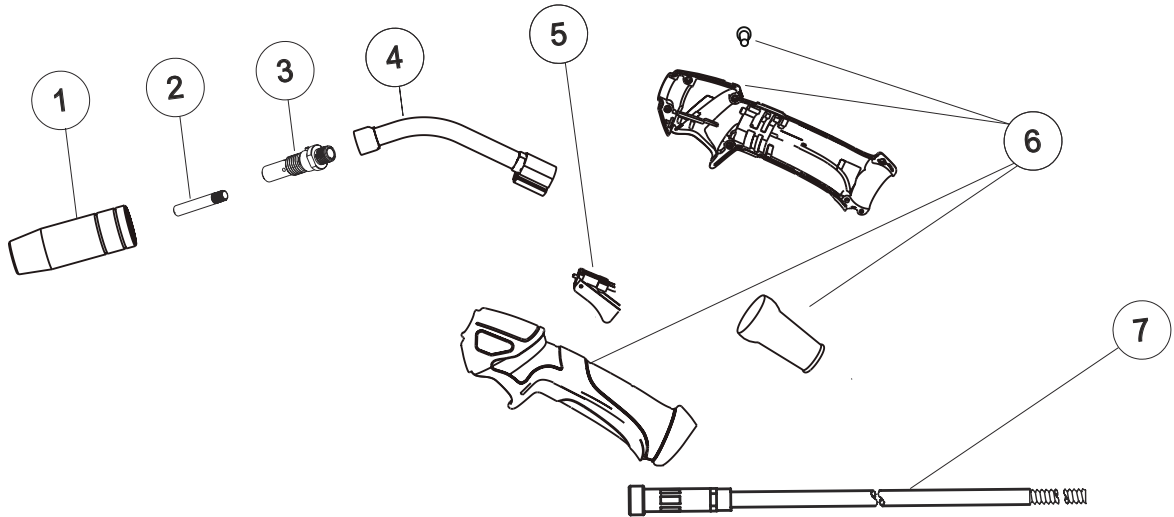


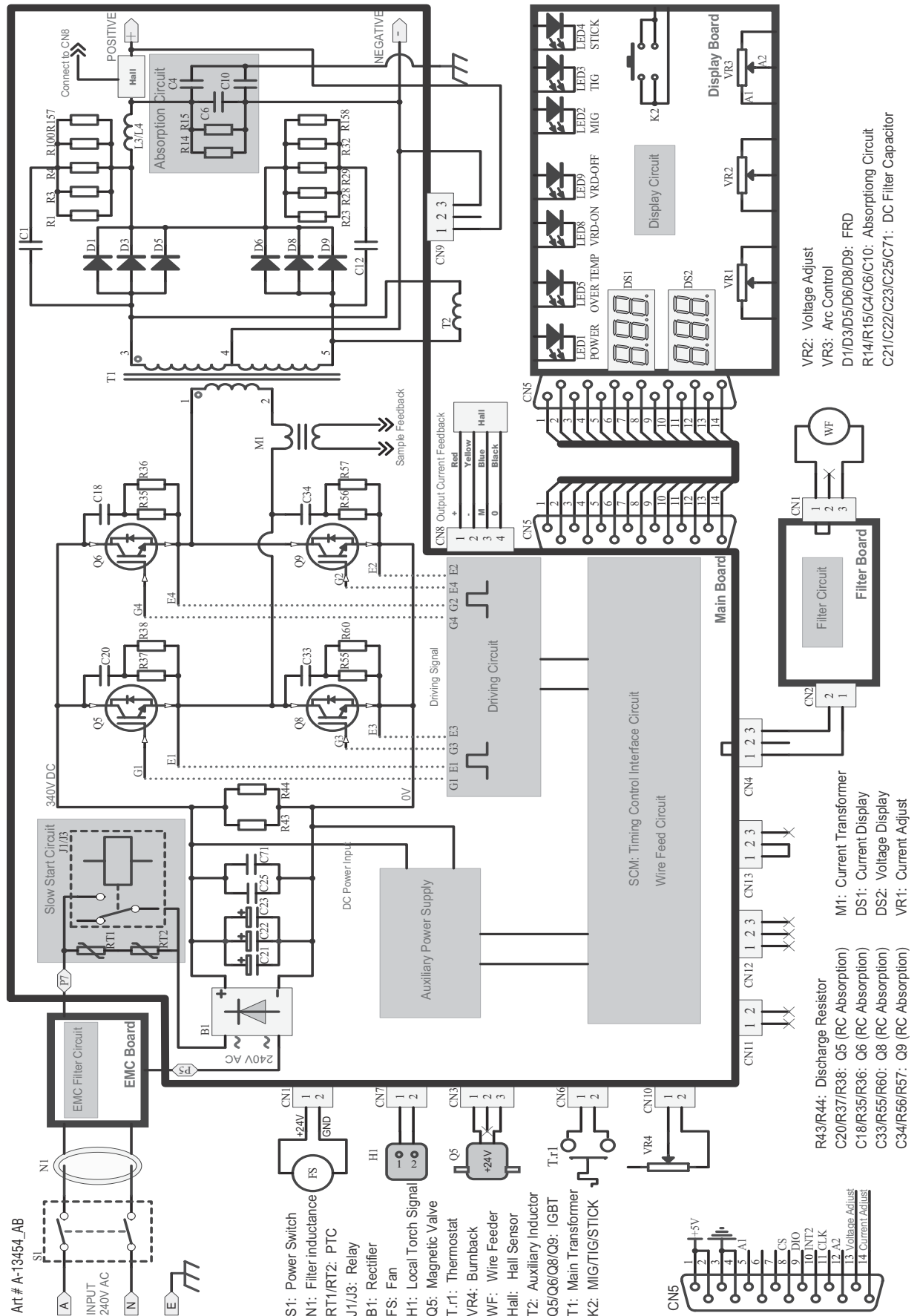
Figure 9-3

MIG TORCH KEY SPARE PARTS		
ITEM	PART NUMBER	DESCRIPTION
1	W6000600	Nozzle
2	OTW11/23/R	Contact Tip 0.6mm
	OTW11/30/R	Contact Tip 0.8mm
	OTW11/35/R	Contact Tip 0.9mm
	OTW11/40/R	Contact Tip 1.0mm
	OTW11/45/R	Contact Tip 1.2mm
3	W6000606	Diffuser
4	W6000607	Conductor Tube
5	W6000608	Trigger Assembly
6	W6000609	Handle Mouldings (includes handle mouldings, screws, cable support)
7	WS1240015/R	Conduit Liner Steel 5m, 0.6-1.0mm Blue (hard wires)
	WS1240031/R	Conduit Liner Steel 4m, 1.0-1.2mm Red (hard wires)
	WS1260026/R	Conduit Liner Teflon 4m, 0.8-1.2mm Red (soft wires)
	WS0010304/R	Jump Liner 1.0-1.2mm

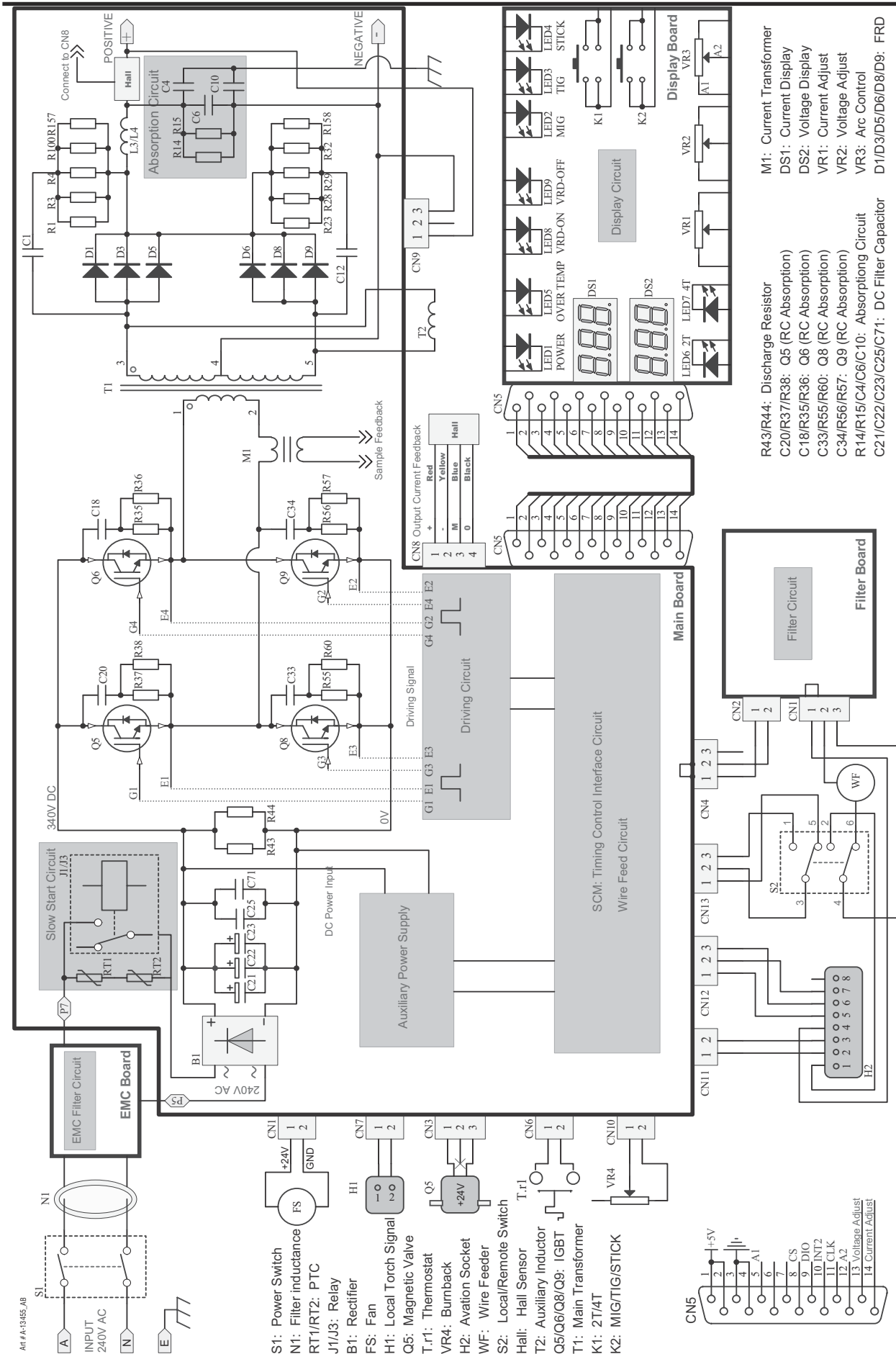
Table 9-3

This page is intentionally blank.

# APPENDIX 1: WELDSKILL 155 CIRCUIT DIAGRAM



### APPENDIX 2: WELDSKILL 185 CIRCUIT DIAGRAM



## CIGWELD - LIMITED WARRANTY TERMS

---

LIMITED WARRANTY: CIGWELD Pty Ltd, An ESAB Brand, hereafter, "CIGWELD" warrants to customers of its authorized distributors hereafter "Purchaser" that its products will be free of defects in workmanship or material. Should any failure to conform to this warranty appear within the time period applicable to the CIGWELD products as stated below, CIGWELD shall, upon notification thereof and substantiation that the product has been stored, installed, operated, and maintained in accordance with CIGWELD's specifications, instructions, recommendations and recognized standard industry practice, and not subject to misuse, repair, neglect, alteration, or accident, correct such defects by suitable repair or replacement, at CIGWELD's sole option, of any components or parts of the product determined by CIGWELD to be defective.

CIGWELD MAKES NO OTHER WARRANTY, EXPRESS OR IMPLIED. THIS WARRANTY IS EXCLUSIVE AND IN LIEU OF ALL OTHERS, INCLUDING, BUT NOT LIMITED TO ANY WARRANTY OF MERCHANTABILITY OR FITNESS FOR ANY PARTICULAR PURPOSE.

LIMITATION OF LIABILITY: CIGWELD SHALL NOT UNDER ANY CIRCUMSTANCES BE LIABLE FOR SPECIAL, INDIRECT OR CONSEQUENTIAL DAMAGES, SUCH AS, BUT NOT LIMITED TO, LOST PROFITS AND BUSINESS INTERRUPTION. The remedies of the Purchaser set forth herein are exclusive and the liability of CIGWELD with respect to any contract, or anything done in connection therewith such as the performance or breach thereof, or from the manufacture, sale, delivery, resale, or use of any goods covered by or furnished by CIGWELD whether arising out of contract, negligence, strict tort, or under any warranty, or otherwise, shall not, except as expressly provided herein, exceed the price of the goods upon which such liability is based. No employee, agent, or representative of CIGWELD is authorized to change this warranty in any way or grant any other warranty.

PURCHASER'S RIGHTS UNDER THIS WARRANTY ARE VOID IF REPLACEMENT PARTS OR ACCESSORIES ARE USED WHICH IN CIGWELD'S SOLE JUDGEMENT MAY IMPAIR THE SAFETY OR PERFORMANCE OF ANY CIGWELD PRODUCT. PURCHASER'S RIGHTS UNDER THIS WARRANTY ARE VOID IF THE PRODUCT IS SOLD TO PURCHASER BY NON-AUTHORIZED PERSONS.

The warranty is effective for the time stated below beginning on the date that the authorized distributor delivers the products to the Purchaser. Notwithstanding the foregoing, in no event shall the warranty period extend more than the time stated plus one year from the date CIGWELD delivered the product to the authorized distributor.

Any claim under this warranty must be made within the warranty period which commences on the date of purchase of the product. To make a claim under the warranty, take the product (with proof of purchase from a Cigweld Accredited Seller) to the store where you purchased the product or contact Cigweld Customer Care 1300 654 674 for advice on your nearest Service Provider. CIGWELD reserves the right to request documented evidence of date of purchase. CIGWELD or our Accredited Distributor must be notified in writing of its claim within seven (7) days of becoming aware of the basis thereof, and at its own expense returning the goods which are the subject of the claim to CIGWELD or nominated Accredited Distributor/Accredited Service Provider

This warranty is given.

Cigweld Pty Ltd

A.B.N. 56007226815

71 Gower Street, Preston

Victoria, Australia, 3072

Phone: 1300 654 674

Email: [enquiries@cigweld.com.au](mailto:enquiries@cigweld.com.au)

Website: [www.cigweld.com.au](http://www.cigweld.com.au)

This warranty is provided in addition to other rights and remedies you have under law: Our goods come with guarantees which cannot be excluded under the Australian Consumer Law. You are entitled to replacement or refund for a major failure and to compensation for other reasonably foreseeable loss or damage. You are also entitled to have the goods repaired or replaced if the goods fail to be of acceptable quality and the failure does not amount to a major failure.

Please note that the information detailed in this statement supersedes any prior published data produced by CIGWELD.

## **WARRANTY SCHEDULE – WELDSKILL 155 & 185 INVERTERS**

<b>WARRANTY</b>	<b>WARRANTY PERIOD – (Parts and Labour)</b>
WeldSkill 155 and 185 Inverter Power Source	2 Years
<b>ACCESSORIES</b>	<b>WARRANTY PERIOD</b>
MIG torch, electrode holder lead and work lead	3 Months
MIG torch consumable items	NIL
Gas regulator/flowmeter (excluding seat assembly, pressure gauges, elastomer seals and "O" rings)	1 Year
Regulator seat assemblies and pressure gauges	6 Months
Elastomer seals and "O" rings used in the equipment	3 Months

CIGWELD Limited Warranty does not apply to;

- Obsolete goods sold at auction, second-hand goods and prototype goods.
- Consumable Parts for MIG, TIG, Plasma welding, Plasma cutting and Oxy fuel torches, O-rings, fuses, filters or other parts that fail due to normal wear.

Note:

\* No employee, agent, or representative of CIGWELD is authorized to change this warranty in any way or grant any other warranty, and CIGWELD shall not be bound by any such attempt. Correction of non-conformities, in the manner and time provided herein, constitutes fulfilment of CIGWELD's obligations to purchaser with respect to the product.

\* This warranty is void, and seller bears no liability hereunder, if purchaser used replacement parts or accessories which, in CIGWELD's sole judgment, impaired the safety or performance of any CIGWELD product and if the unit is altered or serviced by an unauthorised CIGWELD Service Provider. Purchaser's rights under this warranty are void if the product is sold to purchaser by unauthorized persons.

This Page Intentionally Blank



**ESAB**

**CIGWELD Pty Ltd**  
**CIGWELD An ESAB Brand**  
71 Gower Street, Preston VIC 3072 Australia

**Customer Care:**  
Tel: 1300 654 674 | Fax: 03 9474 7391  
Email: [enquiries@cigweld.com.au](mailto:enquiries@cigweld.com.au)

**International Enquiries**  
Tel: +61 3 9474 7508 | Fax: +61 3 9474 7488

**Malaysia -**  
No 14 Jalan Teknologi 3/1  
Selangor Science Park 1  
Kota Damansara, 47810 Petaling Jaya  
Selangor Darul Ehsan  
Malaysia

Tel: 60 3 6145 0995 | Fax: 60 3 6145 0585

**Indonesia -**  
Jl. Pulogadung No. 45  
Kawasan Industri Pulogadung  
Jakarta, 13930  
Indonesia

Tel: +62 21 460 0188 | Fax: +62 21 461 2929