

1004 Series Marker Lamps

- Rubber housing design
- ADR approved
- IP67 100% Water proof
- Voltage Range 12-24 Volt

ADR
Approved

100%
Water Proof

5 Year
Warranty

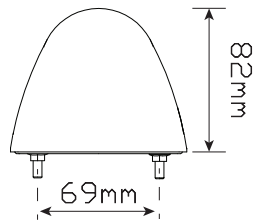
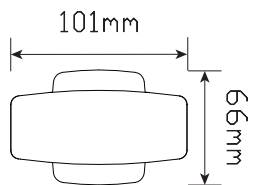
Function	Marker Lamps	
Size	101mm x 82mm x 66mm	
Voltage	12-24 Volt	
Cable	40cm	
Lens	PMMA Acrylic	
Base	Rubber	

Draw	Red	Amber
@13.8V	0.03A	0.06A
@28V	0.04A	0.04A

Approvals	Function	Category	CRN
ADR	Side Marker	45/01	43129



Part Number
1004ARM - Blister Single
1004ARMB - Bulk Poly Bag



Fitting Instructions

Fix to flat surface, amber facing forward and red facing to the back with two bolts supplied. Please refer to ADR 13/00 for mounting instructions.



All enquiries P: (03) 9466 7075 E: led@ledtech.com.au, www.ledautolamps.com

All efforts are made to ensure all information is correct and up to date, it can be subject to change without notice. All measurements are in millimeters (mm) and are not to scale.

© All LED Technologies designs are registered throughout the world. - Current as of 13/2/2017

1004 Series Marker Lamps

- Rubber housing design
- ADR approved
- IP67 100% Water proof
- Voltage Range 12-24 Volt

ADR
Approved

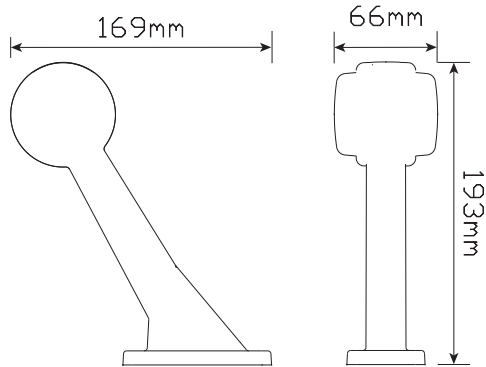
100%
Water Proof

5 Year
Warranty

Function	Marker Lamps	
Size	193mm x 169mm x 66mm	
Voltage	12-24 Volt	
Cable	40cm	
Lens	PMMA Acrylic	
Base	Rubber	

Draw	Red	Amber
@13.8V	0.03A	0.06A
@28V	0.04A	0.04A

Approvals	Function	Category	CRN
ADR	Side Marker	45/01	43129



Part Number
1004R - RHS Bulk Poly Bag



Part Number
1004L - LHS Bulk Poly Bag

Fitting Instructions

Fix to flat surface, amber facing forward and red facing to the back.
Please refer to ADR 13/00 for mounting instructions.



All enquiries P: (03) 9466 7075 E: led@ledtech.com.au, www.ledautolamps.com

All efforts are made to ensure all information is correct and up to date, it can be subject to change without notice. All measurements are in millimeters (mm) and are not to scale.

© All LED Technologies designs are registered throughout the world. - Current as of 13/2/2017