

- Designed to protect workers from indirect welding flash
- Allows natural light into work areas
- Zip-Ties and Curtain Rings Supplied with Each Curtain - Ready to Install
- Long-Life Construction: Double Hem, Stitched with Heat-Resistant Kevlar Thread, with Heavy Duty Brass Eyelets
- Available in Red or Green
- Fire retardant
- Tested & Conforms to DIN EN 1598: 2011-12



*Comes with Free rings & ties!*



Part No. Colour Red	Part No. Colour Green	Height (Drop)	Width	Unit	Outer Qty
7-1813R	7-1813G	1.8m	1.3m	Each	10
7-1818R	7-1818G	1.8M	1.8m	Each	10
7-1820R	7-1820G	1.8m	2.0m	Each	10
7-1827R	7-1827G	1.8m	2.7m	Each	10
7-1834R	7-1834G	1.8m	3.4m	Each	10
7-1841R	7-1841G	1.8m	4.1m	Each	10
-	7-1848G	1.8m	4.8m	Each	10
-	7-1855G	1.8m	5.5m	Each	10

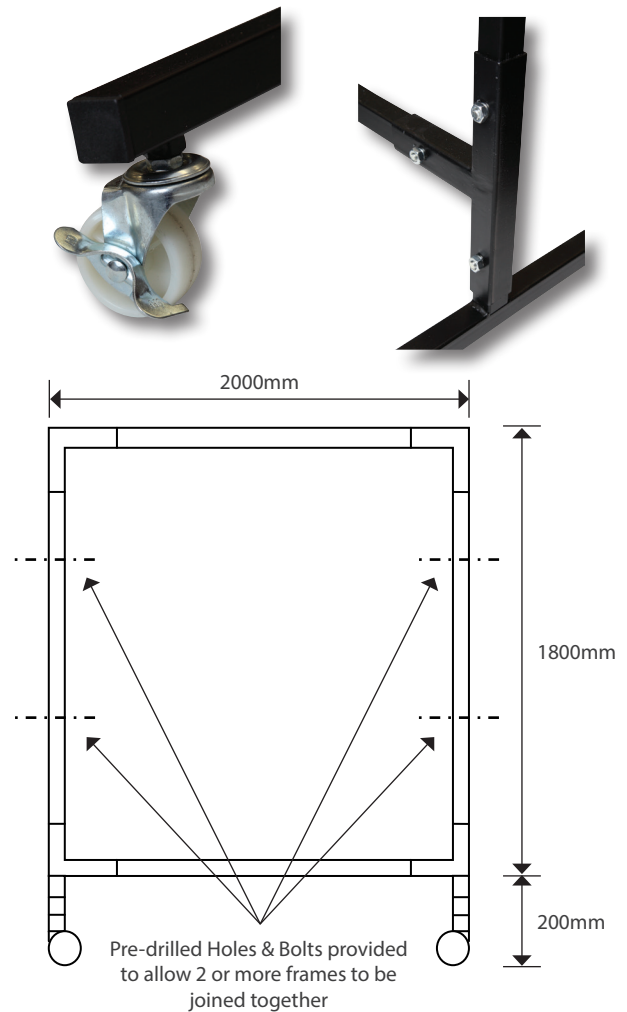
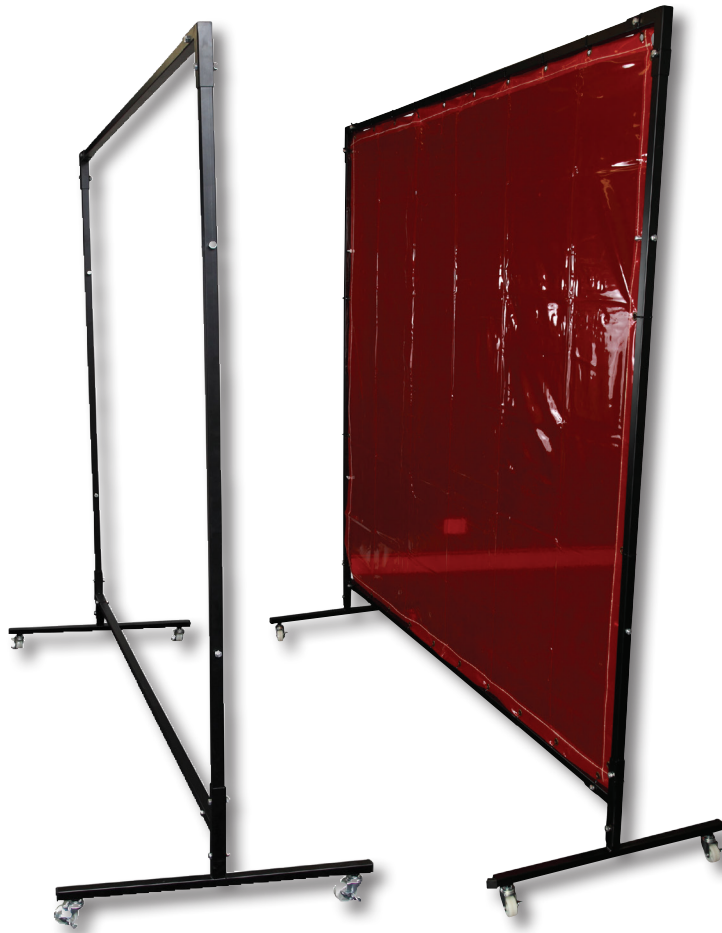
### Technical Data

Intended Application(s)	Protection against indirect welding flash Warning: Curtains must not be used for direct viewing of the arc.
Construction	Curtain: PVC 0.4mm Hem Stitching: Kevlar thread Eyelets: Brass
Standard Conformance	DIN EN 1598:2011-12 (European standard) Conformance tested by DinCerto, Germany

All specifications are subject to change without notice. While all care has been taken, Weldclass accepts no responsibility for any inaccuracies, errors or omissions in this document or attachments. Any comments regarding intended application are for description and identification purposes only. It is the sole responsibility of the user and/or owner and/or purchaser to select the appropriate product for their intended purpose and to ensure that the product selected is capable of performing correctly and safely in the intended application. E.&O.E.



- Heavy-Duty Coated RHS Frame with Welded Corner Brackets
- Includes Lockable Castor Wheels
- Two or More Frames Can be Joined Together (bolts and nuts/washers included), to Create Longer Screens.
- Frame only - does not include curtain
- Suits 1.8 x 2.0m curtains



Part No.	Description	Unit	Inner Qty	Outer Qty
7-WCF1820	Frame to Suit 1.8 x 2.0m Curtain (Overall Size: 2.0 x 2.0m)	Each	1	1

### Technical Data

Construction	Frame: 25x25x1.6mm RHS black painted/coated Corner & Feet Brackets: 30x30x2.0mm RHS black painted/coated Corner Joints: Welded
Shipping Details (Approx)	Supplied flat packed Weight: 13kg 2000 x 65 x 190mm

All specifications are subject to change without notice. While all care has been taken, Weldclass accepts no responsibility for any inaccuracies, errors or omissions in this document or attachments. Any comments regarding intended application are for description and identification purposes only. It is the sole responsibility of the user and/or owner and/or purchaser to select the appropriate product for their intended purpose and to ensure that the product selected is capable of performing correctly and safely in the intended application. E.&O.E.

