

80 Series Quad Combination

ADR
Approved

100%
Water Proof

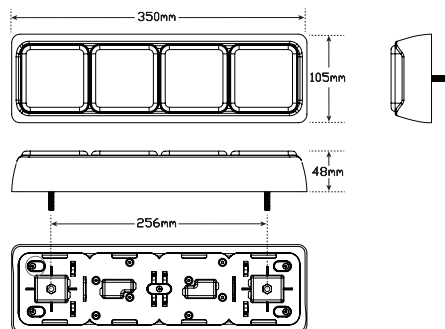
5 Year
Warranty

- Individual Lens Replacement
- 15 Years in Production
- IP67 100% Water proof
- ADR approved
- 5 Year Warranty

Function	(Stop/Tail) (Indicator)(Reverse)
Size	350mm x 105mm x 48mm
Voltage	12-24 Volt
LED Qty	144
Cable	40cm cable

Draw	Stop	Tail	Ind	Rev
@13.8V	0.33A	0.06A	0.31A	0.31A
@28V	0.25A	0.04A	0.22A	0.22A

Approvals	Function	Category	CRN
ADR	Stop/Tail	49/00	33059
ADR	Indicator	6/00 Cat2a	33098
ADR	Reverse	1/00	35797



Stop/Tail/Indicator/Reverse
80ARRWM - Blister

Fitting Instructions

Horizontally mount bracket onto flat surface with bolts at back of assembly. Please refer to ADR 13/00 for mounting instructions.