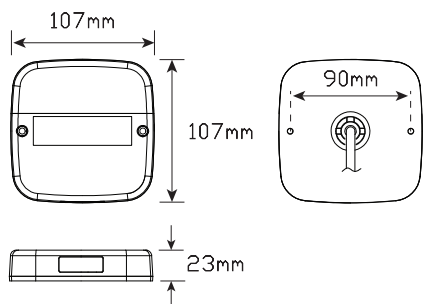


99 Series Small Vehicle/Trailer

- Budget Range Trailer Lamps
- ECE Road Approved
- In built Licence Plate Lamp
- Small Harness Compatible
- 10 Metre Cable Option Available
- IP67 100% Water proof

Function	Stop/Tail/Indicator Licence/Reflector		
Size	107mm x 107mm x 23mm		
Voltage	12 Volt or 12-24 Volt		
LED Qty	8 + Licence		
Cable	40cm of 10m		
Draw	Stop	Tail	Ind
@13.8V	0.07A	0.05A	0.08A
@28V	0.07A	0.06A	0.06A

Approvals	Function	Category	CRN
ECE	Stop/Tail	R1-S1	6877
ECE	Indicator	2a-01	6877
ECE	Licence	L-00	6877
ECE	Reflector	IA-02	6877



Stop/Tail/Indicator/Licence/Reflector, with 4 Pin Plug

- 99ARM1.14P** - 12-24V, with 4 Pin Plug, Bulk
- 99ARLM4P** - 12-24V, Licence, with 4 Pin Plug, Bulk



Fitting Instructions

Surface mount onto flat surface vertically with Indicator at top using bolts in back of lamp, run wire and plug through 10mm hole in fixing surface. Please refer to ADR 13/00 for mounting instructions.

Stop/Tail/Indicator/Licence/Reflector

- 99AR** - 12V, Bulk
- 99ARM** - 12-24V, Bulk
- 99ARL** - 12V, with Licence, Bulk
- 99ARLM** - 12-24V, with Licence, Bulk
- 99ARL2** - 12V, Twin Blister LHS/RHS
- 99ARLM2** - 12-24V, Twin Blister LHS/RHS



Harness System Compatibility

Stop/Tail/Indicator/Licence/Reflector, 10 Metre Cable

- 99ARM10** - 12-24V, 10m Cable, Bulk
- 99ARLM10** - 12-24V, with Licence, 10m Cable, Bulk
- 99ARL2/10** - 12V, 10m Cable, Twin Blister LHS/RHS

ECE
Approved

100%
Water Proof

5 Year
Warranty



All enquiries P: (03) 9466 7075 E: led@ledtech.com.au, www.ledautolamps.com

All efforts are made to ensure all information is correct and up to date, it can be subject to change without notice. All measurements are in millimeters (mm) and are not to scale.

© All LED Technologies designs are registered throughout the world. - Current as of 13/2/2017