



HEAVY DUTY DRAG SCRAPER



The rugged design of our 8, 10, 12 & 14 foot Heavy Duty Drag Scraper is the ideal implement for fast and efficient levelling in a range of applications.

Australian designed and made to suit the agricultural industry, our Heavy Duty Drag Scraper includes quality features like hydraulic blade tilt and lift, walking beam axles and replaceable cutting edges for easy maintenance.

Speak to Collier & Miller regarding more information and pricing for our Heavy Duty Drag Scraper.



FEATURES & BENEFITS

- Heavy Duty Construction
- Replaceable Cutting Edge
- Greaseable Ball Bush on Tow Hitch
- Hydraulic Blade Tilt/Lift
- High Ground Clearance
- Walking Beam Axle
- Powder Coated Finish
- Greaseable Pivot Pins
- Reinforced Mould Board

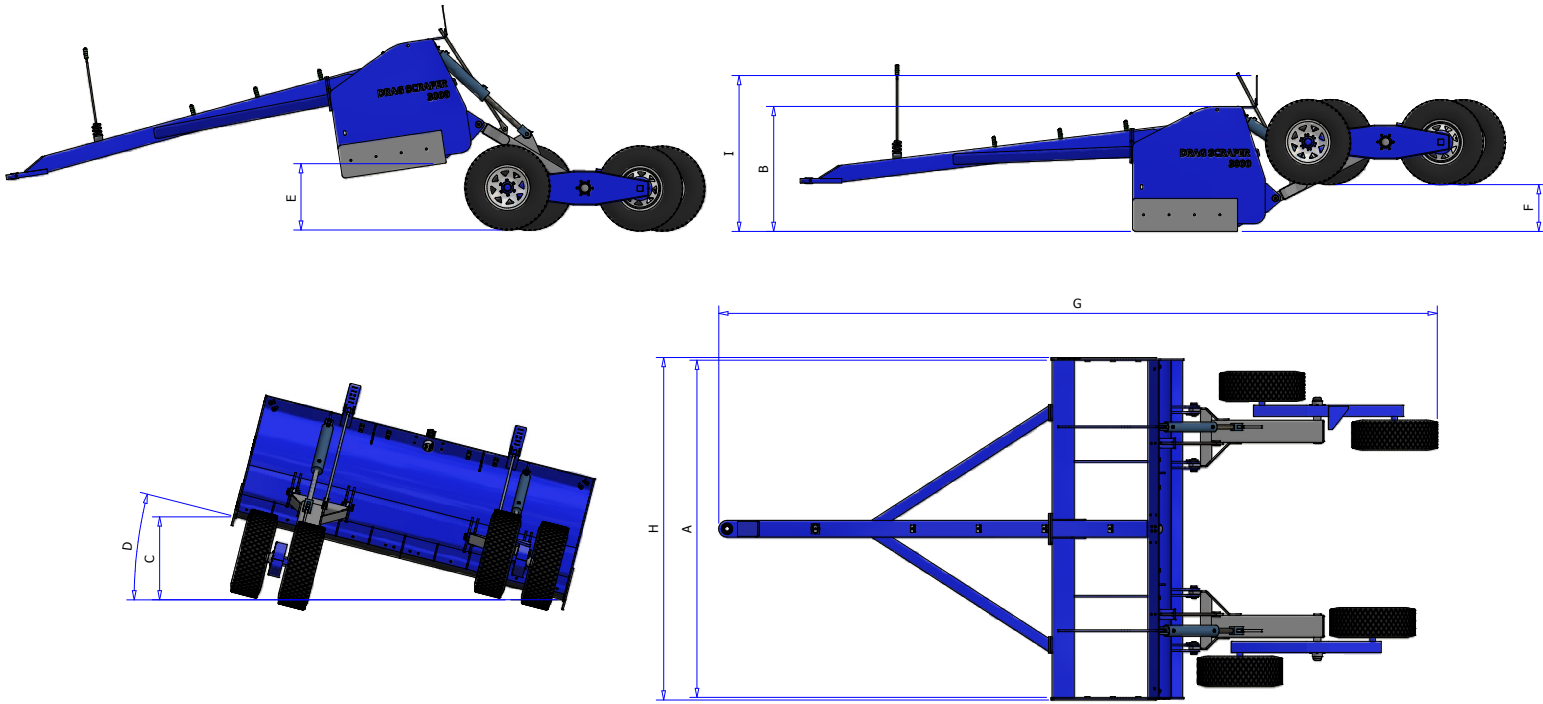


Collier & Miller has over seventy years' experience in designing and manufacturing quality agricultural and industrial equipment. This product is Australian Made & Owned.



www.colliermiller.com.au

- AGRICULTURE
- CME Farm Machinery
- Land Forming Machinery



MODEL	CMDS08	CMDS10	CMDS12	CMDS14
DESCRIPTION	2400 Drag Scraper	3000 Drag Scraper	3600 Drag Scraper	4300 Drag Scraper
BLADE WIDTH	A=2438mm	A=3048mm	A=3657mm	A=4267mm
BLADE HEIGHT	B=750mm	B=1100mm	B=1100mm	B=1100mm
BLADE THICKNESS	6mm	10mm	10mm	10mm
GRADER BLADES	1 x 6" x 5/8" x 8'(GB8658)	2 x 6" x 5/8" x 5' (GB5658)	2 x 6" x 5/8" x 6'(GB6658)	2 x 6" x 5/8" x 7'(GB7658)
MINIMUM HORSE POWER	50HP	120HP	120HP	130HP
MAXIMUM HORSE POWER	130HP	330HP	330HP	330HP
BLADE TILT IN MM AND DEG	C=672mm D=16Deg	C=750mm D=14Deg	C=750mm D=12Deg	C=750mm D=10Deg
MAXIMUM BLADE HEIGHT WHEN LIFTED	E=560mm F=-215mm	E=600mm F=-424mm	E=600mm F=-424mm	E=600mm F=-425mm
WEIGHT	800kg	1690kg	1845kg	1990kg
OVERALL LENGTH	G=5310mm	G=6400mm	G=6400mm	G=6400mm
OVERALL WIDTH	H=2480mm	H=3010mm	H=3720mm	H=4325mm
OVERALL HEIGHT	I=735mm	I=1130mm	I=1130mm	I=1130mm
BLADE HEIGHT CONTROL	Hydraulic	Hydraulic	Hydraulic	Hydraulic
BLADE TILT CONTROL	Hydraulic	Hydraulic	Hydraulic	Hydraulic
MAXIMUM DRAW BAR PIN SIZE	38.6mm	44.5mm	44.5mm	44.5mm
NUMBER OF REMOTES REQUIRED	2	2	2	2
WHEEL SIZE	4 of 31x10.5 R15LT	4 of 31x10.5 R15LT	4 of 31x10.5 R15LT	4 of 31x10.5 R15LT
POWDER COATED FINISH	Yes	Yes	Yes	Yes
QUOTED PRICE				

