

Holemaker

Drilling Solutions By **ITM**®

HOLEMAKER PRO 35

MAGNETIC BASE DRILLING MACHINE

OPERATOR'S MANUAL



HMPRO35

www.itmtools.com.au

Ver: 1.7
Serial Numbers
044042232579
Onwards

LIMITED WARRANTY

Industrial Tool & Machinery Sales (hereinafter referred to as ITMS) will, within twelve (12) months from the original date of purchase, repair or replace any goods found to be defective in materials or workmanship.

This warranty is void if the item has been damaged by accident, neglect, improper service or other causes not arising out of defects in materials or workmanship. This warranty does not apply to machines and/or components which have been altered, changed, or modified in any way, or subjected to overloading or use beyond recommended capacities and specifications. Worn componentry due to normal wear and tear is not a warranty claim. Goods returned defective shall be returned prepaid freight to ITMS or agreed repair agent, which shall be the buyer's sole and exclusive remedy for defective goods. ITMS accepts no additional liability pursuant to this guarantee for the costs of travelling or transportation of the product or parts to and from ITMS or the service agent or dealer, such costs are not included in this warranty.

Our goods come with guarantees which cannot be excluded under the Australian Consumer Law. You are entitled to replacement or refund for a major failure and to compensation for other reasonably foreseeable loss or damage. You are also entitled to have the goods repaired or replaced if the goods fail to be of acceptable quality and the failure does not amount to a major failure.

THE MANUFACTURER RESERVES THE RIGHT TO MAKE IMPROVEMENTS AND MODIFICATIONS TO DESIGN WITHOUT PRIOR NOTICE.

PRODUCTS IMPORTED AND DISTRIBUTED NATIONALLY BY:



INDUSTRIAL TOOL & MACHINERY SALES
11 EASTERN SERVICE ROAD, STAPYLTON, QLD, 4207
T: 07 3287 1114 E: sales@industrialtool.com.au
F: 07 3287 1115 W: www.itmtools.com.au

CONTENTS

1. GENERAL INFORMATION3
1.1. Application3
1.2. Technical data3
1.3. Equipment included4
1.4. Dimensions5
1.5. Design5
2. SAFETY PRECAUTIONS6
3. SYMBOLS8
4. STARTUP AND OPERATION9
4.1. Installing and removing the annular cutter9
4.2. Installing and removing the cooling system10
4.3. Preparing11
4.4. Drilling13
4.5. Replacing the brushes14
5. WIRING DIAGRAM15
6. PARTS BREAKDOWN16

1. GENERAL INFORMATION

1.1. Application

The PRO 35 is a drilling machine designed to drill holes with diameters of up to 35 mm to a depth of up to 52 mm by using annular cutters.

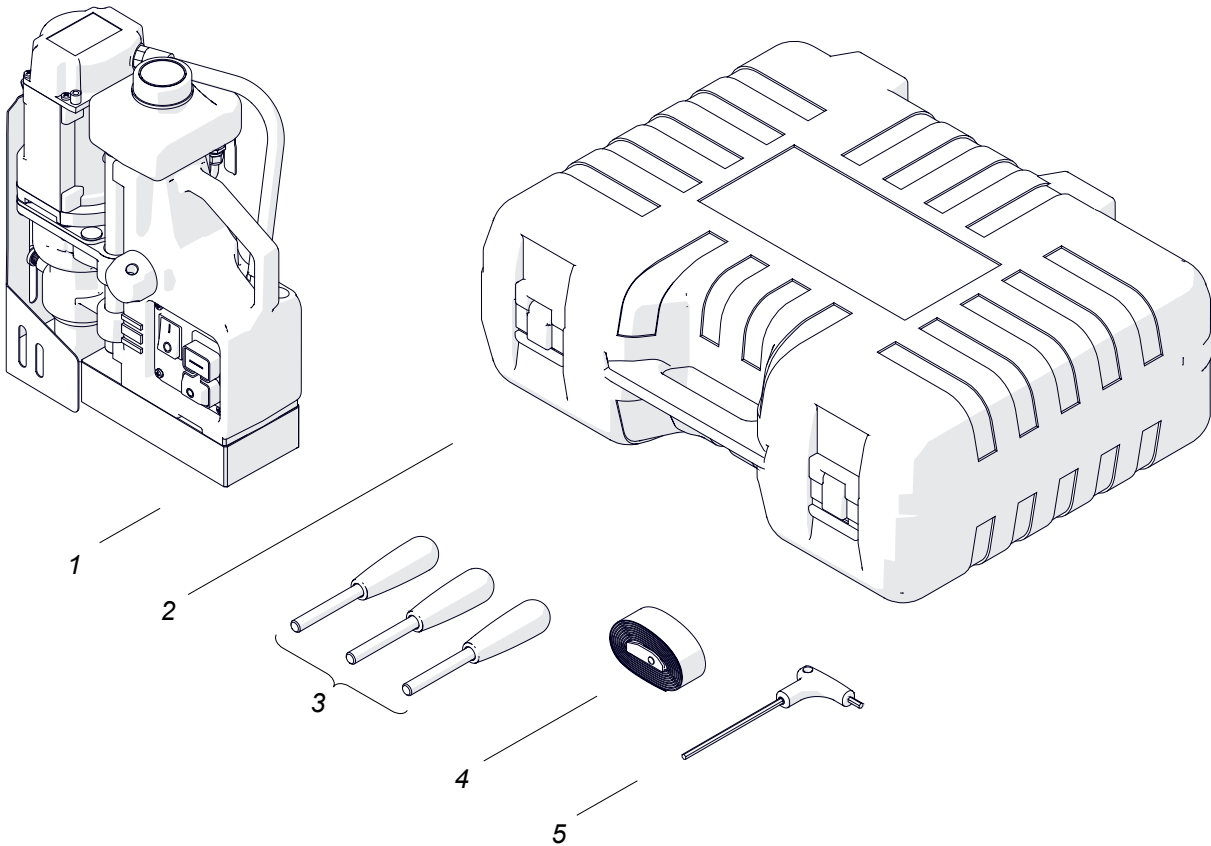
The electromagnetic base clamps the machine to ferromagnetic surfaces. This makes sure that the operator is safe and the machine works correctly. A safety strap protects the machine from falling in case of a clamping loss.

An optional vacuum pad allows you to clamp the machine to non-ferromagnetic surfaces.

1.2. Technical data

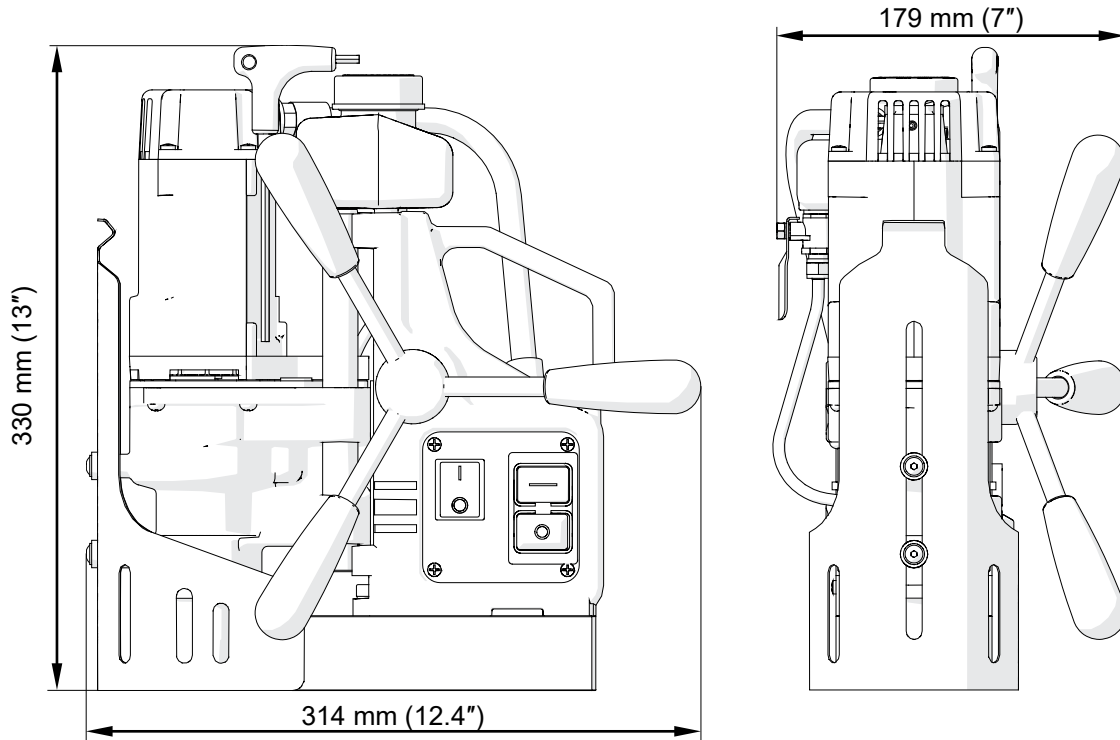
Voltage	1~ 110–120 V, 50–60 Hz 1~ 220–240 V, 50–60 Hz
Power	1020 W
Tool holder	19 mm (3/4") Weldon
Maximum drilling diameter	35 mm
Maximum drilling depth	52 mm
Clamping force surface with the thickness of 25 mm (0.98") and roughness $R_a = 1.25$	9 500 N
Electromagnetic base dimensions	80 mm × 160 mm × 38 mm
Stroke	70 mm
Rotational speed with load	350 rpm
Minimum workpiece thickness	6 mm
Protection class	I
Protection level	IP 20
Noise level	More than 85 dB
Required ambient temperature	0–40°C
Weight	10 kg

1.3. Equipment included

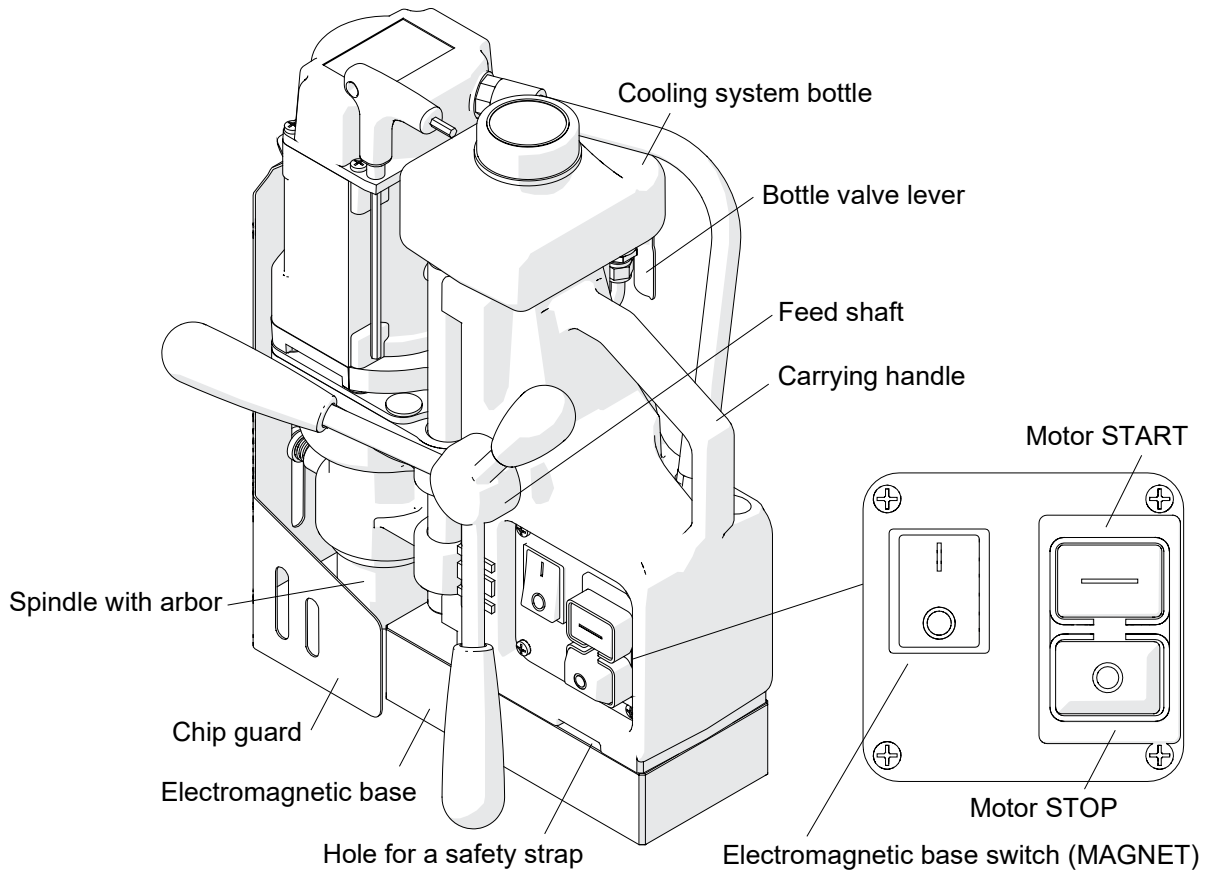


1	Drilling machine with a cooling system bottle and a chip guard	1 unit
2	Plastic box	1 unit
3	Handle	3 units
4	Safety strap	1 unit
5	4 mm hex wrench with a handle	1 unit
-	Operator's manual	1 unit

1.4. Dimensions



1.5. Design



2. SAFETY PRECAUTIONS

1. Before use, read this operator's manual and complete a training in occupational safety and health.
2. Use only in applications specified in this operator's manual.
3. Make sure that the machine has all parts and they are genuine and not damaged.
4. Make sure that the specifications of the power source are the same as those specified on the rating plate.
5. Connect the machine to a correctly grounded power source. Protect the power source with a 16 A fuse for 230 V or a 32 A fuse for 115 V. If you are going to work on building sites, supply the machine through an isolation transformer with class II protection only.
6. Do not carry the machine by the power cord and do not pull the cord. This can cause damage and electric shock.
7. Set the MAGNET switch to 'O' before you move the machine. Use carrying handle to move the machine.
8. Keep untrained bystanders away from the machine.
9. Before each use, ensure the correct condition of the machine, power source, power cord, plug, control panel, and tools.
10. Before each use, make sure that no part is cracked or loose. Make sure to maintain correct conditions that can have an effect on the operation of the machine.
11. Keep the machine dry. Do not expose the machine to rain, snow, or frost.
12. Do not stay below the machine that is put at heights.
13. Keep the work area well-lit, clean, and free of obstacles.
14. Make sure that the tool is correctly attached. Remove wrenches from the work area before you connect the machine to the power source.
15. Do not use tools that are dull or damaged.
16. Unplug the power cord before you install and remove tools. Use protective gloves to install and remove tools.
17. Use annular cutters without the pilot pin only when you drill incomplete through holes.
18. Do not drill holes whose diameter or depth differ from those specified in the technical data.
19. Do not use in explosive environments or near flammable materials.

20. Do not use on surfaces that are rough, not flat, not rigid, or have rust, paint, chips, or dirt.
21. Use the safety strap to attach the machine to a stable structure. Put the strap through the hole in the machine body. In the horizontal position, attach the strap to the carrying handle. Do not put the strap into the buckle from the front.
22. Use eye and ear protection and protective clothing. The clothing must not be loose.
23. Be careful when drilling in plates thinner than 10 mm (0.4"). The clamping force depends on plate thickness and is much lower for thin plates.
24. Each time before you put the machine on the workpiece, rub the workpiece with coarse-grained sandpaper. Make sure that the full bottom of the base touches the surface.
25. Do not touch chips or moving parts. Do not let anything catch in moving parts.
26. After use, clean the machine and the tool. Do not remove chips with bare hands.
27. Unplug the power cord before you do maintenance or install/remove parts.
28. Repair only in a service center appointed by the seller.
29. If the machine falls, is wet, or has any damage, stop the work and immediately send the machine to the service center for check and repair.
30. Do not leave the machine when it operates.
31. If you are not going to use the machine, remove the cutter and the pilot pin from the holder. Then, remove the machine from the work area and keep it in a safe and dry place.
32. If you are not going to use the machine for an extended period, put anti-corrosion material on the steel parts.

3. SYMBOLS

Before using the machine, read the description of the following symbols.



Warning against electric voltage



Wear eye protection



Wear ear protection



Refer to instruction manual

4. STARTUP AND OPERATION

4.1. Installing and removing the annular cutter

Unplug the power cord. Turn the handles to the right (1) to lift the motor. Use gloves to put the correct pilot pin into the cutter (2). Use a dry cloth to clean the spindle and the cutter. Put the cutter into the spindle (3) so that the flat surfaces (4) align with the screws (5). Use the 4 mm hex wrench to tighten the screws.

To remove the cutter, loosen the screws (5) with the 4 mm hex wrench.

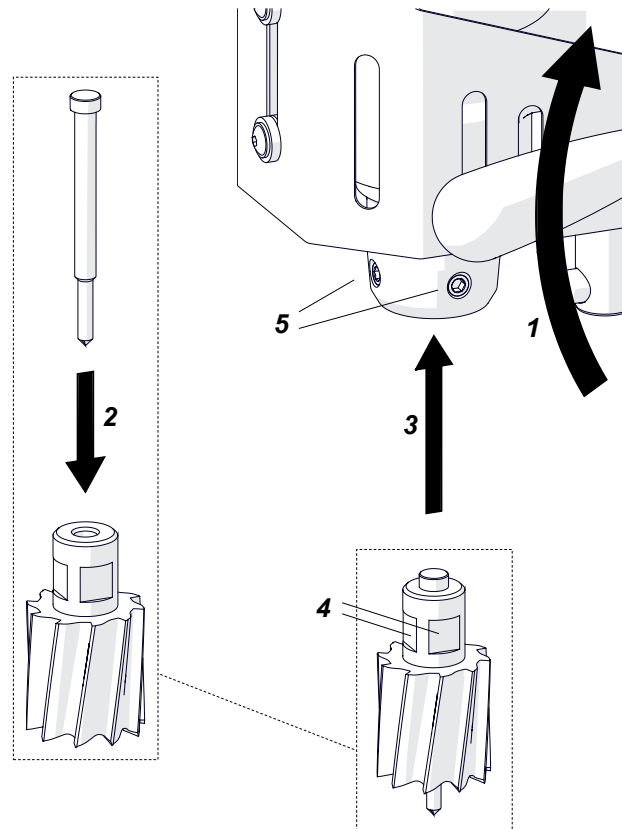


Fig. 1. Installing the annular cutter

4.2. Installing and removing the cooling system

Turn the handles to lift the motor (1). Put the bottle on the machine (2). Attach the hose to the fitting (3).

To remove the bottle, first detach the hose and lift the motor.

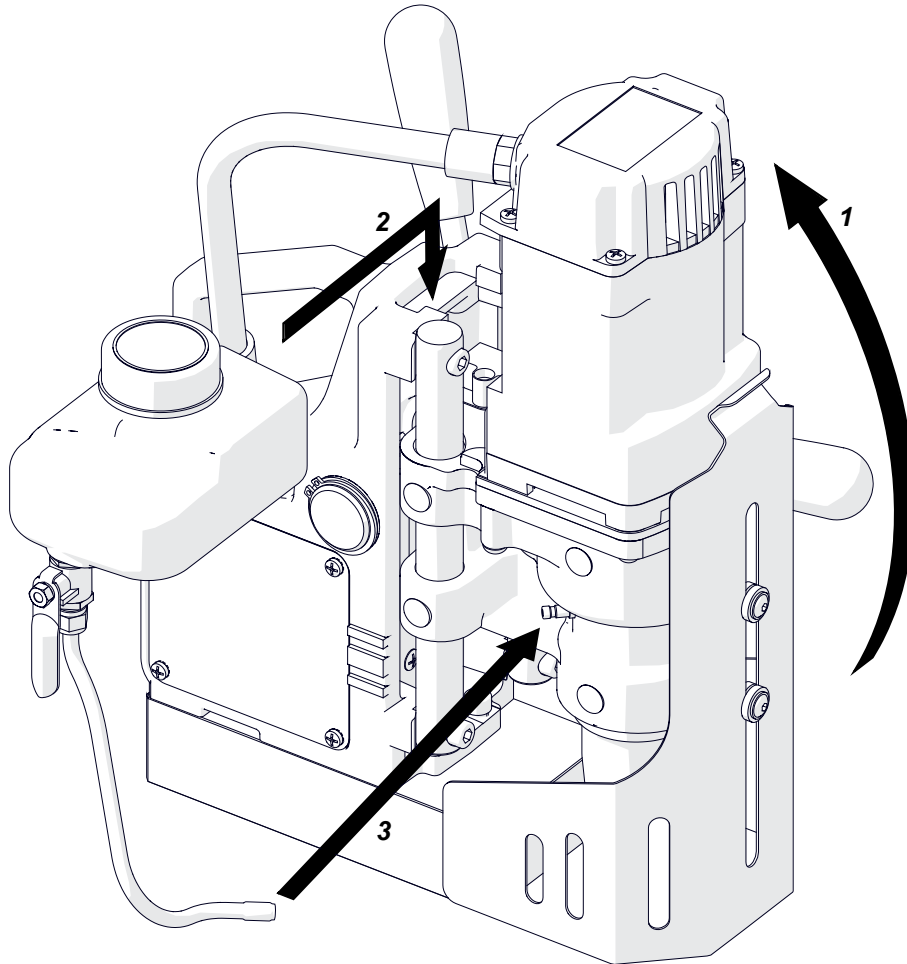


Fig. 2. Installing the cooling system

4.3. Preparing

Before use, clean steel parts, including the spindle, from anti-corrosion material used to preserve the machine for storage and transport.

Attach the handles to the feed shaft. The machine can help the work of a left-handed person or in hard-to-reach places. To do this, install the feed shaft so that the handles are on the opposite side of the machine.

Select the annular cutter that matches the required hole diameter. Use a dry cloth to clean the spindle and the cutter. Then, install the cutter as described before.

Put the machine on a flat ferromagnetic surface that is at least 6 mm (0.24") thick. Connect the machine to the power source. Set the MAGNET switch to 'I' to turn on the clamping.



The clamping force of electromagnetic base will be lower if there is rust, paint, chips, or dirt on the surface of the workpiece. The clamping force will be lower also if the surface is thin, rough, not flat, not rigid, the voltage is lower than required, or the bottom of the base is worn. Some types of steel (non-ferromagnetic) do not conduct magnetic flux so the machine cannot clamp onto them.

Use the safety strap to prevent fall and injury if the machine loses the clamping. Attach the machine to a stable structure by putting the strap through the hole in the machine body. In the horizontal position, attach the strap to the carrying handle. Make sure that the strap is tight and not twisted. If the machine comes loose from the workpiece and hangs on the strap, replace the strap. Do not put the strap into the buckle from the front.

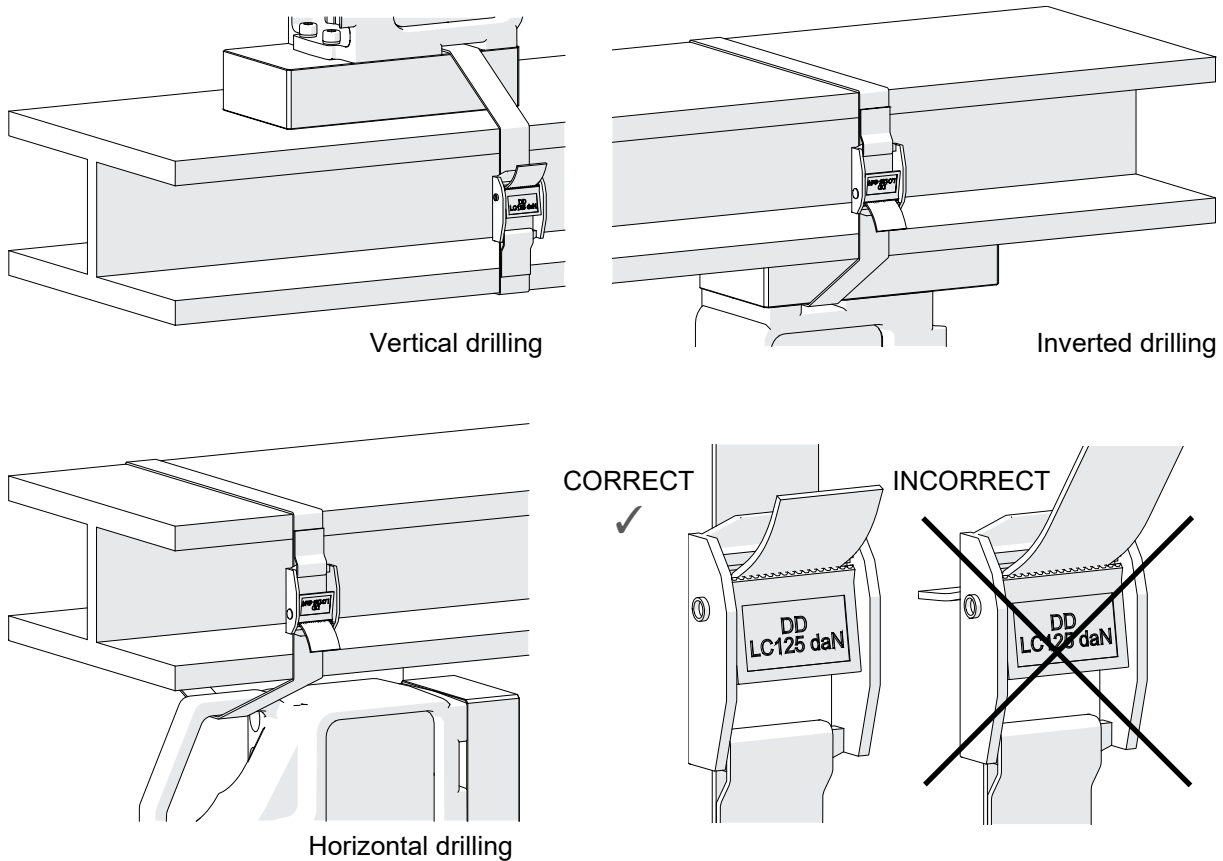


Fig. 3. Securing the machine from falling with the safety strap

Turn the handles to the left to put the cutter above the workpiece.

For vertical drilling, fill the cooling system bottle with coolant. Do not use only water as the coolant. But you can mix water and drilling oil. Then, make sure that the cooling system works correctly. To do this, lightly loosen the bottle cap and use the lever to open the bottle valve. Then, turn the handles to the left to apply a light pressure on the pilot pin. The coolant should fill the system and start flowing from the cutter.

The cooling system works by gravity. Thus, in the inverted or horizontal position, use coolants under pressure or in the form of spray or paste. Do not allow coolant to run into the motor.

4.4. Drilling

Press the green Motor START button to start the motor. Turn the handles to the left to put the cutter into the workpiece.



When the cutter goes through the workpiece, the slug core is pushed out with a large force.

Drill only through holes. For incomplete through holes do not use the pilot pin.

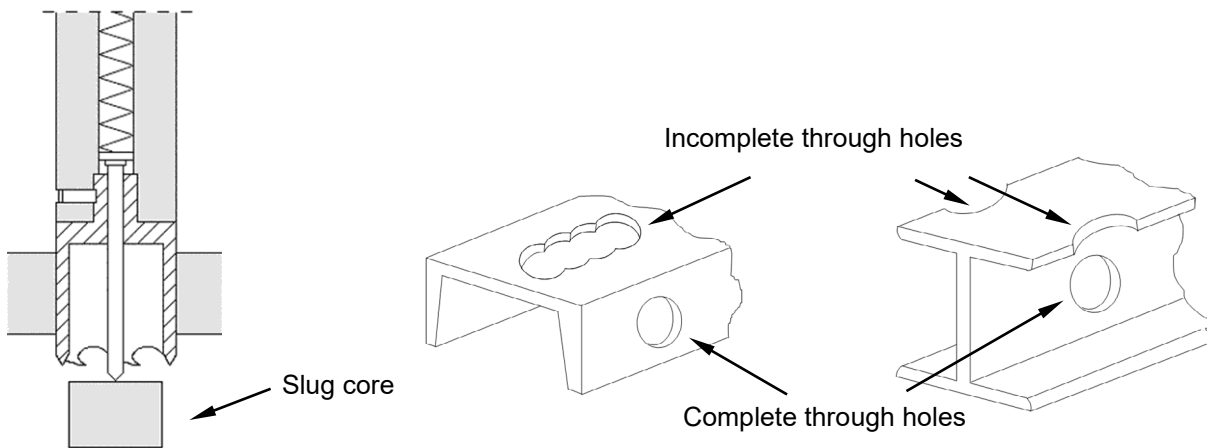


Fig. 4. Pushing out the slug core

Fig. 5. Types of holes which annual cutters can drill

Keep the machine in the same position until the hole is made.

After you get to the depth of 40 mm (1.6"), remove the cutter from the workpiece as often as possible. Then, manually apply the coolant from the bottle into the drilling area.

After drilling the hole, remove the cutter from the workpiece. Then, press the red Motor STOP button to turn off the motor. Before you move the machine, set the MAGNET switch to 'O' to turn off the base.

After use, turn off the motor and the base, and then unplug the power cord. Clean the machine and the cutter, and then remove the machine from the work area.

Tighten the bottle cap, close the valve, and then press the pilot pin to remove the coolant that remains in the cooling system. Use gloves to remove the cutter and the pilot pin from the arbor, and then put the machine into the box.

4.5. Replacing the brushes

At intervals of 100 work hours, check the condition of the brushes. To do this, unplug the power cord and remove the cover (1). Next, remove the pressing plate (2), and then remove the brush holder (3) and the brush (4). If the brush is shorter than 5 mm (0.2"), replace the two brushes with new ones.

Install in reverse sequence. Then, let the motor operate with no load for 20 minutes.



All electrical work, including replacing brushes, must be made by a qualified and licensed electrician.

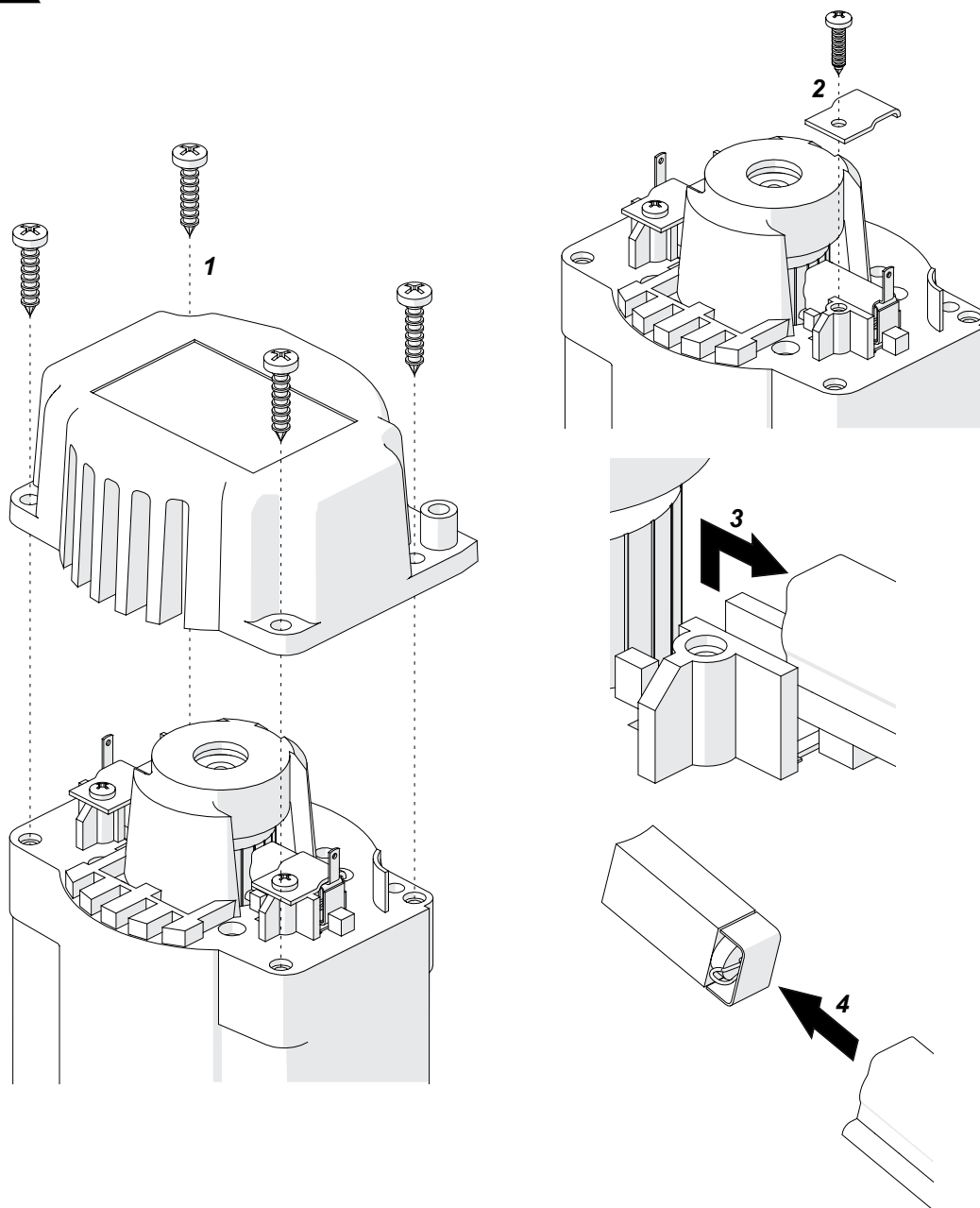
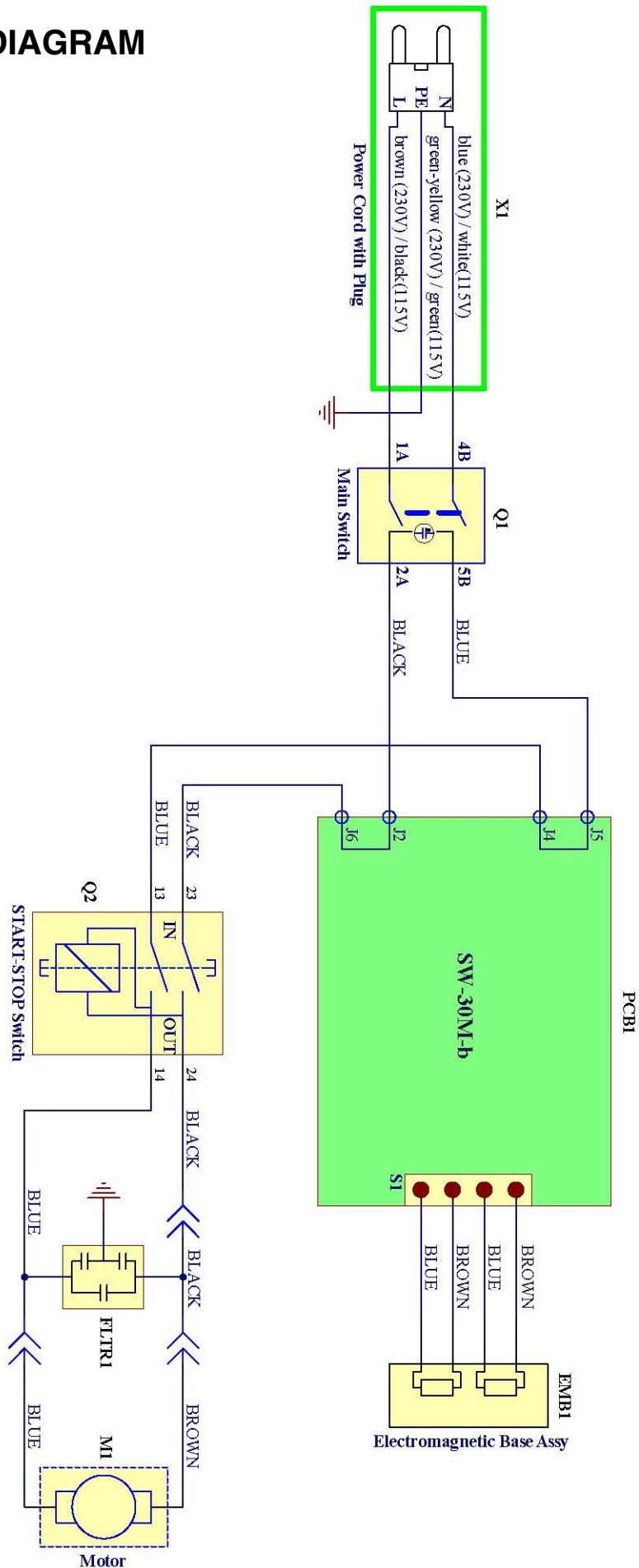
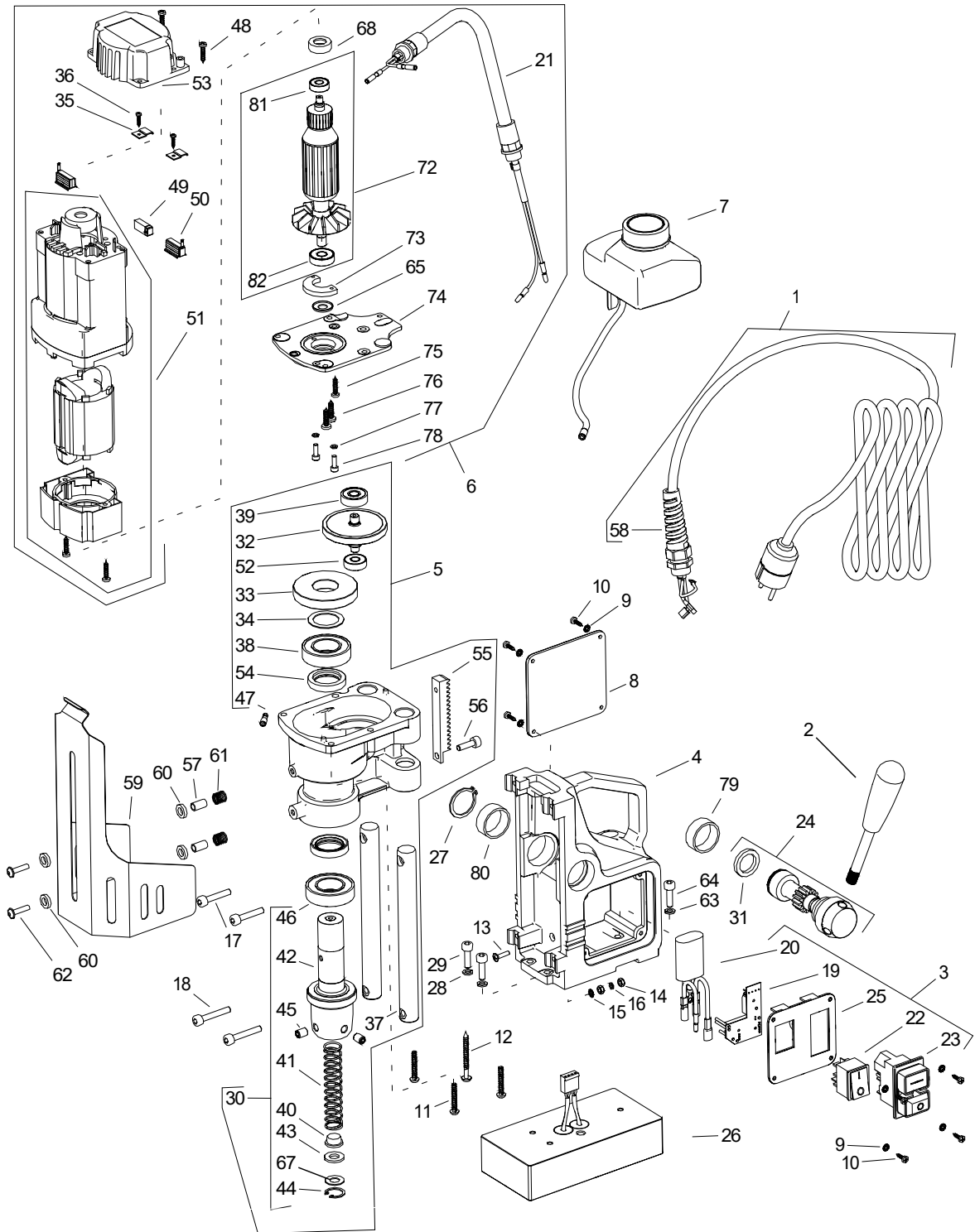


Fig. 6. Replacing the brushes

5. WIRING DIAGRAM



6. PARTS BREAKDOWN

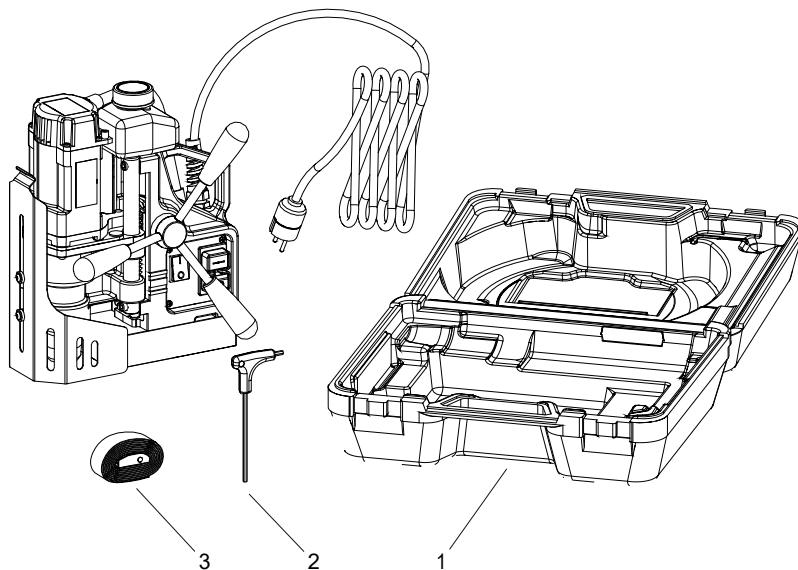


ITEM	PART NUMBER	DESCRIPTION	Q-TY
1	SZN-0212-10-02-00-1	POWER CORD 230V 3x1 WITH STRAIN RELIEF ASSY (AU)	1
2	SPPRO3508	SPOKE HANDLE WITH KNOB ASSY	3
3	SPPRO3506V4	CONTROL PANEL ASSY - 230V	1
4	KRP-0440-01-01-00-3	BODY ASSY	1
5	RDK-0440-02-00-00-3	GEARBOX ASSY	1
6	SLN-0440-03-00-00-5	MOTOR ASSY - 230V	1
7	SPPRO3505	COOLANT BOTTLE ASSY	1
8	SCN-0440-07-00-00-0	BODY COVER	1
9	PDK-000161	EXTERNAL TOOTH LOCK WASHER 3.7	8
10	WKR-000415	CROSS RECESSED PAN HEAD SELF-TAPPING SCREW 3.5x13	8
11	SPHM3020	SELF-TAPPING SCREW 5x30	3
12	WKR-000237	SELF-TAPPING SCREW 5x50	1
13	WKR-000112	CROSS RECESSED OVAL COUNTERSUNK HEAD SCREW M4x16	1
14	NKR-000013	HEX NUT M4	2
15	PDK-000060	EXTERNAL TOOTH LOCK WASHER 4.3	1
16	PDK-000043	SPRING WASHER 4.1	1
17	SPPRO750232	HEX SOCKET HEAD CAP SCREW M6x30	2
18	SRB-000123	HEX SOCKET HEAD CAP SCREW M6x35	2
19*	STR-0257-04-03-00-6	ELECTRONIC CONTROLLER - 230V	1
20*	FLT-0257-04-12-00-0	INTERFERENCE ELIMINATOR	1
21	SPPRO350303	MOTOR CORD ASSY	1
22	SPHM300405	MAGNET SWITCH	1
23	SPHM707-3	START-STOP SWITCH – 230V	1
24	WLK-0271-01-02-00-1	PINION SHAFT ASSY	1
25	SPPRO350601	PANEL PLATE ASSY	1
26	PDS-0378-02-00-00-2	ELECTROMAGNETIC BASE	1
27	SPHM300108	EXTERNAL RETAINING RING 28z	1
28	PDK-000046	SPRING WASHER 6.1	2
29	SRB-000114	HEX SOCKET HEAD CAP SCREW M6x20	2
30*	SPPRO350202	SPINDLE ASSY	1
31	SPPRO350121	BRAKE RING 20x28x3,9	1
32	SPPRO35023	PINION SHAFT ASSY	1
33*	SPPRO35025	GEAR z52	1
34*	PDK-000264	DISTANCE RING	1
35	SPPRO350315	BRUSH HOLDER PRESSURE PLATE	2
36	WKR-000326	CROSS RECESSED COUNTERSUNK HEAD SHEET METAL SCREW 2.9x13	2
37	SPPRO350207	GUIDE	2
38*	LOZ-000047	BALL BEARING 25x47x12	1
39	LOZ-000072	BALL BEARING 9x26x8	1
40	SPPRO35020202	PLUNGER	1
41	SPHM3020203	SPRING	1
42*	KRP-0272-02-02-01-0	SPINDLE BODY	1
43	KZK-0279-02-01-06-2	RUBBER DISC	1
44	SPHM30020205	INTERNAL RETAINING RING 19w	1
45	WKR-000059	HEX SOCKET SET SCREW WITH FLAT POINT M8x10	2
46*	LOZ-000048	BALL BEARING 25x47x12	1
47	SPAD40-05-03	HOSE FITTING	1
48	WKR-000241	SELF-TAPPING SCREW 4x20	4
49	SPPRO350314	MOTOR BRUSH 6x9x17	2
50	SPPRO350313	BRUSH HOLDER	2
51	OBD-0440-99-03-00-1	MOTOR COVER WITH STATOR ASSY – 230V	1
52	LOZ-000053	BALL BEARING 8x22x7	1







Parts list PRO 35 v.4.04



ITEM	PART NUMBER	DESCRIPTION	Q-TY
53	SPPRO350312	MOTOR COVER	1
54*	SPHM30020105	SEAL 25x37x7	2
55	SPPRO350212	GEAR RACK	1
56	SRB-000111	HEX SOCKET HEAD CAP SCREW M6x18	1
57	SPPRO3509	BOTTOM SLEEVE	2
58	SPPRO350704	CABLE GLAND WITH STRAIN RELIEF PG11	1
59	SPPRO3504	CHIP GUARD ASSY (BLUE)	1
60	SPPRO3511	NYLON WASHER 8.1x14x3	4
61	SPPRO3510	PUSH SPRING	2
62	SPPRO3512	HEX SOCKET ROUND HEAD SCREW WITH FLANGE M5x20	2
63	PDK-000176	EXTERNAL TOOTH LOCK WASHER 6.3	1
64	SRB-000113	HEX SOCKET HEAD CAP SCREW M6x20	1
65	PDK-0279-02-01-06-1	STEEL WASHER	1
67	PDK-0279-02-01-06-1	STEEL WASHER	1
68	SPPRO350318	BEARING INSERT 19x7.5	1
72	SPPRO35039	ROTOR - 220V	1
73	SPPRO36AD13	GEARBOX COVER RING	1
74	PKR-0440-03-03-00-1	GEARBOX COVER	1
75	SPHM300304	CROSS RECESSED PAN HEAD TAPPING SCREW	1
76	WKR-000301	CROSS RECESSED PAN HEAD SELF-TAPPING SCREW 5x14	2
77	PDK-000042	SPRING WASHER 4.1	2
78	SRB-000062	HEX SOCKET HEAD CAP SCREW M4x12	2
79	SPPRO35012A	SLIDE BUSHING WITH BEVEL 28x32x12	1
80	TLJ-000034	SLIDE BUSHING 28x32x12	1
81	LOZ-000210	BALL BEARING 7x16x6	1
82	LOZ-000209	BALL BEARING 9x24x7	1
-	SMR-000001	GREASE	0.055kg
-*	PWD-271-04-06-00-0	CONNECTING CABLE	1



* - before you order read the service manual



ITEM	PART NUMBER	DESCRIPTION	Q-TY
1	SKR-000010	PLASTIC BOX	1
2	KLC-000036	4 MM HEX WRENCH WITH HANDLE	1
3	SPPRO35A03	SAFETY STRAP 250	1

Cutter Type	Features	Diameter Available	Cut Depth Available	Applications
Silver Series Metric 	<ul style="list-style-type: none"> • M2AL High speed steel • Universal shank • Multi-cut geometry • Step hardened 	<ul style="list-style-type: none"> • 12 to 65mm Metric 	<ul style="list-style-type: none"> • 25mm & 50mm 	<ul style="list-style-type: none"> • General purpose
Silver Series Imperial 	<ul style="list-style-type: none"> • M2SL High speed steel • Multi-cut geometry • Step hardened 	<ul style="list-style-type: none"> • 7/16" to 2-1/4" Imperial 	<ul style="list-style-type: none"> • 1" & 2" 	<ul style="list-style-type: none"> • General purpose
Gold Series Metric 	<ul style="list-style-type: none"> • M2AL High speed steel • Titanium nitride coated • Universal shank • Multi-cut geometry • Step hardened 	<ul style="list-style-type: none"> • 12 to 60mm Metric 	<ul style="list-style-type: none"> • 25mm, 50mm & 75mm 	<ul style="list-style-type: none"> • General purpose
Pro-Cut 	<ul style="list-style-type: none"> • ASP Powder steel • Multi-cut geometry • Incredible performance 	<ul style="list-style-type: none"> • 12 to 22mm Metric 	<ul style="list-style-type: none"> • 25mm & 50mm 	<ul style="list-style-type: none"> • Rail line • Hard materials • Stainless steel • Wear plate
Maxi-Cut 	<ul style="list-style-type: none"> • Tungsten carbide tipped • Increased resistance to breakage • Multi-cut geometry 	<ul style="list-style-type: none"> • 12 to 200mm Metric • 5/8" to 2-1/2" Imperial 	<ul style="list-style-type: none"> • 35mm, 50mm, 75mm, 100mm, 150mm & 200mm 	<ul style="list-style-type: none"> • Large diameters • Stainless steel • Hard materials • Wear plate
Maxi-Rail 	<ul style="list-style-type: none"> • Tungsten carbide tipped • Increased resistance to breakage • Multi-cut geometry 	<ul style="list-style-type: none"> • 18 to 35mm Metric 	<ul style="list-style-type: none"> • 25mm 	<ul style="list-style-type: none"> • Rail line • Hard materials • Wear plate

Countersink Type	Size	Angle
Cross Hole Countersinks 	<ul style="list-style-type: none"> • 2 - 5mm to 20 - 25mm 	<ul style="list-style-type: none"> • 90°
Three Flute Countersinks 	<ul style="list-style-type: none"> • 3 - 6.4mm to 3 - 40mm 	<ul style="list-style-type: none"> • 90°

Twist Drill Type	Features	Diameter Available	Cut Depth Available
Weldon Shank Twist Drills Single Piece Type 	<ul style="list-style-type: none"> • 3/4" Weldon Shank 	<ul style="list-style-type: none"> • 6mm to 18mm Metric • 1/4" to 1/2" imperial 	<ul style="list-style-type: none"> • 30mm
Weldon Shank Twist Drills 2-Piece Type 	<ul style="list-style-type: none"> • 2-Piece kit including flatted shank drill and 3/4" Weldon shank twist drill adaptors 	<ul style="list-style-type: none"> • 8mm to 12mm 	

