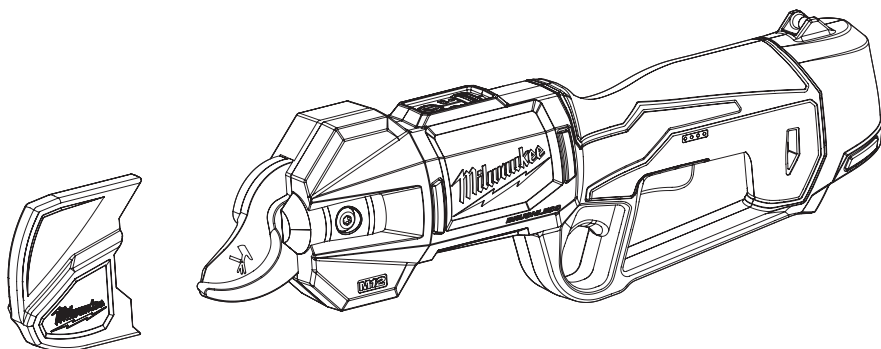





OPERATOR'S MANUAL



Cat. No.
M12 BLPSH

M12™ BRUSHLESS PRUNING SHEARS

 **WARNING**

 To reduce the risk of injury, user must read and understand operator's manual.

GENERAL POWER TOOL SAFETY WARNINGS

⚠WARNING Read all safety warnings, instructions, illustrations and specifications provided with this power tool. Failure to follow all instructions listed below may result in electric shock, fire and/or serious injury. **Save all warnings and instructions for future reference.** The term "power tool" in the warnings refers to your mains-operated (corded) power tool or battery-operated (cordless) power tool.

WORK AREA SAFETY

- **Keep work area clean and well lit.** Cluttered or dark areas invite accidents.
- **Do not operate power tools in explosive atmospheres, such as in the presence of flammable liquids, gases or dust.** Power tools create sparks which may ignite the dust or fumes.
- **Keep children and bystanders away while operating a power tool.** Distractions can cause you to lose control.

ELECTRICAL SAFETY

- **Power tool plugs must match the outlet. Never modify the plug in any way. Do not use any adapter plugs with earthed (grounded) power tools.** Unmodified plugs and matching outlets will reduce risk of electric shock.
- **Avoid body contact with earthed or grounded surfaces, such as pipes, radiators, ranges and refrigerators.** There is an increased risk of electric shock if your body is earthed or grounded.
- **Do not expose power tools to rain or wet conditions.** Water entering a power tool will increase the risk of electric shock.
- **Do not abuse the cord. Never use the cord for carrying, pulling or unplugging the power tool. Keep cord away from heat, oil, sharp edges or moving parts.** Damaged or entangled cords increase the risk of electric shock.
- **When operating a power tool outdoors, use an extension cord suitable for outdoor use.** Use of a cord suitable for outdoor use reduces the risk of electric shock.
- **If operating a power tool in a damp location is unavoidable, use a residual current device (RCD) protected supply.** Use of a RCD reduces the risk of electric shock.

PERSONAL SAFETY

- **Stay alert, watch what you are doing and use common sense when operating a power tool. Do not use a power tool while you are tired or under the influence of drugs, alcohol or medication.** A moment of inattention while operating power tools may result in serious personal injury.
- **Use personal protective equipment. Always wear eye protection.** Protective equipment such as a dust mask, non-skid safety shoes, hard hat or hearing protection used for appropriate conditions will reduce personal injuries.
- **Prevent unintentional starting. Ensure the switch is in the off-position before connecting to power source and/or battery pack, picking up or carrying the tool.** Carrying power tools with your finger on the switch or energising power tools that have the switch on invites accidents.
- **Remove any adjusting key or wrench before turning the power tool on.** A wrench or a key left attached to a rotating part of the power tool may result in personal injury.

- **Do not overreach. Keep proper footing and balance at all times.** This enables better control of the power tool in unexpected situations.
- **Dress properly. Do not wear loose clothing or jewellery. Keep your hair and clothing away from moving parts.** Loose clothes, jewellery or long hair can be caught in moving parts.
- **If devices are provided for the connection of dust extraction and collection facilities, ensure these are connected and properly used.** Use of dust collection can reduce dust-related hazards.
- **Do not let familiarity gained from frequent use of tools allow you to become complacent and ignore tool safety principles.** A careless action can cause severe injury within a fraction of a second.

POWER TOOL USE AND CARE

- **Do not force the power tool. Use the correct power tool for your application.** The correct power tool will do the job better and safer at the rate for which it was designed.
- **Do not use the power tool if the switch does not turn it on and off.** Any power tool that cannot be controlled with the switch is dangerous and must be repaired.
- **Disconnect the plug from the power source and/or remove the battery pack, if detachable, from the power tool before making any adjustments, changing accessories, or storing power tools.** Such preventive safety measures reduce the risk of starting the power tool accidentally.
- **Store idle power tools out of the reach of children and do not allow persons unfamiliar with the power tool or these instructions to operate the power tool.** Power tools are dangerous in the hands of untrained users.
- **Maintain power tools and accessories. Check for misalignment or binding of moving parts, breakage of parts and any other condition that may affect the power tool's operation. If damaged, have the power tool repaired before use.** Many accidents are caused by poorly maintained power tools.
- **Keep cutting tools sharp and clean.** Properly maintained cutting tools with sharp cutting edges are less likely to bind and are easier to control.
- **Use the power tool, accessories and tool bits etc. in accordance with these instructions, taking into account the working conditions and the work to be performed.** Use of the power tool for operations different from those intended could result in a hazardous situation.
- **Keep handles and grasping surfaces dry, clean and free from oil and grease.** Slippery handles and grasping surfaces do not allow for safe handling and control of the tool in unexpected situations.

BATTERY TOOL USE AND CARE

- **Recharge only with the charger specified by the manufacturer.** A charger that is suitable for one type of battery pack may create a risk of fire when used with another battery pack.
- **Use power tools only with specifically designated battery packs.** Use of any other battery packs may create a risk of injury and fire.
- **When battery pack is not in use, keep it away from other metal objects, like paper clips, coins, keys, nails, screws or other small metal objects, that can make a connection from one terminal to another.** Shorting the battery terminals together may cause burns or a fire.

- **Under abusive conditions, liquid may be ejected from the battery; avoid contact. If contact accidentally occurs, flush with water. If liquid contacts eyes, additionally seek medical help.** Liquid ejected from the battery may cause irritation or burns.
- **Do not use a battery pack or tool that is damaged or modified.** Damaged or modified batteries may exhibit unpredictable behaviour resulting in fire, explosion or risk of injury.
- **Do not expose a battery pack or tool to fire or excessive temperature.** Exposure to fire or temperature above 130°C (265°F) may cause explosion.
- **Follow all charging instructions and do not charge the battery pack or tool outside the temperature range specified in the instructions.** Charging improperly or at temperatures outside the specified range may damage the battery and increase the risk of fire.

SERVICE

- **Have your power tool serviced by a qualified repair person using only identical replacement parts.** This will ensure that the safety of the power tool is maintained.
- **Never service damaged battery packs.** Service of battery packs should only be performed by the manufacturer or authorised service providers.

SPECIFIC SAFETY RULES FOR PRUNING SHEARS

- **WARNING** Blade is sharp. Keep hands away from all cutting edges and moving parts. Laceration and amputation can occur.
- **Keep hands and loose clothing away from all cutting edges and moving parts.**
- **To reduce the risk of injury, always wear proper eye protection marked to comply with AS/NZS 1337.1.**
- **Hold the power tool by insulated gripping surfaces only, when performing an operation where the cutting tool may contact hidden wiring.** Contact with a "live" wire will also make exposed metal parts of the power tool "live" and could give the operator an electric shock.
- **To reduce the risk of injury, always close and cover blade before storing and any time the shears are not in use.**
- **To reduce the risk of injury, replace dull, chipped, or damaged blades.**
- **To reduce the risk of explosion, electric shock, and property damage, never cut gas lines, electrical lines, or water lines.**
- **To reduce the risk of electric shock, check work area for hidden pipes and wires before pruning.**
- **Do not expose pruning shears to rain or wet conditions.** Water entering the pruning shears will increase the risk of electric shock.
- **In applications where it is necessary to support surrounding material (supporting a branch, moving leaves/denser debris out of the way):**
 - Keep free hand clear of the shears and out of the cutting path.
 - Maintain a firm grip on the branch being cut.
 - Do not cross arms or overreach.
 - Always cut away from yourself.
 - Avoid excess flexing or tension on the branch being cut.

- **Do not operate in a tree, on a ladder, rooftop, or scaffold unless properly trained.** To avoid death or serious injury, operator must be trained in safe climbing techniques and in the use of all appropriate safety equipment.
- **Cut only materials made from wood, no sheet metal, no plastics, no masonry, and no non-wood building materials.**
- **Never cut any plant material with a diameter larger than 30 mm.** The tool may stall.
- **Do not use any attachments or accessories not recommended by the manufacturer.** The use of attachments or accessories not recommended can result in serious personal injury.

WARNING To reduce the risk of injury, when working in dusty situations, wear appropriate respiratory protection or use a suitable dust extraction solution.

- **Always use common sense and be cautious when using tools.** It is not possible to anticipate every situation that could result in a dangerous outcome. Do not use this tool if you do not understand these operating instructions or you feel the work is beyond your capability; contact MILWAUKEE® Tool or a trained professional for additional information or training.
- **Maintain labels and nameplates. These carry important information.** If unreadable or missing, contact a MILWAUKEE® service facility for a replacement.

WARNING Some dust created by power sanding, sawing, grinding, drilling, and other construction activities contains chemicals known to cause cancer, birth defects or other reproductive harm. Some examples of these chemicals are:

- lead from lead-based paint
- crystalline silica from bricks and cement and other masonry products, and
- arsenic and chromium from chemically-treated lumber.

Your risk from these exposures varies, depending on how often you do this type of work. To reduce your exposure to these chemicals: work in a well ventilated area, and work with approved safety equipment, such as those dust masks that are specially designed to filter out microscopic particles.

ADDITIONAL BATTERY SAFETY RULES

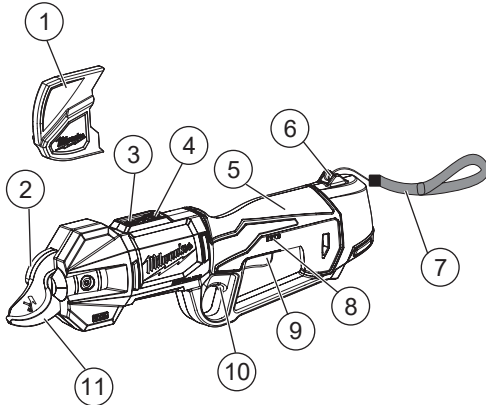
WARNING To reduce the risk of fire, personal injury, and product damage due to a short circuit, never immerse your tool, battery pack or charger in fluid or allow a fluid to flow inside them. Corrosive or conductive fluids, such as seawater, certain industrial chemicals, and bleach or bleach-containing products, etc., can cause a short circuit.

WARNING Do not charge non-rechargeable batteries.

SPECIFICATIONS

Cat. No.	M12 BLPSH
Volts.....	12V DC
Battery Type	M12™
Charger Type.....	M12™
Maximum Capacity	30 mm
Replacement Blade Cat. No.	48442769
Recommended Ambient Operating Temperature.....	-17°C to 51°C (0°F to 125°F)

FUNCTIONAL DESCRIPTION



- 1. Blade cover
- 2. Cutting blade
- 3. Power button
- 4. Mode select button
- 5. Handle
- 6. Wrist strap attachment
- 7. Wrist strap
- 8. Fuel gauge
- 9. Lock-off button
- 10. Trigger
- 11. Support blade

SYMBOLOLOGY



Volts



Direct Current



WARNING Keep hands away from all cutting edges and moving parts. Blade is sharp. Laceration and amputation can occur.



Read Operator's Manual



Power button



Mode button



Full Capacity



Half Capacity



Regulatory Compliance Mark (RCM). This product meets applicable regulatory requirements.



Do not dispose of electric tools together with household waste material. Electric tools and electronic equipment that have reached the end of their life must be collected separately and returned to an environmentally compatible recycling facility.

ASSEMBLY

WARNING Recharge only with the charger specified for the battery. For specific charging instructions, read the operator's manual supplied with your charger and battery.

Inserting/ Removing the Battery

To insert the battery, slide the pack into the body of the tool. Make sure it latches securely into place.

WARNING Only use accessories specifically recommended for this tool. Others may be hazardous.

To remove the battery, push in the release buttons and pull the battery pack away from the tool.

WARNING Always close the blades and remove the battery pack any time the tool is not in use.

Always remove battery pack before changing or removing accessories specifically recommended for this tool.

Removing/Installing the Cutting Blade

Replace the blade when it becomes dull or chipped. A blade is dull when the blade edge appears rounded or damaged.

Use only MILWAUKEE® blade Cat. No. 48442769.

WARNING Blade is sharp. Keep hands away from cutting edge. Laceration can occur.

1. Close the blades. The cutting edge of the blade should be covered by the support blade.

2. Remove the battery pack.

3. To remove, use a 5 mm hex wrench to unfasten the screws holding the cutting blade.

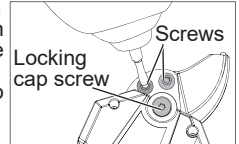
4. Remove the locking cap screw.

5. Pull blade out of slot.

6. To install, push blade into slot lining up the holes.

7. Replace and tighten screws to secure blade in place.

NOTE: Threadlocker is pre-applied to the new locking cap screw. For best results, after installation of a new locking cap screw allow 24 hours for the threadlocker to cure before using the tool.



OPERATION

WARNING To reduce the risk of injury, always wear proper eye protection marked to comply with AS/NZS 1337.1.

Always remove battery pack before changing or removing accessories specifically recommended for this tool. Others may be hazardous.

To reduce the risk of explosion, electric shock, and property damage, never cut gas lines, electrical lines, or water lines.

To reduce the risk of injury, always move blades to the fully closed position before storing and any time the shears are not in use.

Do not cut short pieces of plant material that put fingers near cutting and support blades.

Do not overreach. Keep proper footing and balance at all times.

Blade is sharp. Keep hands away from all cutting edges. Laceration and amputation can occur.

In applications where it is necessary to support surrounding material (supporting a branch, moving leaves/denser debris out of the way):

- Keep free hand clear of the shears and out of the cutting path.
- Maintain a firm grip on the branch being cut.
- Do not cross arms or overreach.
- Always cut away from yourself.
- Avoid excess flexing or tension on the branch being cut.

Fuel Gauge

To determine the amount of charge left in the battery, turn the tool **ON**. The Fuel Gauge will light up for 2-3 seconds when the lock-off trigger is engaged and the trigger is lightly pressed. When less than 10% of charge is left, 1 light on the fuel gauge will flash 4 times.

To signal the end of charge, 1 light on the fuel gauge will flash 8 times and the tool will not run. Charge the battery pack.

If the battery becomes too hot, the fuel gauge lights will flash and the tool will not run. Allow the battery to cool down.

Using the Cutting Modes

Full Capacity e- mode opens the blades all the way for larger diameter pruning.

Half Capacity e- mode opens the blades partially for smaller, more repetitive cuts.

With the tool **ON** push the mode select button to toggle between the modes. If the blades are closed, they will assume the highlighted **MODE** position when the trigger is next pulled.

General Operation

1. To turn the tool on, press the power button.
2. Press the mode select button to select the correct application for pruning. If changing modes, hold the lock-off button, push then release the trigger to activate the desired mode.
3. Place material between the cutting blade and support blade.
4. Hold the lock-off button and push the trigger to make the cut. The blades will remain closed until the trigger is released.

NOTE: The jaws cannot be left in a partially open state. Once the trigger has been released the jaws will automatically return to the open state of the selected mode.

5. To close the blades, push the lock-off button, then press the trigger. While holding the trigger turn the power off.

NOTE: After a period of inactivity, the tool will automatically turn off.

6. To turn the tool off, push the power button.
NOTE: After turning on, the pruning shears will go back into the same mode as before turning the tool off.

7. Place blade cover on tool.
Always close the blades and remove the battery pack any time the tool is not in use.

Transporting Pruning Shears

Before transporting, always close the blades and remove the battery pack. Place blade cover on tool.

Storage

Close the blades and remove the battery pack. Clean debris and place blade cover on tool. Store in a dry, cool place.

APPLICATIONS

⚠WARNING To reduce the risk of electric shock, check work area for hidden pipes and wires before pruning.

If the limbs to be pruned are above shoulder height, hire a professional to perform the pruning. Failure to do so could result in serious personal injury.

Pruning

Pruning shears are intended to be used on trees, bushes, and plant branches 30 mm or less in diameter.

Work Area Precautions

- Cut only materials made from wood.
- Do not cut sheet metal, plastics, masonry, and non-wood building materials.
- Never allow children to operate the shears. Do not allow any person to use these pruning shears who has not read this operator's manual or received adequate instructions for the safe and proper use of these pruning shears.
- Always cut with both feet on a solid surface to prevent being pulled off balance.
- Do not cut from a ladder, this is extremely dangerous. Leave this operation for professionals.
- Do not cross arms or overreach.
- Always cut away from yourself.
- Do not prune near electrical wires or buildings. Leave this operation for professionals.
- Cut only when visibility and light are adequate for you to see clearly.
- Check the work area for hazards such as bees, rodents, snakes, etc., that may live in trees or brush.

MAINTENANCE

⚠WARNING To reduce the risk of injury, always unplug the charger and remove the battery pack from the charger or tool before performing any maintenance. Never disassemble the tool, battery pack or charger. Contact a **MILWAUKEE**® service facility for **ALL** repairs.

Maintaining Tool

Keep your tool, battery pack and charger in good repair by adopting a regular maintenance program. Inspect your tool for issues such as undue noise, misalignment or binding of moving parts, breakage of parts, or any other condition that may affect the tool operation. Return the tool, battery pack, and charger to a **MILWAUKEE**® service facility for repair. After six months to one year, depending on use, return the tool, battery pack and charger to a **MILWAUKEE**® service facility for inspection.

If the tool does not start or operate at full power with a fully charged battery pack, clean the contacts on the battery pack. If the tool still does not work properly, return the tool, charger and battery pack, to a **MILWAUKEE**® service facility for repairs.

Sharpening the Cutting Blade

⚠WARNING Failure to replace or repair a damaged blade can cause serious

injury.

Blade is sharp. Keep hands away from all cutting edges. Laceration and amputation can occur.

1. Remove battery pack.
2. Wear gloves for protection.
3. Use a fine tooth file.
4. Keep the file level with the blade. Do not let the file dip or rock.
5. Using light but firm pressure, stroke towards the angle of the cutting edge of the blade.
6. Lift file away from the steel on each return stroke.
7. Remove any burrs.

Cleaning

Clean dust and debris from vents. Keep handles clean, dry and free of oil or grease. Use only mild soap and a damp cloth to clean, since certain cleaning agents and solvents are harmful to plastics and other insulated parts. Some of these include petrol, turpentine, lacquer thinner, paint thinner, chlorinated cleaning solvents, ammonia and household detergents containing ammonia. Never use flammable or combustible solvents around tools.

Repairs

For repairs, return the tool, battery pack and charger to the nearest service centre.

ACCESSORIES

⚠WARNING Use only recommended accessories. Others may be hazardous.

For a complete listing of accessories, go online to milwaukeeetool.com.au / milwaukeeetool.co.nz or contact a distributor.

WARRANTY - AUSTRALIA and NEW ZEALAND

Please refer to Australian and New Zealand warranty supplied with tool. This warranty applies only to product sold by authorised dealers in Australia and New Zealand.

SERVICE - AUSTRALIA and NEW ZEALAND

MILWAUKEE® prides itself in producing a premium quality product that is Nothing But Heavy Duty™. Your satisfaction with our products is very important to us! If you encounter any problems with the operation of this tool, please contact your authorised **MILWAUKEE®** dealer.

For a list of **MILWAUKEE®** dealers, guarantee or service agents please contact **MILWAUKEE®** Customer Service or visit our website.

(Australia Toll Free Telephone Number 1300 645 928)

(New Zealand Toll Free Telephone Number 0800 645 928)

or visit milwaukeetool.com.au/milwaukeetool.co.nz.

Milwaukee Electric Tool Corporation

13135 West Lisbon Road, Brookfield, Wisconsin U.S.A. 53005

Milwaukee Tool (Australia)

26 - 40 Nina Link, Dandenong South,
Victoria, 3175, Australia

Milwaukee Tool (New Zealand)

274 Church Street, Penrose,
Auckland, 1061, New Zealand

DESIGNED BY MILWAUKEE ELECTRIC TOOL CORP.
PROFESSIONALLY MADE IN CHINA
PRINTED IN CHINA