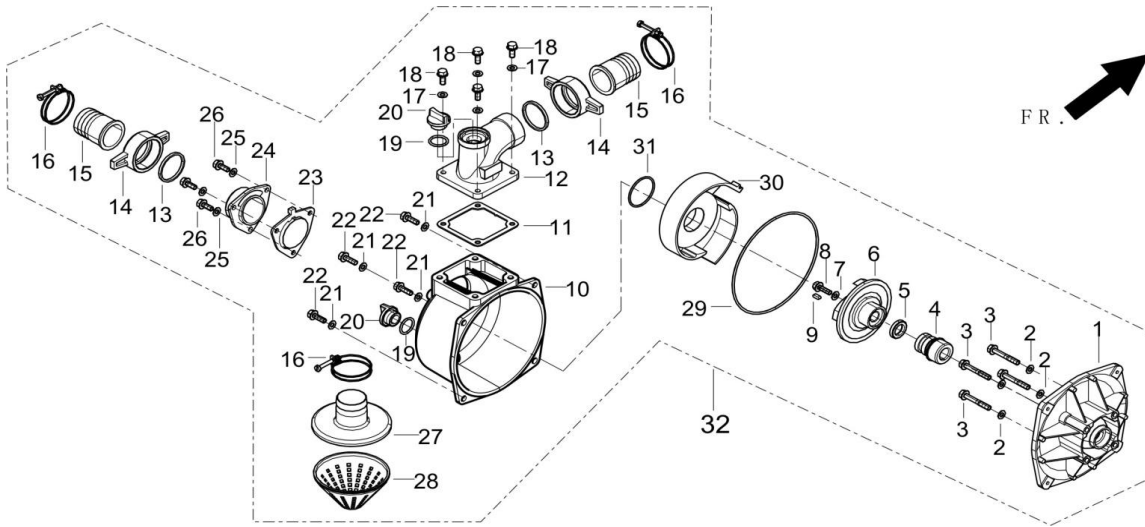


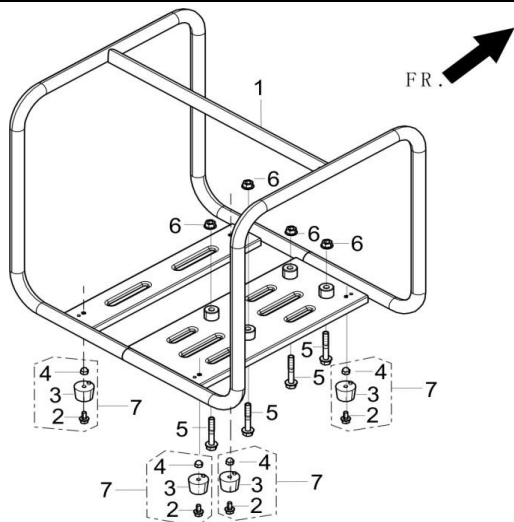
WP-2070S WATER PUMP

FIG.15 PUMP ASSY, WATER, 2" (E15)



REF.NO.	PART NO	DESCRIPTION	SPECIFICATION	QTY	PART #
E15.1	70118-V010110-0000	JOINT, WATER PUMP		1	
E15.2	90408-V010110-0000	WASHER		4	
E15.3	90007-0855-01	BOLT		4	
E15.4	70300-V010110-0000	SEAL ASSY, MECHANISM		1	50.002.202
E15.5	70309-V010110-0000	SEAL,PORCELAIN		1	50.002.202
E15.6	70102-V010110-0000	IMPELLER, WATER PUMP		1	50.002.201
E15.7	90408-V010110-0000	WASHER		1	
E15.8	90005-0825-01	BOLT		1	
E15.9	90522-0515-00	KEY		1	
E15.10	70105-V010110-0000	PUMP BODY		1	85.571.134
E15.11	70109-V010110-0000	GASKET , OUTLET		1	50.002.202
E15.12	70108-V010110-0000	OUTLET , WATER		1	50.002.204BSP
E15.16	70400-V010110-0000	HOOP ASSY, HOSE		3	
E15.17	90408-0800-00	WASHER		4	
E15.18	90005-0820-01	BOLT		4	
E15.19	70122-V010110-0000	WASHER, SCREW PLUG		2	50.002.203
E15.20	70107-V010110-0000	PLUG, THREAD		2	50.002.203
E15.21	90408-0800-00	WASHER		4	
E15.22	90005-0825-01	BOLT		4	
E15.23	70115-V010110-0000	GASKET , INLET WATER		1	50.002.202
E15.24	70116-V010110-0000	INLET, WATER (4 BOLT)		1	50.002.204BSP
E15.25	90408-0800-00	WASHER		4	
E15.26	90005-0820-01	BOLT		4	
E15.29	70119-V010110-0000	CUSHION, WATER PUMP JOINT		1	50.002.202
E15.30	70103-V010110-0000	CASE, WHORL		1	85.571.135
E15.31	70104-V010110-0000	RIGN , WHORL CASE SEALING		1	50.002.202
E15.32	70100-V02011B-0000	PUMP ASSY, WATER		1	85.150.201BSP

FIG.16 FRAME ASSY, ENGINE(E16)



REF.NO.	PART NO	DESCRIPTION	SPECIFICATION	QTY	PART #
E16.1	51100-V010110-QC00	FRAME ASSY, ENGINE		1	85.150.201BSP
E16.2	90001-Y020110-0000	BOLT	M6×10	4	
E16.3	51014HY020110-0000	SEAT, ENGINE FRAME SHOCK			
		ABSORPTION		4	
E16.4	90314-0600-83	NUT, ACORN	M6	4	
E16.5	90001-0850-01	BOLT	M8×50	4	
E16.6	90305-0800-41	NUT	M8	4	
E16.7	51018-Y020110-0000	SEAT ASSY, ENGINE FRAME SHOCK ABSORPTION		4	50.002.205

PART #

85.150.201BSP complete 2" pump kit with frame in box (no engine)

50.002.201	70102-V010110-0000	IMPELLER, WATER PUMP	
-------------------	--------------------	----------------------	--

50.002.202	Seal set 2" waterpump consists of		QTY
E15.4	70300-V010110-0000	SEAL ASSY, MECHANISM	1
E15.5	70309-V010110-0000	SEAL,PORCELAIN	1
E15.11	70109-V010110-0000	GASKET , OUTLET	1
E15.23	70115-V010110-0000	GASKET , INLET WATER	1
E15.29	70119-V010110-0000	CUSHION, WATER PUMP JOINT	1
E15.31	70104-V010110-0000	RIGN , WHORL CASE SEALING	1

50.002.203	Plug set 2" and 3" waterpump consists of		QTY
E15.19	70122-V010110-0000	WASHER, SCREW PLUG	2
E15.20	70107-V010110-0000	PLUG, THREAD	2

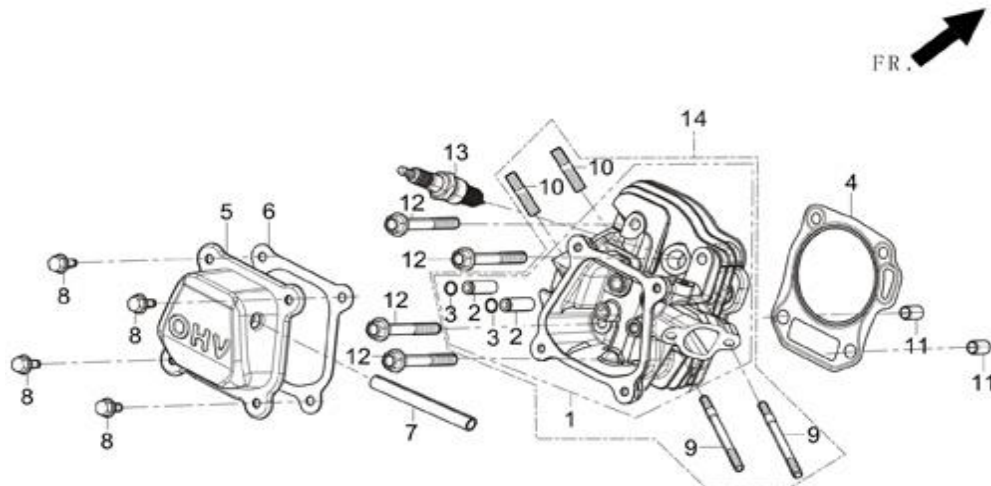
50.002.204BSP	Inlet outlet, 2" waterpump consists of		QTY
E15.24	70116-V010110-0000	INLET, WATER (4 BOLT)	1
E15.12	70108-V010110-0000	OUTLET , WATER	1

50.002.205	51018-Y020110-0000	SEAT ASSY. FRAME SHOCK ABSO	
-------------------	--------------------	-----------------------------	--

R210 GASOLINE ENGINE

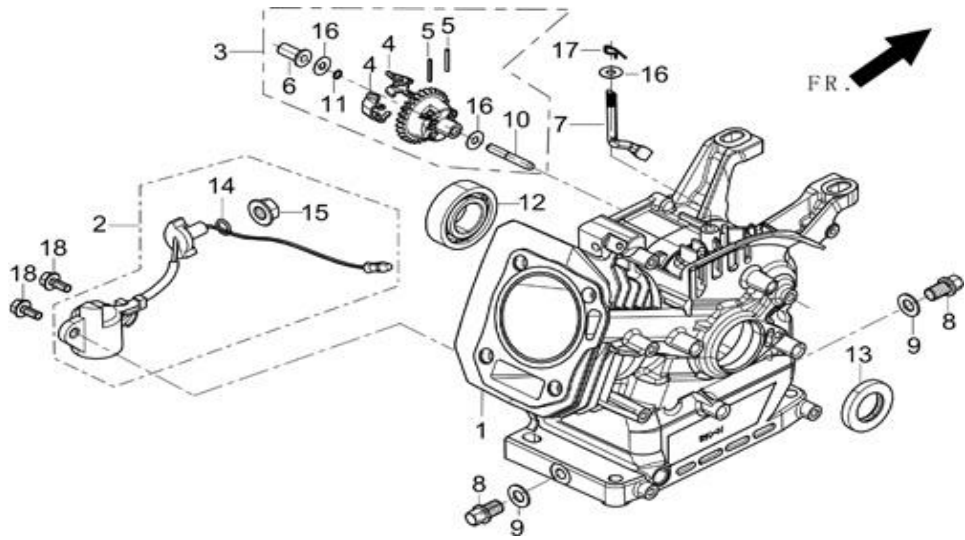
Z14-007-011

FIG.1 HEAD SUBASSEMBLY, CYLINDER / PLUG, SPARK (E04)



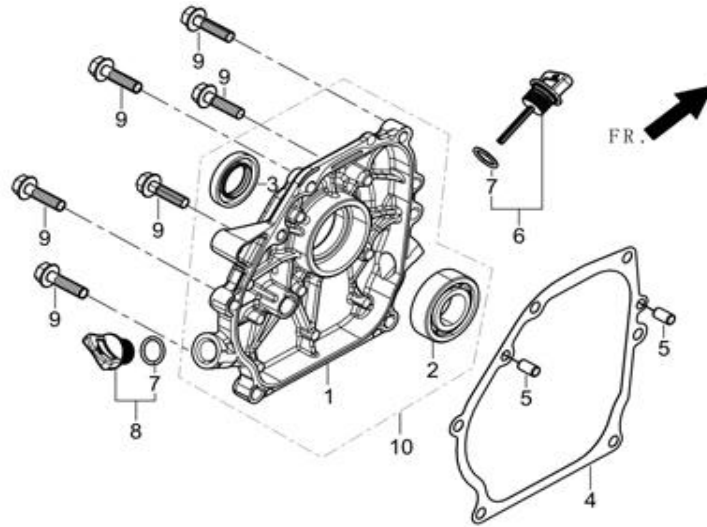
REF.NO	PART NO	DESCRIPTION	Q'TY	PART #
E04-1	12140-Z040110-0000	HEAD SUBASSEMBLY, CYLINDER	1	
E04-4	12131-Z140110-0000	GASKET, CYLINDER HEAD	1	85.571.001
E04-5	12410-Z010220-H300	COVER SUBASSEMBLY, CYLINDER HEAD(BLACK)	1	85.571.002
E04-6	12004-Z010110-0000	GASKET, CYLINDER HEAD COVER	1	
E04-7	17004-Z010210-0000	TUBE, BREATHER	1	
E04-8	90001-0612-03	BOLT	4	
E04-9	90204-Z010310-0000	STUD	2	
E04-10	90203-Z010110-0000	STUD	2	
E04-11	90502-1014-00	PIN	2	
E04-12	12003-Z010110-0000	BOLT, CYLINDER HEAD	4	
E04-13	30010-Z010210-0000	PLUG, SPARK	1	85.519.001

FIG.2 CRANKCASE. / GEAR ASSY, GOVERNOR.(E17)



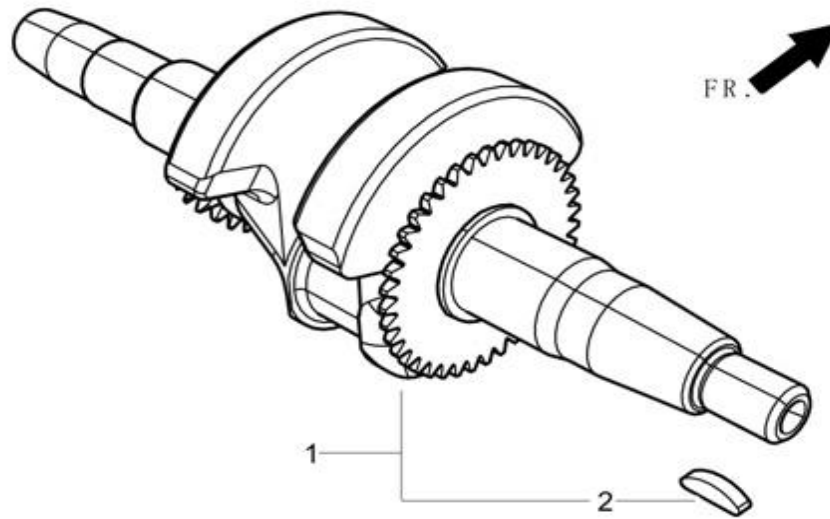
REF.NO	PART NO	DESCRIPTION	Q'TY	PART #
E17-1	11310-Z140310-0000	CRANKCASE SUBASSEMBLY.		
E17-2	37060-Z010110-0000	SENSOR, ENGINE OIL	1	85.571.003
E17-3	16400-Z010110-0000	GEAR ASSY, GOVERNOR	1	
E17-7	16061-Z010110-0000	ARM, GOVERNOR	1	
E17-8	11007-Z010110-0000	BOLT, DRAIN PLUG	2	
E17-9	90408-Z010110-0000	WASHER	2	
E17-12	90547-0205-00	BEARING 6205/P53	1	
E17-13	90682-Z010110-0000	SEAL, OIL	1	
E17-16	90408-Z010210-0000	WASHER, GOVERNOR GEAR	3	
E17-17	90501-Z010110-0000	PIN	1	
E17-18	90001-0614-01	BOLT	2	

FIG.3 COVER SUBASSEMBLY, CRANKCASE (E01)



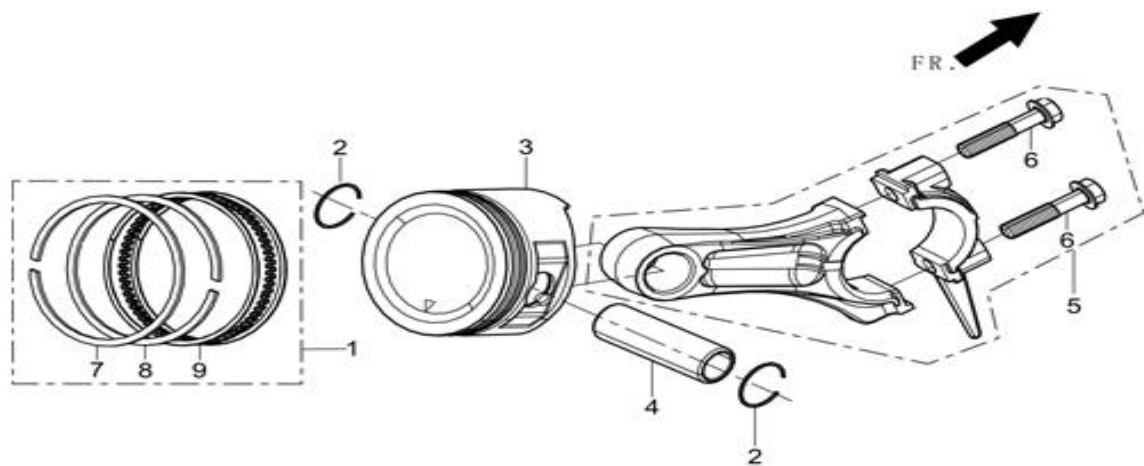
REF.NO	PART NO	DESCRIPTION	Q'TY	PART #
E01-1	11411-Z260110-0000	COVER ASSY, CRANKCASE	1	
E01-2	90547-0205-00	BEARING 6205/P53	1	
E01-3	90682-Z010110-0000	SEAL, OIL	1	85.571.004
E01-4	11001-Z010120-0000	GASKET, CRANKCASE	1	
E01-5	90502-0812-00	PIN	2	
E01-6	15010-Z010110-Q500	DIPSTICK SUBASSEMBLY, OIL(YELLOW)	1	85.571.005
E01-8	15030-Z010110-Q500	PLUG SUBASSEMBLY, ENGINE OIL(YELLOW)	1	
E01-9	90001-0832-01	BOLT	6	

FIG.4 ROD,CRANKSHAFT CONNETING (E03)



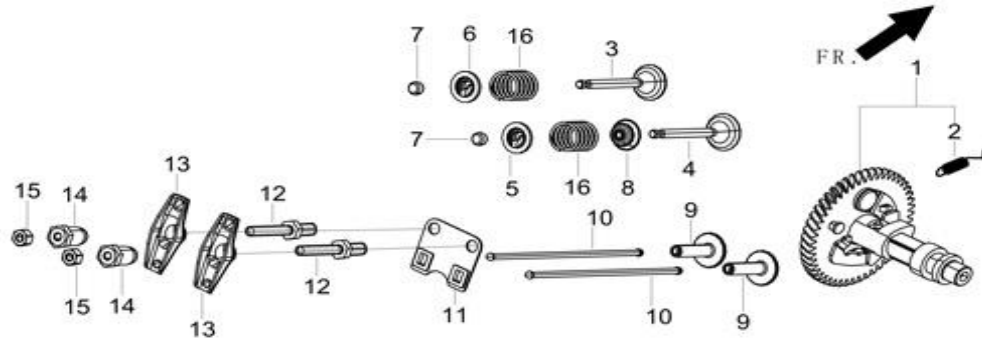
REF.NO	PART NO	DESCRIPTION	Q'TY	PART #
E03-1	13300-Z140330-0000	CRANKSHAFT ASSY.	1	

FIG.5 RING SET,OIL / ROD,CRANKSHAFT CONNETING (E03)



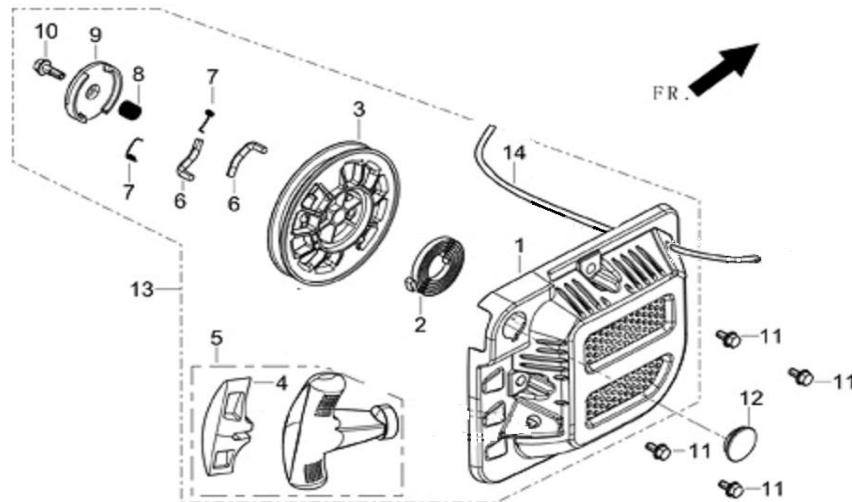
REF.NO	PART NO	DESCRIPTION	Q'TY	PART #
E03-2	13122-Z010110-0000	CLIP, PISTON PIN	2	
E03-3	13111-Z140110-0000	PISTON	1	
E03-4	13121-Z010110-0000	PIN, PISTON	1	
E03-5	13010-Z140110-0000	ROD, CONNECTING	1	
E03-7	13201-Z140110-0000	RING, THE FIRST	1	
E03-8	13202-Z140110-0000	RING, THE SECON	1	
E03-9	13210-Z140110-0000	RING SET, OIL	1	

FIG.6 TRAIN,VALVE / CAMSHAFT SUBASSEMBLY (E05)



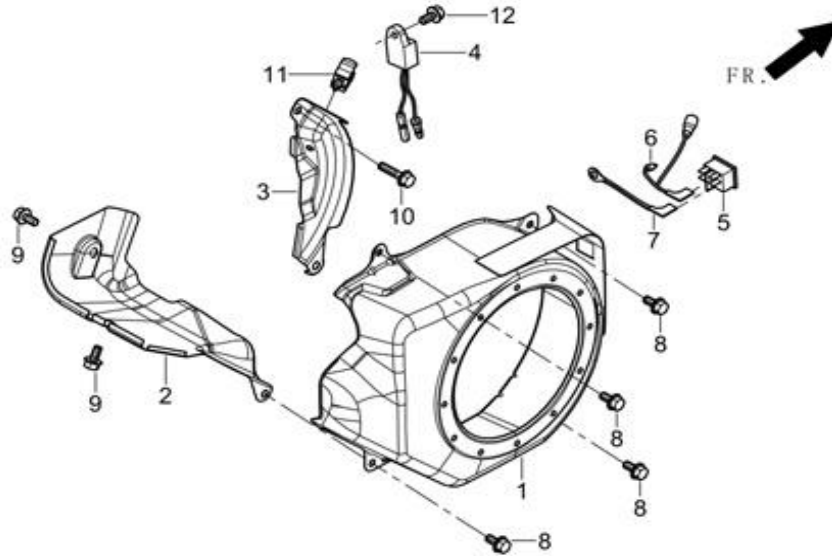
REF.NO	PART NO	DESCRIPTION	Q'TY	PART #
E05-1	14200-Z040110-0000	CAMSHAFT ASSY.	1	
E05-3	12121-Z010110-0000	VALVE, EXHAUST	1	
E05-4	12111-Z010110-0000	VALVE, INTAKE	1	
E05-5	12112-Z010110-0000	SEAT, VALVE SPRING	1	
E05-6	12107-Z010110-0000	RETAINER , EXHAUST VALVE	1	
E05-7	12104-Z010110-0000	ROTATOR, VALVE	2	
E05-8	12101-Z010110-0000	GUIDE, SEAL	1	
E05-9	14081-Z040110-0000	TAPPET, VALVE	2	
E05-10	14071-Z010110-0000	LIFTER, VALVE	2	
E05-11	14090-Z010110-0000	PLATE SUBASSEMBLY, LIFTER STOPPER	1	
E05-12	14313-Z010110-0000	BOLT, VALVE ADJUSTING	2	
E05-13	14311-Z010110-0000	ROCKER, VALVE	2	
E05-14	14314-Z010110-0000	NUT, VALVE ADJUSTING	2	
E05-15	14312-Z010110-0000	NUT, VALVE LOCK	2	
E05-16	12103-Z010110-0000	SPRING, VALVE	2	

FIG.7 STARTER,RECOIL (E08)



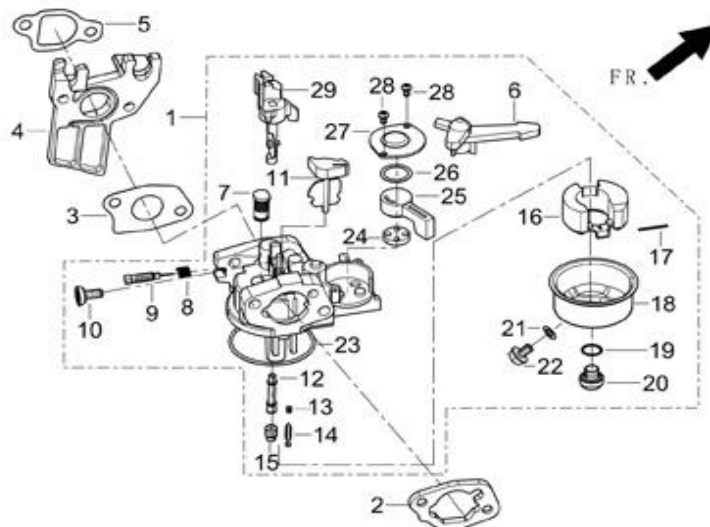
REF.NO	PART NO	DESCRIPTION	Q'TY	PART #
E08-11	90001-0612-03	BOLT	4	
E08-12	28102-Z010110-0000	CAP , RECOIL STARTER REEL END	1	
E08-13	28200-Z010110-Q200	STARTER ASSY, RECOIL(BLACK)	1	85.571.006

FIG.8 SHROUD / SHIELD,LOWER (E14)



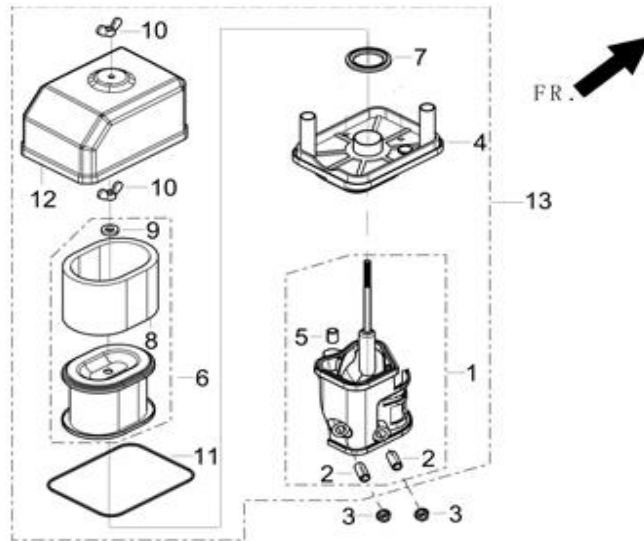
REF.NO	PART NO	DESCRIPTION	Q'TY	PART #
E14-1	28110-Z010110-H300	SHROUD(BLACK)	1	85.571.007
E14-2	19304-Z010110-0000	SHROUD, CYLINDER BODY	1	
E14-3	19340-Z010120-0000	SHIELD,LOWER	1	
E14-4	37050-Z010210-0000	PROTECTOR, OIL	1	85.571.003
E14-5	35540-Z010110-0000	SWITCH SUBASSEMBLY, STOP ENGINE	1	85.571.008
E14-6	35541-Z010110-0000	WIRE, STOP ENGINE	1	
E14-7	35555-Z010120-0000	WIRE, STOP ENGINE SWITCH GROUNDING	1	
E14-8	90001-0612-03	BOLT	4	
E14-9	90001-0610-01	BOLT	2	
E14-10	90001-0616-01	BOLT	1	
E14-11	90740-Z010110-0000	COLLAR	1	
E14-12	90001-0610-03	BOLT	1	

FIG.9 CARBURETOR ASSY. (E11)



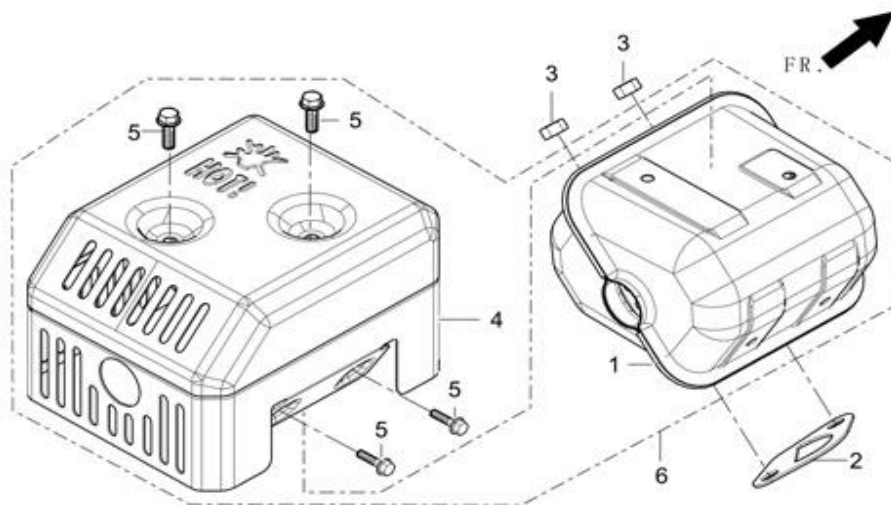
REF.NO	PART NO	DESCRIPTION	Q'TY	PART #
E11-1	16100-Z040610-0000	CARBURETOR ASSY.	1	
E11-2	17001-Z010210-0000	GASKET, AIR CLEANER	1	85.571.009
E11-3	16001-Z010110-0000	GASKET, CARBURETOR	1	
E11-4	16003-Z010110-0000	PLATE, CARBURETOR INSULATOR	1	
E11-5	16002-Z010110-0000	GASKET, CARBURETOR INSULATOR	1	

FIG.10 CLEANER, AIR (F02)



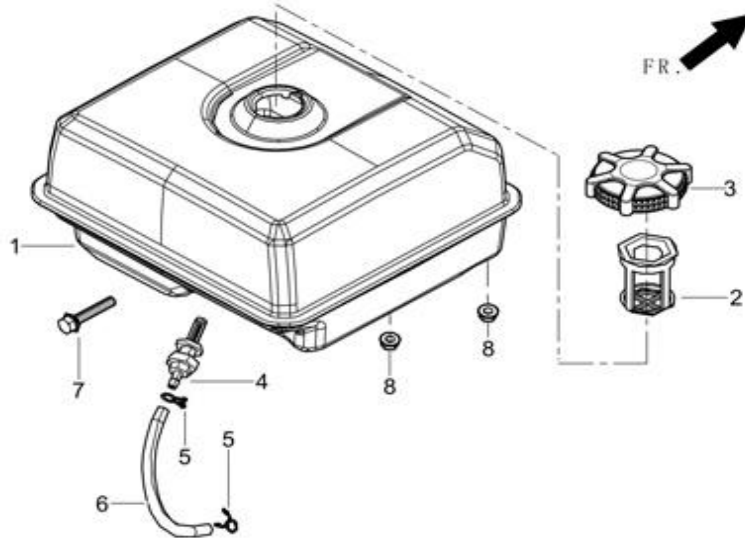
REF.NO	PART NO	DESCRIPTION	Q'TY	PART #
F02-3	90305-0600-33	NUT M6	2	
F02-6	17150-Z010110-0000	FILTER, AIR	1	85.571.015
F02-13	17100-Z010210-0000	CLEANER, AIR ASSEMBLY(BLACK)	1	85.571.010

FIG.11 MUFFLER ASSY. (F04)



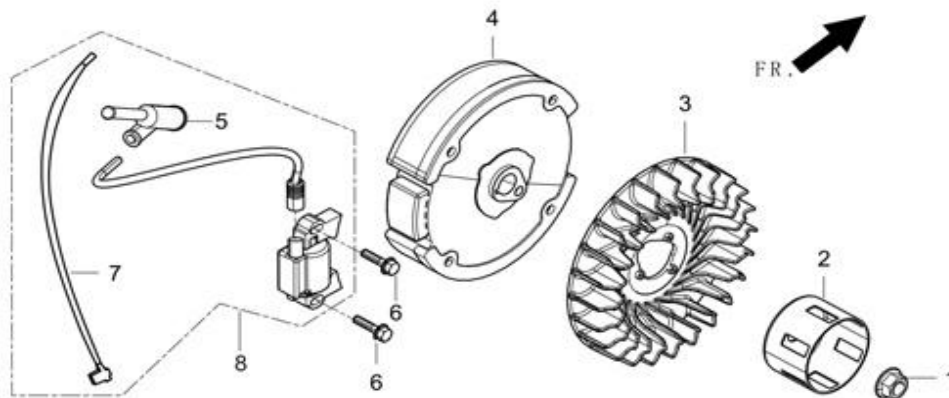
REF.NO	PART NO	DESCRIPTION	Q'TY	PART #
F04-2	18001-Z010110-0000	GASKET, EXHAUST OUTLET	1	85.571.011
F04-3	90303-0800-33	NUT M8	2	
F04-6	18100-Z010410-H300	MUFFLER ASSY.(BLACK)	1	

FIG.12 TANK ASSY, FUEL (F01)



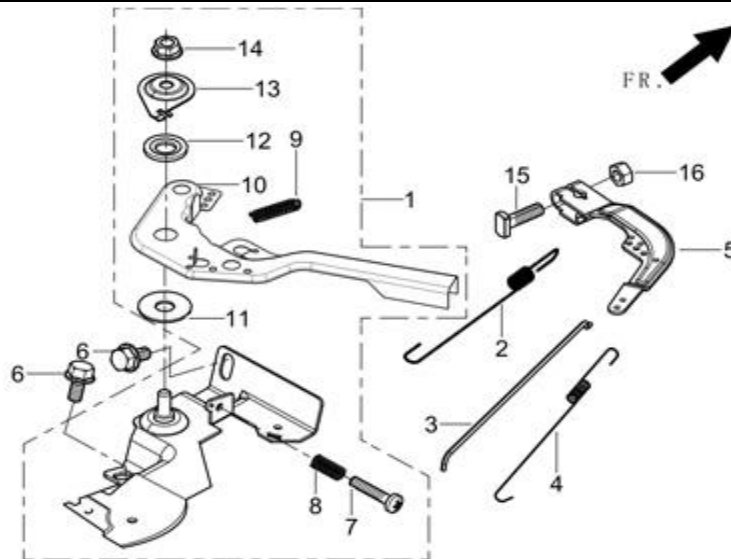
REF.NO	PART NO	DESCRIPTION	Q'TY	PART #
F01-1	16620-Z010210-H700	TANK, FUEL(YELLOW)	1	85.571.012
F01-2	16652-Z010110-0000	STRAINER , FUEL	1	
F01-3	16730-Z010210-0300	COVER, FUEL TANK(BLACK)	1	85.571.013
F01-4	16680-Z010110-0000	OUTLET SUBASSEMBLY, FUEL TANK OIL	1	
F01-5	90740-Z010210-0000	COLLAR	2	
F01-6	90686-Z010710-0000	TUBE, FUEL	1	
F01-7	90007-0632-01	BOLT	1	
F01-8	90305-0600-31	NUT M6	2	

FIG.13 FLYWHEEL / IMPELLER / STARTER PULLEY / IGNITION COIL (E15)



REF.NO	PART NO	DESCRIPTION	Q'TY	PART #
E15-1	13501-Z010110-0000	NUT, FLYWHEEL	1	
E15-2	28002-Z010120-0000	PULLEY,STARTER	1	
E15-3	19352-Z010210-0000	IMPELLER	1	
E15-4	13510-Z010110-0000	FLYWHEEL SUBASSEMBLY	1	
E15-6	90001-0625-01	BOLT	2	
E15-8	30400-Z010210-0000	COIL, IGNITION	1	85.571.014

FIG.14 CONTROL ASSY, THROTTLE (E13)



REF.NO	PART NO	DESCRIPTION	Q'TY	PART #
E13-1	16520-Z010220-0000	CONTROL ASSY, THROTTLE	1	
E13-2	16063-Z010110-0000	SPRING, GOVERNOR	1	
E13-3	16062-Z010110-0000	ROD, GOVERNOR	1	
E13-4	16012-Z010110-0000	SPRING, THROTTLE VALVE RETURNING	1	
E13-5	16070-Z010110-0000	SUPPORT SUBASSEMBLY, GOVERNOR	1	
E13-6	90001-0610-01	BOLT	2	
E13-15	16072-Z010110-0000	BOLT, GOVERNOR SUPPORT	1	
E13-16	90305-0600-31	NUT	1	