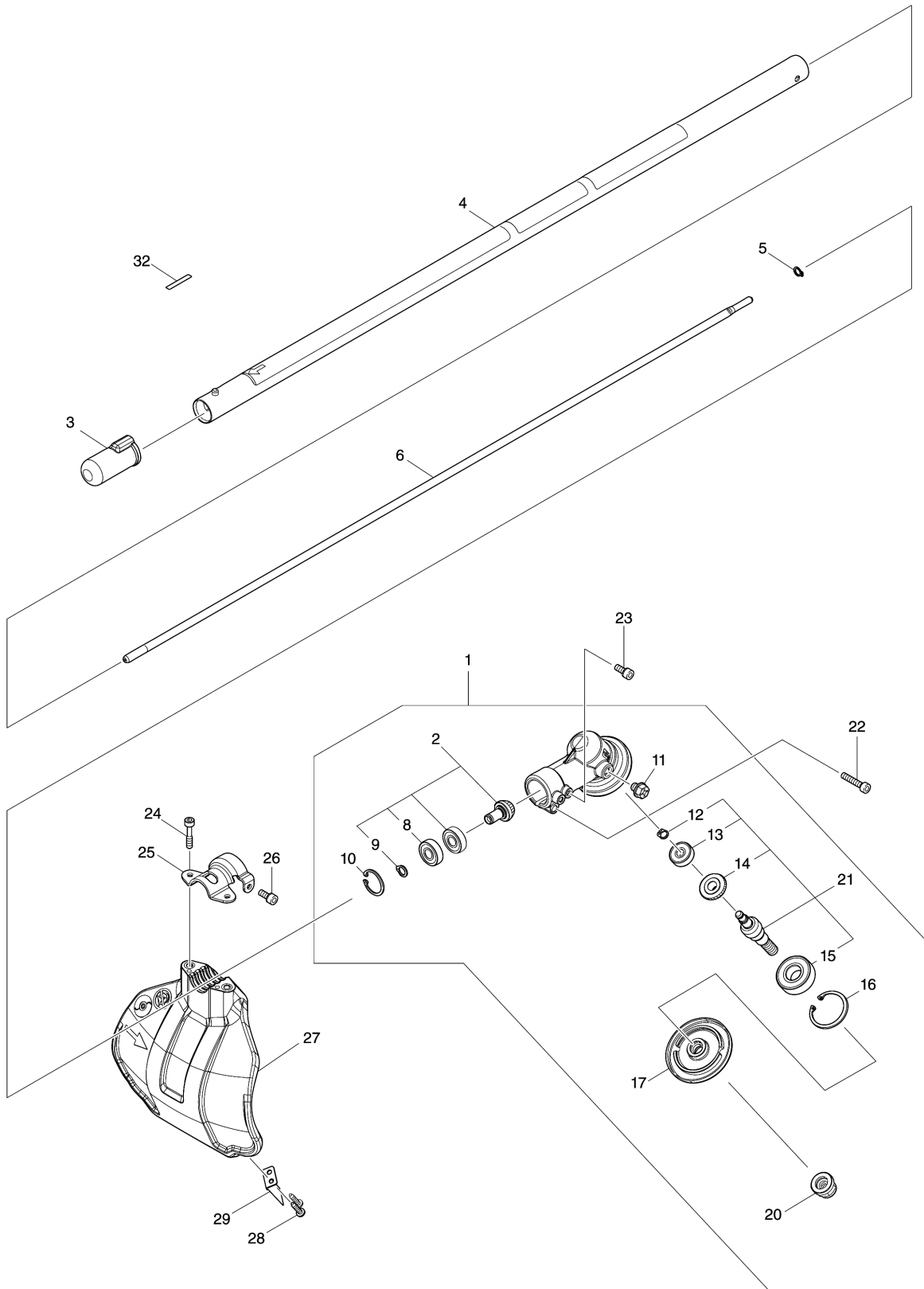


Model No.EM409MP GRASS TRIMMER ATTACHMENT



Model No.EM409MP GRASS TRIMMER ATTACHMENT

Item	Parts No.	Description	I/C	QTY	New/Old	Opt. 1	Opt. 2	NOTE
001	127710-5	GEAR CASE ASSEMBLY US		1				
D10		INC. 2,10,11,16,17,20,21						
002	136374-4	SPIRAL BEVEL GEAR ASS'Y		1				
D10		INC. 8,9						
003	424434-7	CAP 24		1				
004	140Y73-2	SHAFT PIPE A COMPLETE D		1				
C10	819312-8	MAKITA LOGO LABEL		1				
C20	8025K9-3	CAUTION LABEL		1				
C30	8025L5-8	SOUND 103DB91DB LABEL		1				
005	961003-8	RETAINING RING S-7		1				
006	327723-8	SHAFT A		1				
008	210157-1	BALL BEARING 609ZZ		2				
009	259071-6	RETAINING RING (EXT) S-9		1				
010	259072-4	RETAINING RING (INT)R-24		1				
011	265590-2	+HEX.BOLT M8X10 WITH R		1				
012	259070-8	RETAINING RING (EXT) S-7		1				
013	210030-5	BALL BEARING 627ZZ		1				
014	226988-8	SPIRAL BEVEL GEAR 19		1				
015	211228-7	BALL BEARING 6202DDW		1				
016	259069-3	RETAINING RING (INT) R-35		1				
017	140N88-3	RECEIVE WASHER COMPLETE		1				
020	252236-9	HEX. LOCK NUT M10-17		1				
021	136375-2	CUTTER SHAFT ASS'Y		1				
D10		INC. 12-15						
022	922242-5	HEX. SOCKET HEAD BOLT M5X25		1				
023	922216-6	HEX. SOCKET HEAD BOLT M5X14		1				
024	251513-6	H.S.H.BOLT M5X25		2				
025	347107-4	PROTECTOR CLAMP 24		1				
026	922216-6	HEX. SOCKET HEAD BOLT M5X14		1				
027	412968-2	PROTECTOR N 330		1				
028	266326-2	TAPPING SCREW 4X18		2				
029	346855-2	CUTTER		1				
032	814A82-0	DATE CODE LABEL		1				
A01	782238-6	BOX WRENCH 17		1				
A02	191D89-4	TRIMMER HEAD 96-M10L SET		1				

Please order the parts with part number.

Print Date 1/22/2021

