

Catch Fasteners 700 Series

701L, 701L-ASS

MATERIAL

701L - Cold Rolled Steel

701L-ASS - 316 Stainless Steel

FINISH

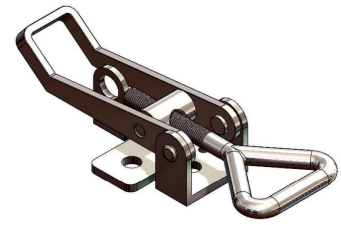
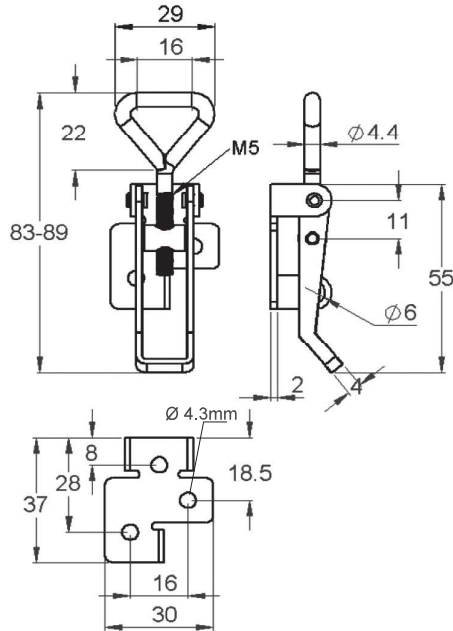
Zinc Plated and Stainless Steel available
(Electrolytic Brightening)

WEIGHT

41g

FEATURES

Padlockable



Catch Fasteners 700 Series

701S, 701S-ASS

MATERIAL

701S - Cold Rolled Steel

701S-ASS - 316 Stainless Steel

FINISH

Zinc Plated and Stainless Steel available
(Electrolytic Brightening)

WEIGHT

36g

