

## Catch Fasteners 700 Series 702L, 702L-ASS

### MATERIAL

702L - Cold Rolled Steel  
702L-ASS - 316 Stainless Steel

### FINISH

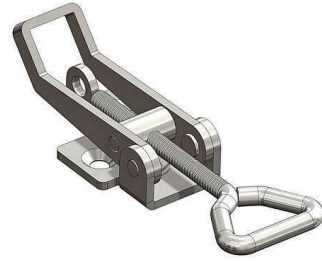
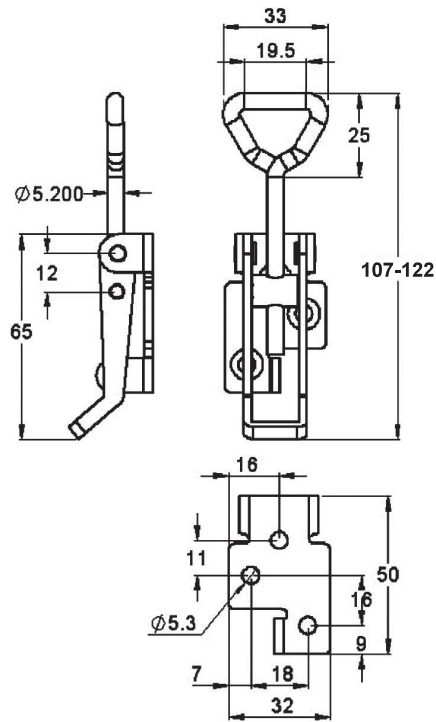
Zinc Plated and Stainless Steel available  
(Electrolytic Brightening)

### WEIGHT

80g

### FEATURES

Padlockable



## Catch Fasteners 700 Series 702S, 702S-ASS

### MATERIAL

702S - Cold Rolled Steel  
702S-ASS - 316 Stainless Steel

### FINISH

Zinc Plated and Stainless Steel available  
(Electrolytic Brightening)

### WEIGHT

72g

