

## Catch Fasteners 700 Series

### 703L

**MATERIAL**

Cold Rolled Steel

**FINISH**

Zinc Plated

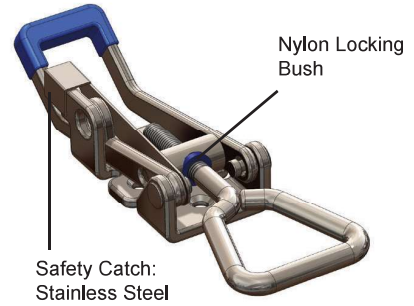
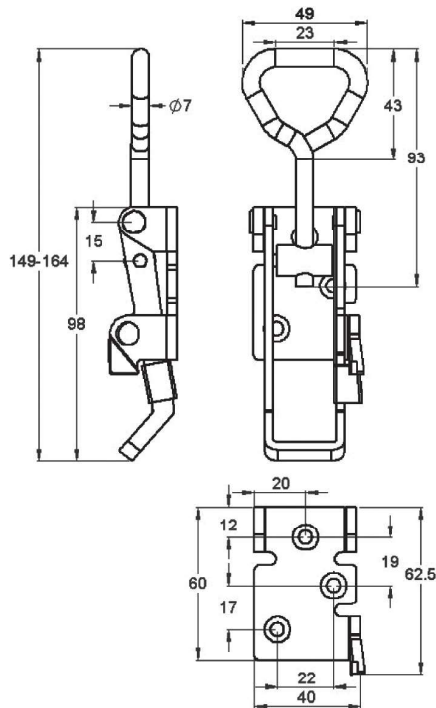
**WEIGHT**

201g

**FEATURES**

S/S Safety Catch  
Padlockable

Suits Strikers 41Z and 22Z



## Catch Fasteners 700 Series

### 703RL, 703RL-ASS

**MATERIAL**

703RL - Cold Rolled Steel

703RL-ASS - 316 Stainless Steel

**FINISH**

Zinc Plated and Stainless Steel available  
(Electrolytic Brightening)

**WEIGHT**

200g

**FEATURES**

Padlockable

Suits Strikers 22Z, 41Z

