



autolamps

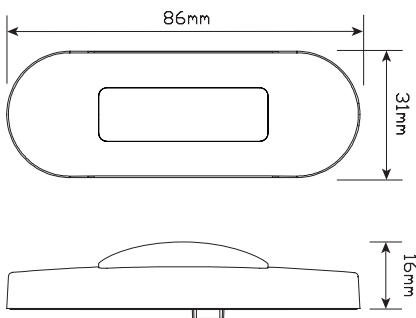
NEW PRODUCT AUGUST 2016 Red/Amber Side Marker



Inactive

Active

- Popular 86 Series Range
- ADR Approved
- Stainless Steel Bezel
- Low profile only 16mm
- IP67 100% Water Proof
- 5 Year Warranty



Part No. 86ARM

Specifications		
Part No	86ARM	86ARMB
Barcode	9335962018529	9335962020201
Package	Blister	Bulk
Function	Side Marker	Side Marker
Approvals	ADR	ADR
LED Qty	2	2
Voltage	12-24 Volt	12-24 Volt
Warranty	5 Years	5 Years
Cable	15cm	15cm
Lens	Polycarbonate	Polycarbonate
Bezel	Stainless	Stainless

All enquiries P: (03) 9466 7075, E: led@ledtech.com.au, www.ledautolamps.com

DISCLAIMER - LED Technologies Pty. Ltd. have made every effort to ensure that the information is correct and accurate at the time of printing. Print Date August 2016

**Clear lens
Coloured LEDs
Chrome surround**

- Popular truck style
- Low profile
- 5 Year warranty



Part Number
86RM - Multivolt 12-24, Blister single
86RMB - Multivolt 12-24, Bulk poly bag

Function Rear end outline marker
Size 86mm x 31mm x 10mm
Voltage Multivolt 12-24V
LED Qty 3
Cable 15cm cable
Draw @13.8V @28V
TBA TBA

Approvals ADR/ECE	Function	Category	CRN
	Rear end	49/00	TBA



Part Number
86AM - Multivolt 12-24, Blister single
86AMB - Multivolt 12-24, Bulk poly bag

Function Side marker
Size 86mm x 31mm x 10mm
Voltage Multivolt 12-24V
LED Qty 3
Cable 15cm cable
Draw @13.8V @28V
TBA TBA

Approvals ADR/ECE	Function	Category	CRN
	Side	74/00	TBA



Part Number
86WM - Multivolt 12-24, Blister single
86WMB - Multivolt 12-24, Bulk poly bag

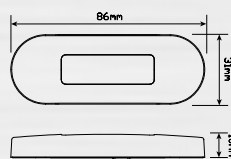
Function Front end outline marker
Size 86mm x 31mm x 10mm
Voltage Multivolt 12-24V
LED Qty 3
Cable 15cm cable
Draw @13.8V @28V
TBA TBA

Approvals ADR/ECE	Function	Category	CRN
	Front end	49/00	TBA

Fitting Instructions

Surface mount horizontally.
Remove stainless steel bezel and fit with screw, then clip bezel back into place. Please refer to ADR 13/00 for mounting instructions.

Technical Drawings



Blister Packaging

