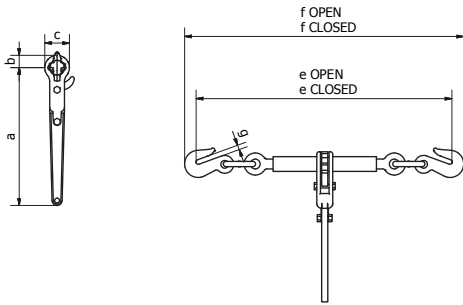


### BEAVER GRADE 70 RATCHET TYPE LOADBINDERS

Yellow Painted Finish – to AS/NZS 4344

Code	Chain Size and Description	f Closed mm	e Closed mm	g mm	b mm	a mm	f Open mm	e Open mm	c mm	LC (Kg)	Weight (Kg)	UOM
344006	6mm c/w winged eye grab hooks*	459	415	9.5	21	205	572	528	42	2300	1.69	Each
344008	7-8mm c/w winged eye grab hooks*	638	583	11	32.5	350	799	744	65	3800	4.7	Each
344010	10mm c/w winged eye grab hooks*	671	603	12	32.5	350	836	768	65	6000	5.1	Each
344013	13mm c/w winged eye grab hooks*	776	690	15	32.5	350	946	860	65	9000	7.18	Each



GRADE 70 LASHINGS & FITTINGS ARE NOT TO BE USED FOR LIFTING PURPOSES

\* NOTE: The use of some grab hooks or systems incorporating grab hooks cause bending to occur on the link of lashing chain to which the grab hook is engaged. The bending and shearing effect of the hook reduces the strength of the chain by 25 percent and as such, the lashing capacity (LC) of this type of system must be reduced by 25 percent as prescribed in Australian Standard AS/NZS 4344

NOT APPROVED FOR LIFTING