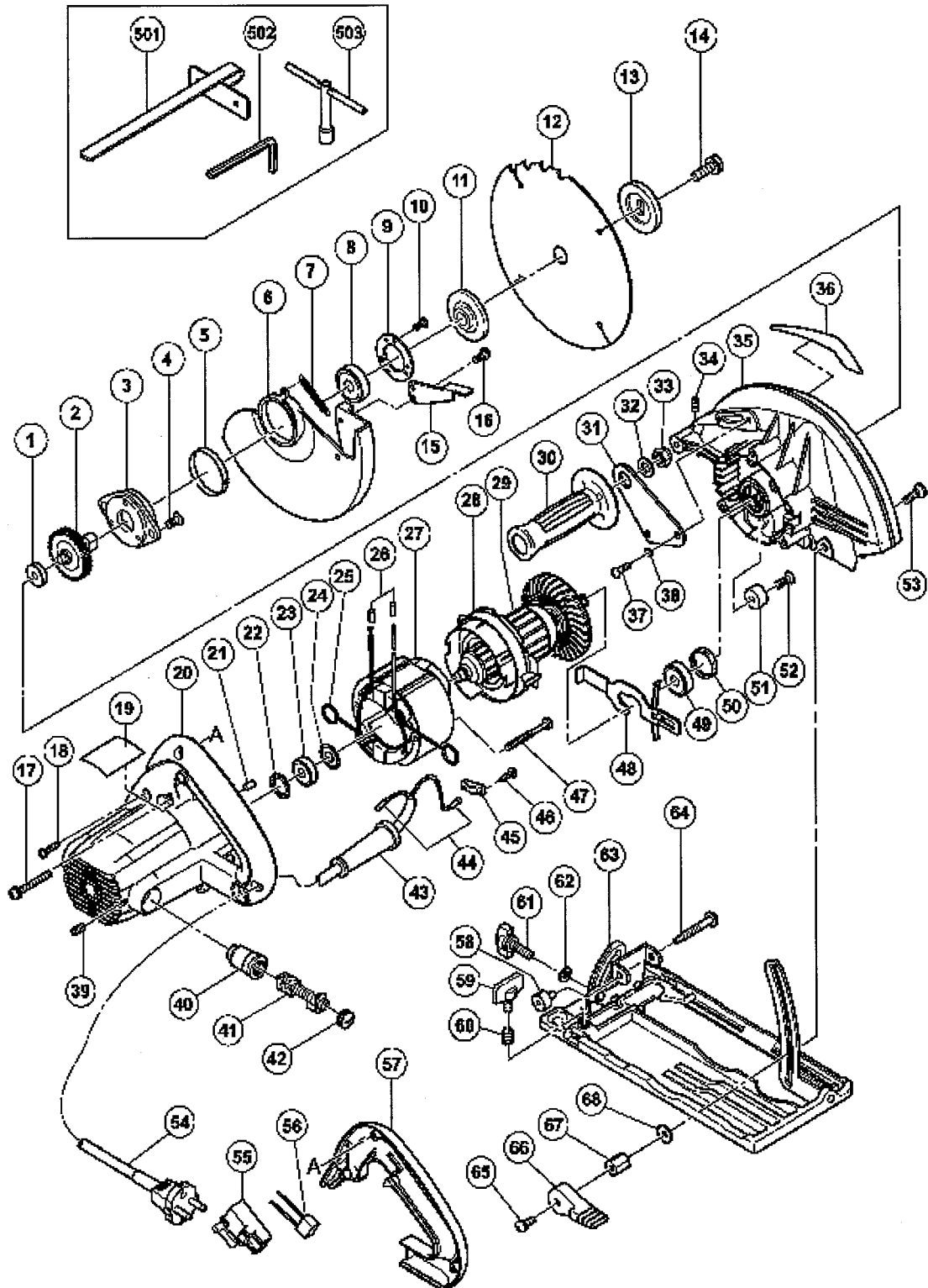


ELECTRIC TOOL PARTS LIST

CIRCULAR SAW
Model C 7MFA

2005 · 1 · 10
(E1)



PARTS

C7MFA

ITEM No.	CODE No.	DESCRIPTION	No. USED	REMARKS	
1	963-803	METAL	1		
2	322-088	SPINDLE AND GEAR SET	1		
3	308-361	BEARING HOLDER	1		
4	305-568	SEAL LOCK FLAT HD. SCREW M5X12	2		
5	318-192	BUSHING	1		
6	323-921	LOWER GUARD	1		
7	302-442	RETURN SPRING	1		
8	600-2VV	BALL BEARING 6002VVCMP2L	1		
9	308-362	BEARING COVER	1		
10	308-773	SEAL LOCK FLAT HD. SCREW M3X12	3		
*	11	323-928	WASHER (A)	1	
*	11	322-099	WASHER (A)	1	FOR NZL,AUS
*	12	323-894	TCT SAW BLADE 190MM-D30 HOLE-NT40	1	
*	12	323-893	TCT SAW BLADE 190MM-D20 HOLE-NT40	1	FOR NZL,AUS
13	323-924	WASHER (B)	1		
14	957-749	BOLT (W/WASHER) M7X17.5	1		
15	302-464	KNOB	1		
16	304-043	MACHINE SCREW (W/WASHERS) M4X10 (BLACK)	1		
17	302-434	MACHINE SCREW (W/WASHERS) M5X45 (BLACK)	3		
18	301-653	TAPPING SCREW (W/FLANGE) D4X20 (BLACK)	3		
19		NAME PLATE	1		
*	20	323-929	HOUSING ASS'Y (GREEN)	1	INCLUD.39,40
*	20	323-930	HOUSING ASS'Y (OFF BLACK GREEN)	1	INCLUD.39,40 FOR FRA
21	931-701	BEARING LOCK	1		
22	316-394	THRUST WASHER	1		
23	608-VVM	BALL BEARING 608VVC2PS2L	1		
24	982-631	WASHER (A)	1		
25	930-703	BRUSH TERMINAL	2		
26	981-373	TUBE (D)	2	FOR CORD	
*	27	340-614C	STATOR ASS'Y 110V	1	INCLUD.25
*	27	340-614E	STATOR ASS'Y 230V	1	INCLUD.25
*	27	340-614F	STATOR ASS'Y 240V	1	INCLUD.25
28	322-002	FAN GUIDE	1		
*	29	360-694C	ARMATURE 110V	1	
*	29	360-694E	ARMATURE 230V	1	
*	29	360-694F	ARMATURE 240V	1	
30	323-925	SIDE HANDLE ASS'Y	1	INCLUD.31-33	
31	323-926	PLATE	1		
32	949-458	SPRING WASHER M10 (10 PCS.)	1		

*:ALTERNATIVE PARTS

PARTS

C7MFA

ITEM No.	CODE No.	DESCRIPTION	No. USED	REMARKS
33	323-927	CAP NUT M10	1	
34	962-782	HEX. SOCKET SET SCREW M5X6	1	
35	323-919	GEAR COVER ASS'Y	1	INCLUD.50-52
36		HITACHI LABEL	1	
37	949-237	MACHINE SCREW M5X12 (10 PCS.)	2	
38	949-454	SPRING WASHER M5 (10 PCS.)	2	
39	938-477	HEX. SOCKET SET SCREW M5X8	2	
40	957-051	BRUSH HOLDER	2	
41	999-043	CARBON BRUSH (1 PAIR)	2	
42	935-829	BRUSH CAP	2	
43	953-327	CORD ARMOR D8.8	1	
44	981-373	TUBE (D)	2	
45	937-631	CORD CLIP	1	
46	984-750	TAPPING SCREW (W/FLANGE) D4X16	2	
47	953-174	HEX. HD. TAPPING SCREW D5X55	2	
48	307-918	LOCK LEVER	1	
49	600-0VV	BALL BEARING 6000VVCMP2L	1	
50	318-647	RUBBER RING	1	
51	961-729	CUSHION	1	
52	949-794	FLAT HD. SCREW M6X20 (10 PCS.)	1	
53	942-808	BOLT (SQUARE) M6X20	1	
* 54	500-234Z	CORD	1	(CORD ARMOR D8.8)
* 54	500-247Z	CORD	1	(CORD ARMOR D8.8) FOR FIN,NOR,SWE,DEN
* 54	500-439Z	CORD	1	(CORD ARMOR D8.8) FOR NZL,AUS
* 54	500-447Z	CORD	1	(CORD ARMOR D8.8) FOR SUI
* 54	500-435Z	CORD	1	(CORD ARMOR D8.8) FOR GBR (230V)
* 54	500-237Z	CORD	1	(CORD ARMOR D8.8) FOR GBR (110V)
55	963-756Z	SWITCH (2P PILLAR TYPE) W/SAFETY LOCK	1	
56	930-039	NOISE SUPPRESSOR	1	
* 57	323-931	HANDLE COVER (GREEN)	1	
* 57	323-932	HANDLE COVER (OFF BLACK GREEN)	1	FOR FRA
58	315-253	SLEEVE	1	
59	307-898	WING BOLT M6X18	1	
60	941-056	SPRING	1	
61	307-937	WING BOLT (A)	1	
62	948-167	SUPER LOCK WASHER M6	1	
63	323-920	BASE ASS'Y	1	INCLUD.59-62
64	315-183	ADJUSTING SCREW (A)	1	
65	322-260	SEAL LOCK SCREW (W/SP. WASHERS) M6X14	1	

*:ALTERNATIVE PARTS

PARTS

C7MFA

ITEM No.	CODE No.	DESCRIPTION	No. USED	REMARKS
66	323-923	LEVER (A)	1	
67	323-922	LOCK NUT	1	
68	320-975	WASHER	1	

STANDARD ACCESSORIES

ITEM No.	CODE No.	DESCRIPTION	No. USED	REMARKS
501	302-756	GUIDE	1	
502	990-666	HEX. BAR WRENCH 2.5MM	1	
503	940-543	BOX WRENCH 10MM	1	
601	302-981	DUST COLLECTOR SET (D)	1	
602	954-619	CORD HANGER	1	