

UES INTL PTY LTD POSITION HINGE - DTH50

ENTRY HARDWARE

Material:

Nylon, Black.

Design:

Heavy duty, low profile design

Load Performance:

Maximum Static Load: 460N

Hardware:

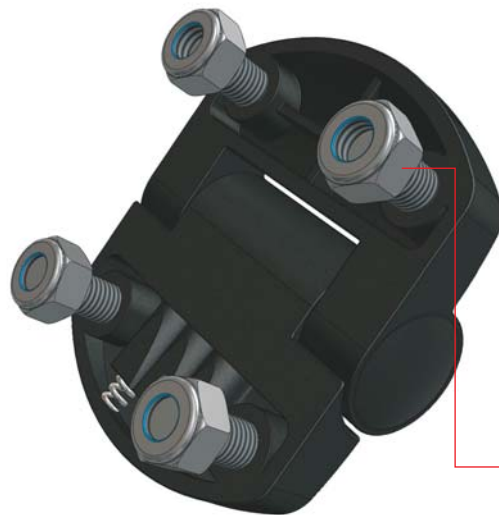
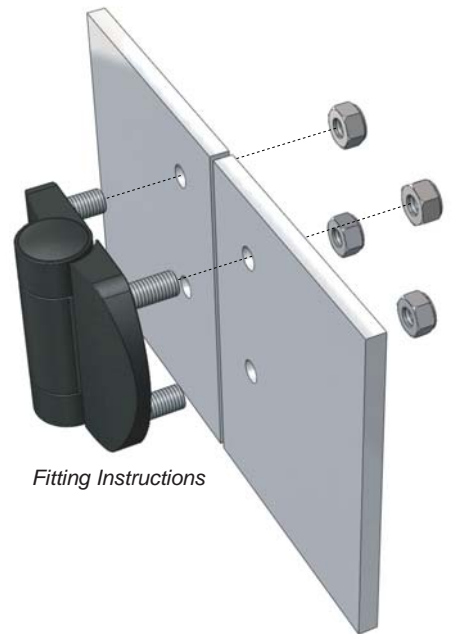
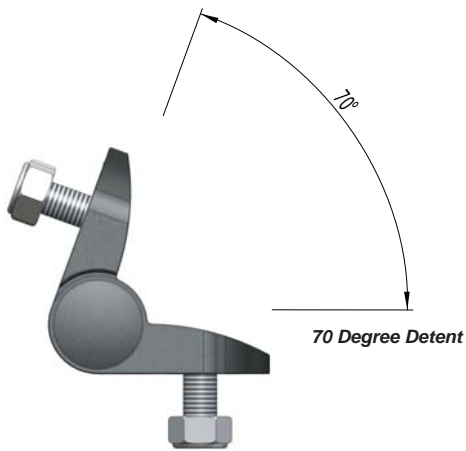
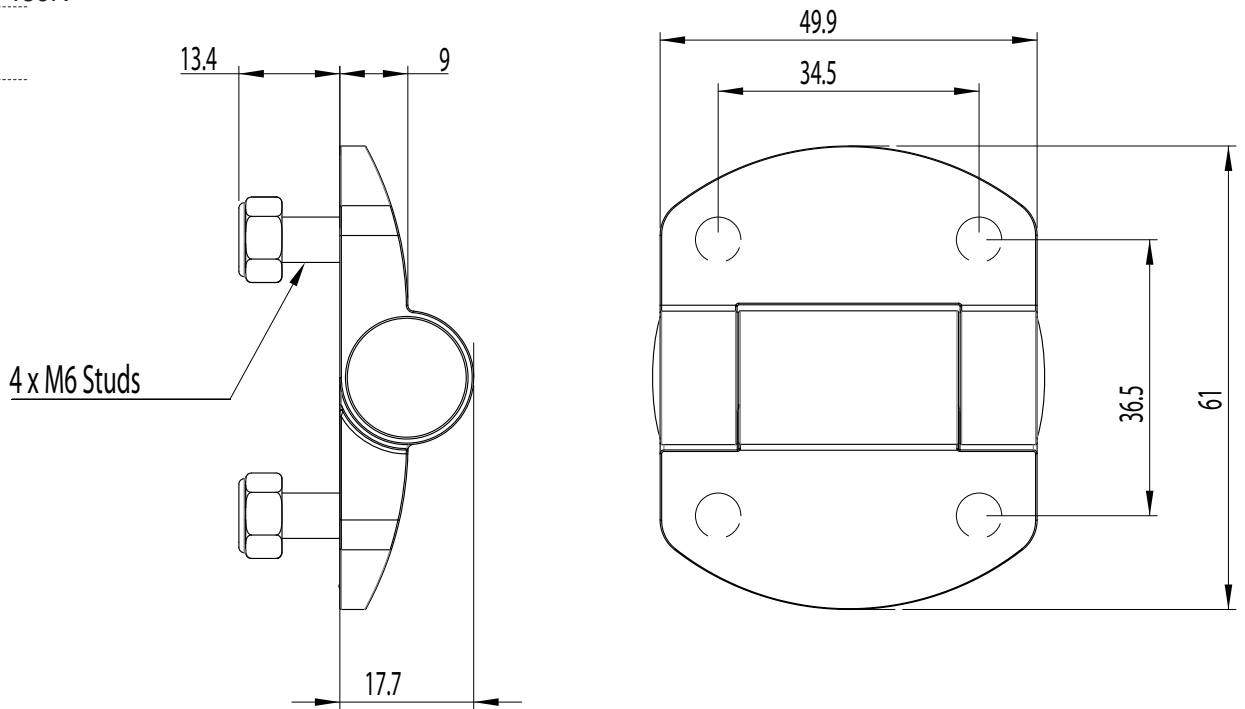
Inbuilt M6 screw studs

Torque Rating:

1.1Nm

Included In UES C6 Kit -

- 1• DTH50 Hinge
- 2• 4 x M6 Nylock Nuts



Inbuilt m6 screws for mounting ease