



# SILIGUN DRIPLESS RODLESS PATENTED DURABLE

Rodless Compact 4" GUN FOR TUBE SILICONE

info site: [www.siligun.com.au](http://www.siligun.com.au)

## THE SMALLEST SILICONE GUN IN THE WORLD

Siligun is the easiest way to seal small gaps and cracks. The compact size is designed to reach tight corners and difficult working angles.

### FEATURES & BENEFITS:

- World first **rodless** design
- Allows for trimming of spent cartridge
- Nozzle position is fixed
- On board nozzle unblocking tool
- Ease of use

### GUN SUITABILITY:

The Siligun can be used with  $\varnothing 50\text{mm}$  cartridges & provides high thrust **12:1 ratio**

Ideal for the following general purpose applications

- **Silicone**
- **Construction adhesive**
- **Gap filler**

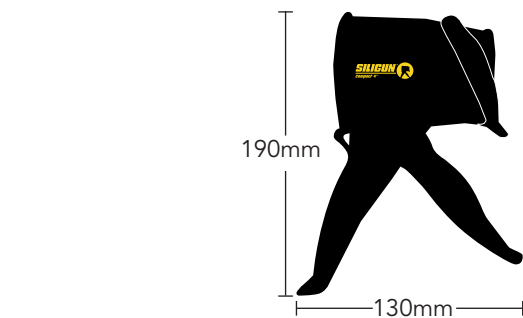


### SPECIFICATIONS

LENGTH: APPROX. 4" (10CM)

WEIGHT: APPROX. 0.69KG

The Siligun is made of strong ABS for extra durability. The surface offers a comfortable grip and is easy to clean.



unblocking tool



hanging hook

clutch

handle

## EASY TO OPERATE

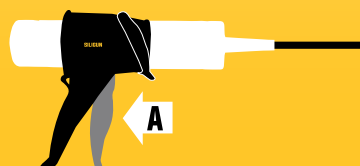
### SET UP

- OPEN THE SILICONE TUBE
- PRESS THE CLUTCH
- INSERT TUBE UNTIL IT LOCKS



### APPLICATION

- PRESS THE HANDLE
- SILICONE WILL BE RELEASED
- RELEASE TO STOP FLOW



### TUBE REMOVAL

- PRESS THE CLUTCH
- PUSH THE BACK OF TUBE
- REMOVE THE TUBE



THE SMALLEST SILICONE GUN IN THE WORLD  
info site: [www.siligun.com.au](http://www.siligun.com.au)



11 Venture Way BRAESIDE Victoria  
☎ (03) 9580 7877  
[www.powerdc.com.au](http://www.powerdc.com.au)